



Chipsmall Limited consists of a professional team with an average of over 10 year of expertise in the distribution of electronic components. Based in Hongkong, we have already established firm and mutual-benefit business relationships with customers from,Europe,America and south Asia,supplying obsolete and hard-to-find components to meet their specific needs.

With the principle of “Quality Parts,Customers Priority,Honest Operation,and Considerate Service”,our business mainly focus on the distribution of electronic components. Line cards we deal with include Microchip,ALPS,ROHM,Xilinx,Pulse,ON,Everlight and Freescale. Main products comprise IC,Modules,Potentiometer,IC Socket,Relay,Connector.Our parts cover such applications as commercial,industrial, and automotives areas.

We are looking forward to setting up business relationship with you and hope to provide you with the best service and solution. Let us make a better world for our industry!



Contact us

Tel: +86-755-8981 8866 Fax: +86-755-8427 6832

Email & Skype: info@chipsmall.com Web: www.chipsmall.com

Address: A1208, Overseas Decoration Building, #122 Zhenhua RD., Futian, Shenzhen, China





RLY3-OSSD2

ReLy

SAFETY RELAYS

SICK
Sensor Intelligence.



Illustration may differ



Ordering information

Type	Part no.
RLY3-OSSD2	1085344

Other models and accessories → www.sick.com/ReLy

Detailed technical data

Safety-related parameters

Safety integrity level	SIL3 (IEC 61508) SILCL3 (IEC 62061)
Category	Category 4 (EN ISO 13849)
Performance level	PL e (EN ISO 13849)
B_{10d} parameter	3 x 10 ⁵ switching operations (AC-15, 230 V, I = 1 A), 9 x 10 ⁴ switching operations (AC-15, 230 V, I = 5 A), 2 x 10 ⁵ switching operations (DC-13, 24 V, I = 1 A), 6 x 10 ⁴ switching operations (DC-13, 24 V, I = 5 A)
PFH_D (mean probability of a dangerous failure per hour)	1,0 x 10 ⁻⁹ (EN ISO 13849)
T_M (mission time)	20 years (EN ISO 13849)

Functions

Sensor monitoring	Discrepancy monitoring Sequence monitoring
Reset	Automatic Manual

Interfaces

Connection type	Plug-in spring terminals
Number of enable current (N/O) contacts	2, relevant for safety

Electrical data

Operating data

Voltage supply	PELV or SELV
Supply voltage V_S	24 V DC (16.8 V DC ... 30 V DC)
Residual ripple	≤ 2.4 V _{pp} ¹⁾
Power consumption (input circuits)	≤ 1.3 W
Overvoltage category	III

¹⁾ In DC operation, within the limits of V_S.

Rated impulse withstand voltage U_{imp}	6 kV (EN 60664-1)
---	-------------------

¹⁾ In DC operation, within the limits of V_S .

Input circuits

Input voltage	HIGH	24 V DC (11 V DC ... 30 V DC)
	LOW	-3 V DC ... 5 V DC
Input current	4 mA ... 6 mA	
Test pulse width	≤ 1 ms	
Test frequency	≤ 10 Hz	

Control outputs

Type of output	PNP semiconductor, short-circuit protected
Test period	40 ms

Output circuits

Type of output	PNP semiconductors, short-circuit protected
Output current	≤ 120 mA

Electrical output circuits

Typical response time	10 ms	
Contact material	Silver alloy, gold flashed	
Enable current contacts	Switching voltage	10 V DC ... 250 V DC
	Current-carrying capacity per OSSD	10 mA ... 6 A
Total current	≤ 12 A	
Mechanical life	10 x 10 ⁶ switching operations	

Mechanical data

Dimensions (W x H x D)	18 mm x 124.6 mm x 85.5 mm
Weight	130 g

Ambient data

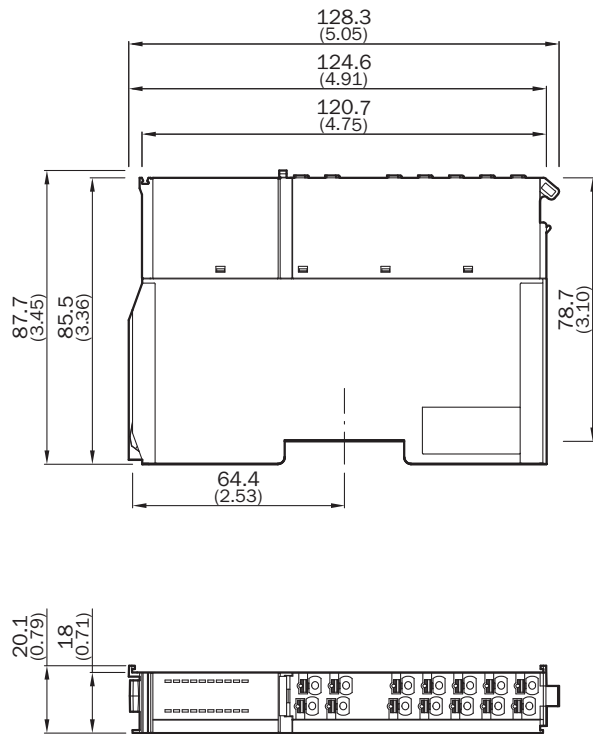
Enclosure rating	IP20 (EN 60529)
-------------------------	-----------------

Classifications

ECl@ss 5.0	27371990
ECl@ss 5.1.4	27371990
ECl@ss 6.0	27371819
ECl@ss 6.2	27371819
ECl@ss 7.0	27371819
ECl@ss 8.0	27371819
ECl@ss 8.1	27371819
ECl@ss 9.0	27371819
ETIM 5.0	EC001449
ETIM 6.0	EC001449
UNSPSC 16.0901	41113704

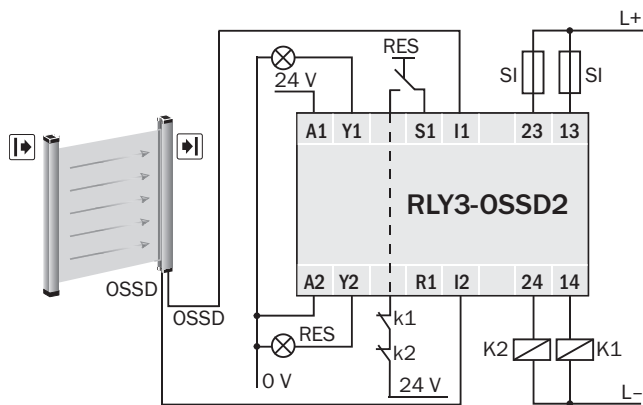
Dimensional drawing (Dimensions in mm (inch))

ReLy

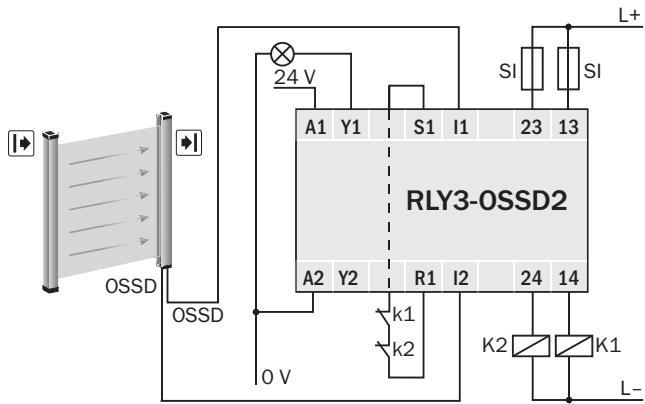


Connection diagram

RLY3-OSSD2 at safety light curtain with manual reset and external device monitoring



RLY3-OSSD2 at safety light curtain with automated reset and external device monitoring



SICK AT A GLANCE

SICK is one of the leading manufacturers of intelligent sensors and sensor solutions for industrial applications. A unique range of products and services creates the perfect basis for controlling processes securely and efficiently, protecting individuals from accidents and preventing damage to the environment.

We have extensive experience in a wide range of industries and understand their processes and requirements. With intelligent sensors, we can deliver exactly what our customers need. In application centers in Europe, Asia and North America, system solutions are tested and optimized in accordance with customer specifications. All this makes us a reliable supplier and development partner.

Comprehensive services complete our offering: SICK LifeTime Services provide support throughout the machine life cycle and ensure safety and productivity.

For us, that is “Sensor Intelligence.”

WORLDWIDE PRESENCE:

Contacts and other locations www.sick.com