



Chipsmall Limited consists of a professional team with an average of over 10 year of expertise in the distribution of electronic components. Based in Hongkong, we have already established firm and mutual-benefit business relationships with customers from,Europe,America and south Asia,supplying obsolete and hard-to-find components to meet their specific needs.

With the principle of "Quality Parts,Customers Priority,Honest Operation,and Considerate Service",our business mainly focus on the distribution of electronic components. Line cards we deal with include Microchip,ALPS,ROHM,Xilinx,Pulse,ON,Everlight and Freescale. Main products comprise IC,Modules,Potentiometer,IC Socket,Relay,Connector.Our parts cover such applications as commercial,industrial, and automotives areas.

We are looking forward to setting up business relationship with you and hope to provide you with the best service and solution. Let us make a better world for our industry!



Contact us

Tel: +86-755-8981 8866 Fax: +86-755-8427 6832

Email & Skype: info@chipsmall.com Web: www.chipsmall.com

Address: A1208, Overseas Decoration Building, #122 Zhenhua RD., Futian, Shenzhen, China



PART NAME

RAK-MOUNT CHASSIS

PART No.

RM-14212 TO RM-14215 & RM-14222 TO RM-14225

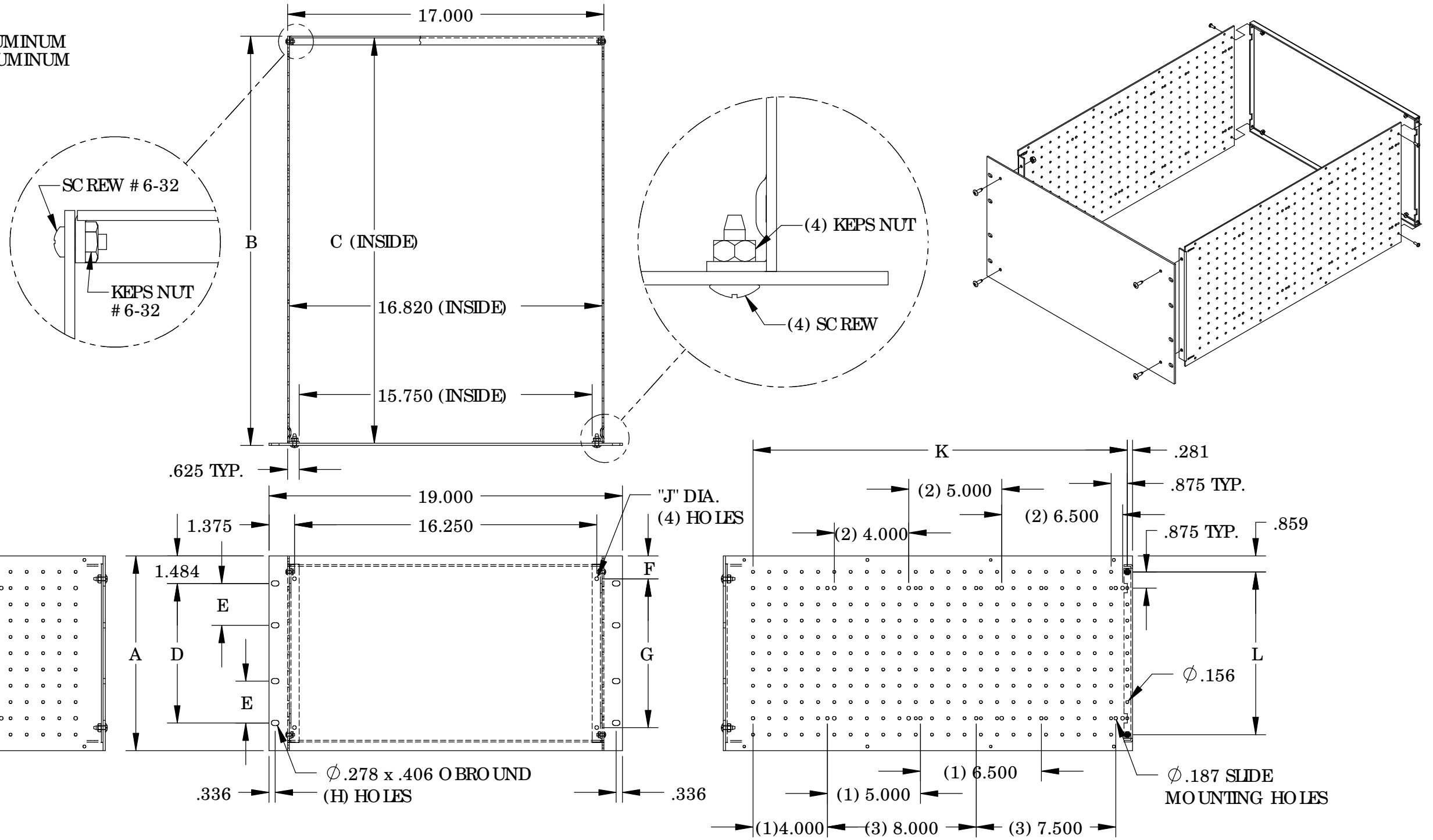
REVISION DATE

3-1-06

MATERIAL:
 FRONT PANEL _____ 0.120 THICK ALUMINUM
 SIDE & REAR PANEL _____ 0.090 THICK ALUMINUM

FINISH:
 ALL PARTS _____ NATURAL

UNIT SHIPPED UNASSEMBLED IN KIT FORM.



PARTNO.	A	B	C	D	E	F	G	H	J	K	L	M
RM-14212	5.218	17.187	16.969	2.250	----	0.859	3.500	4	0.281	15.750	3.500	4.281
RM-14213	6.968	17.187	16.969	4.000	----	1.484	4.000	4	0.203	15.750	5.250	6.031
RM-14214	8.718	17.187	16.969	5.750	----	1.359	6.000	4	0.203	15.750	7.000	7.781
RM-14215	10.468	17.187	16.969	7.500	2.250	1.234	8.000	8	0.203	15.750	8.750	9.531
RM-14222	5.218	22.000	21.781	2.250	----	0.859	3.500	4	0.281	20.125	3.500	4.281
RM-14223	6.968	22.000	21.781	4.000	----	1.484	4.000	4	0.203	20.125	5.250	6.031
RM-14224	8.718	22.000	21.781	5.750	----	1.359	6.000	4	0.203	20.125	7.000	7.781
RM-14225	10.468	22.000	21.781	7.500	2.250	1.234	8.000	8	0.203	20.125	8.750	9.531

NOTES:

- (1) SLIDE MOUNTING LOCATION FOR # AS-5002.
- (2) SLIDE MOUNTING LOCATION FOR # AS-5002 ON # RM-14222 THRU # RM-14225 ONLY.
- (3) SLIDE MOUNTING LOCATION FOR # AS-5004 ON # RM-14222 THRU # RM-14225 ONLY.
- (4) # RM-14212 & # RM-14222 USES 1/4-20 HARDWARE ALL OTHER PARTS USE # 10-32 HARDWARE