



Chipsmall Limited consists of a professional team with an average of over 10 year of expertise in the distribution of electronic components. Based in Hongkong, we have already established firm and mutual-benefit business relationships with customers from,Europe,America and south Asia,supplying obsolete and hard-to-find components to meet their specific needs.

With the principle of “Quality Parts,Customers Priority,Honest Operation,and Considerate Service”,our business mainly focus on the distribution of electronic components. Line cards we deal with include Microchip,ALPS,ROHM,Xilinx,Pulse,ON,Everlight and Freescale. Main products comprise IC,Modules,Potentiometer,IC Socket,Relay,Connector.Our parts cover such applications as commercial,industrial, and automotives areas.

We are looking forward to setting up business relationship with you and hope to provide you with the best service and solution. Let us make a better world for our industry!



## Contact us

Tel: +86-755-8981 8866 Fax: +86-755-8427 6832

Email & Skype: info@chipsmall.com Web: www.chipsmall.com

Address: A1208, Overseas Decoration Building, #122 Zhenhua RD., Futian, Shenzhen, China



# RM Series Subminiature Rotary Switches



## Features/Benefits

- Subminiature design saves space
- Screwdriver slot or extended shaft
- Positive detent
- RoHS compliant

## Typical Applications

- Audio & visual equipment
- Consumer electronics
- Telecom equipment

## Specifications

CONTACT RATING: 0.5A 24 V DC; 0.2A 48 V DC  
 OPERATING LIFE: 2,000 cycles  
 INSULATION RESISTANCE: 100 M  $\Omega$  min. 500 V DC  
 DIELECTRIC STRENGTH: 500 V AC for 1 minute  
 OPERATING FORCE: 270  $\pm$  100 gf cm  
 OPERATING TEMPERATURE: -40°C to 85°C

## Materials

COVER: PA66  
 BASE: PA6T  
 ACTUATOR: PA66  
 CONTACTS & TERMINALS: Brass with gold plate over nickel plate  
 SPRING: Brass

**NOTE:** Specifications and materials listed above are for switches with standard options.  
 For information on specific and custom switches, consult Customer Service Center.

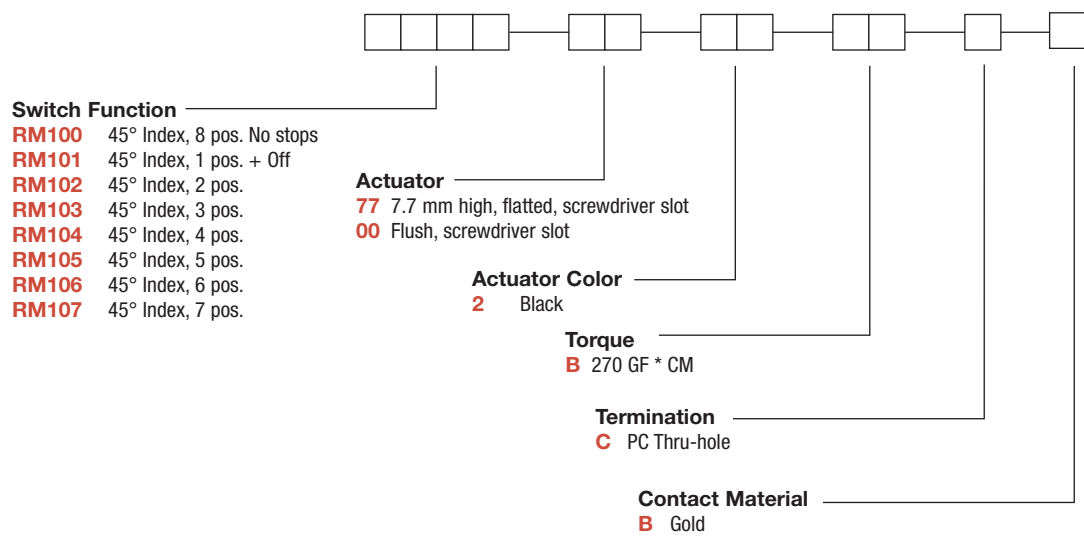
## Build-A-Switch

To order, simply select desired option from each category and place in the appropriate box. Available options are shown and described on pages K-30 thru K-32. For additional options not shown in catalog, consult Customer Service Center.



K

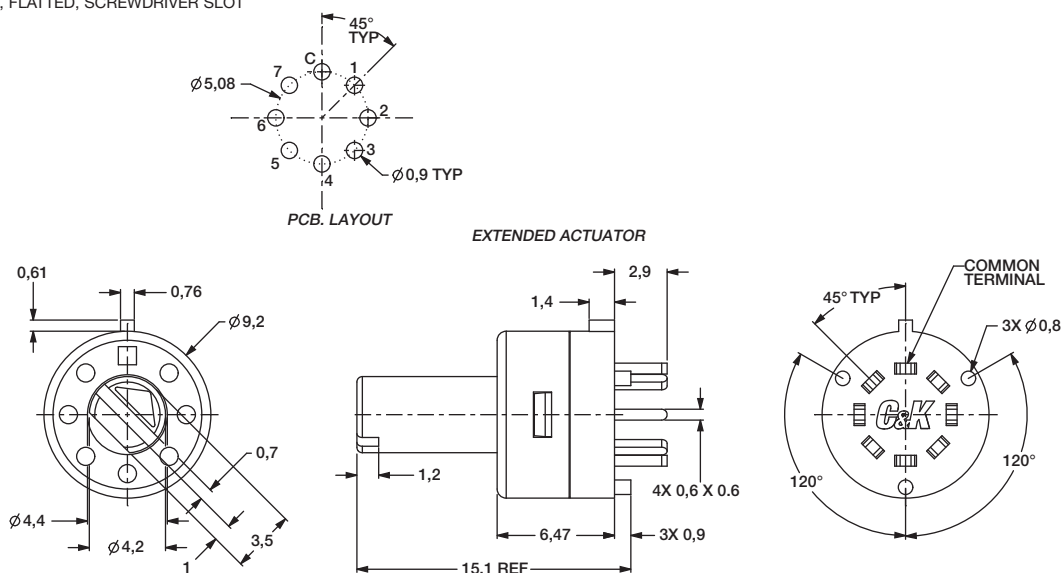
Rotary



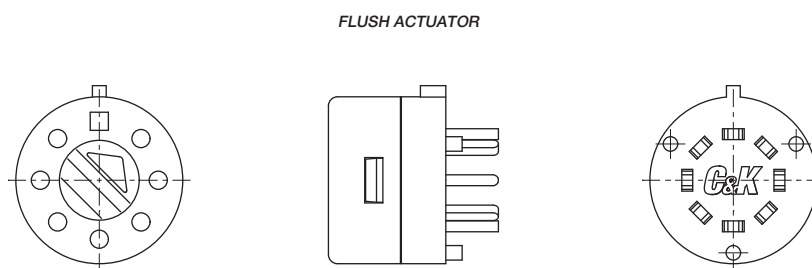
Dimensions are shown: mm  
 Specifications and dimensions subject to change

# RM Series Subminiature Rotary Switches

**77** 7.7 MM HIGH, FLATTED, SCREWDRIVER SLOT

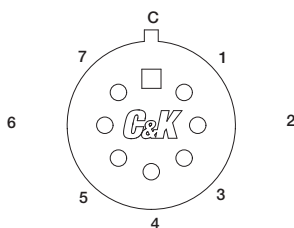


**00** FLUSH, SCREWDRIVER SLOT



ELECTRICAL SCHEMATIC - RM SERIES SWITCHES								
SWITCH FUNCTION	TRAVEL POSITION 0°	TRAVEL POSITION 45°	TRAVEL POSITION 90°	TRAVEL POSITION 135°	TRAVEL POSITION 180°	TRAVEL POSITION 225°	TRAVEL POSITION 270°	TRAVEL POSITION 315°
RM100	C-C(OFF)	C-1	C-2	C-3	C-4	C-5	C-6	C-7
RM101	C-C(OFF)	X	X	X	X	X	X	C-7
RM102	X	C-1	C-2	X	X	X	X	X
RM103	X	C-1	C-2	C-3	X	X	X	X
RM104	X	C-1	C-2	C-3	C-4	X	X	X
RM105	X	C-1	C-2	C-3	C-4	C-5	X	X
RM106	X	C-1	C-2	C-3	C-4	C-5	C-6	X
RM107	X	C-1	C-2	C-3	C-4	C-5	C-6	C-7

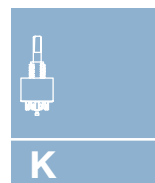
TERMINAL ID NUMBERS ARE SHOWN FOR REFERENCE ONLY AND ARE NOT MARKED ON BOTTOM OF THE SWITCH



EXTERIOR KEY TAB SHOWN IDENTIFIES "C" (COMMON TERMINAL)



Dimensions are shown: mm  
Specifications and dimensions subject to change

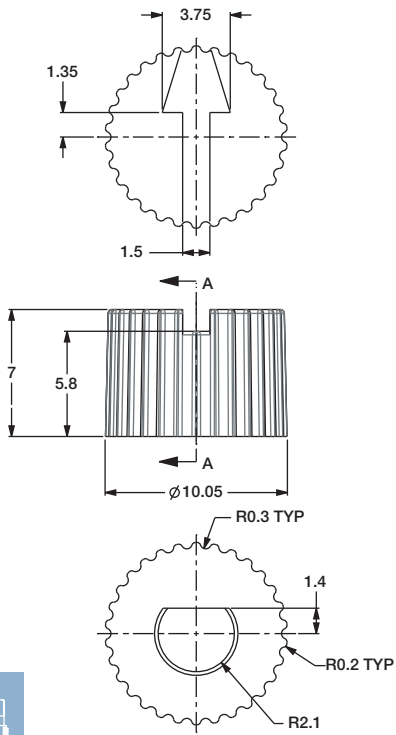


Rotary

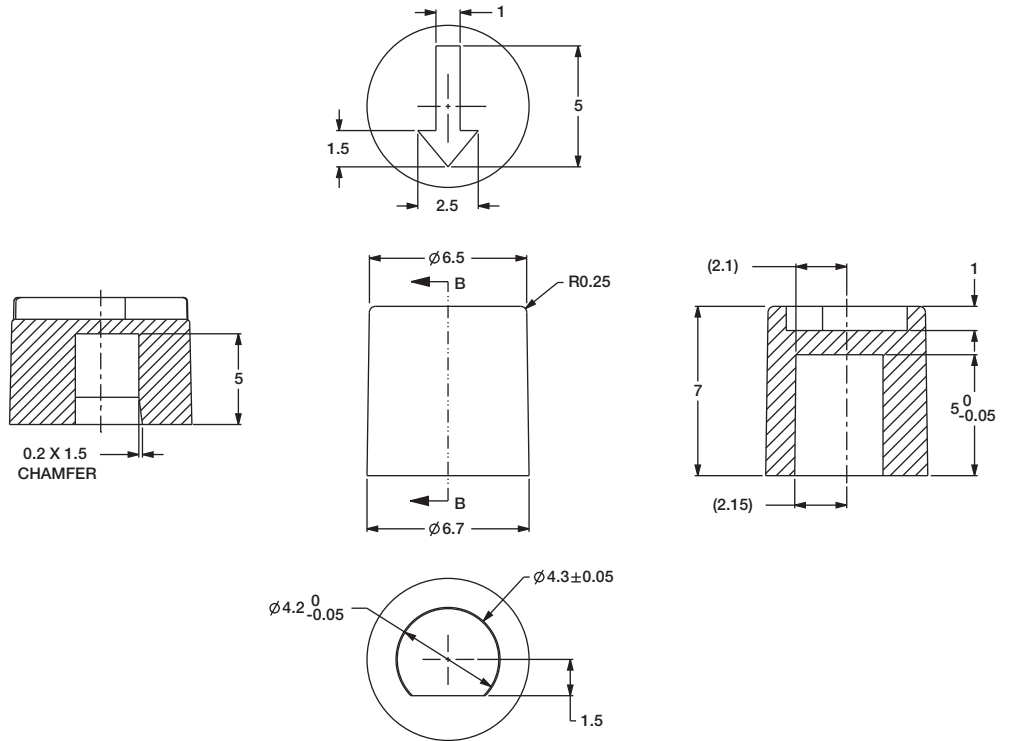
# RM Series Subminiature Rotary Switches

## KNOBS

297F02000



296F02000



K

Rotary