



Chipsmall Limited consists of a professional team with an average of over 10 year of expertise in the distribution of electronic components. Based in Hongkong, we have already established firm and mutual-benefit business relationships with customers from,Europe,America and south Asia,supplying obsolete and hard-to-find components to meet their specific needs.

With the principle of “Quality Parts,Customers Priority,Honest Operation,and Considerate Service”,our business mainly focus on the distribution of electronic components. Line cards we deal with include Microchip,ALPS,ROHM,Xilinx,Pulse,ON,Everlight and Freescale. Main products comprise IC,Modules,Potentiometer,IC Socket,Relay,Connector.Our parts cover such applications as commercial,industrial, and automotives areas.

We are looking forward to setting up business relationship with you and hope to provide you with the best service and solution. Let us make a better world for our industry!



## Contact us

Tel: +86-755-8981 8866 Fax: +86-755-8427 6832

Email & Skype: info@chipsmall.com Web: www.chipsmall.com

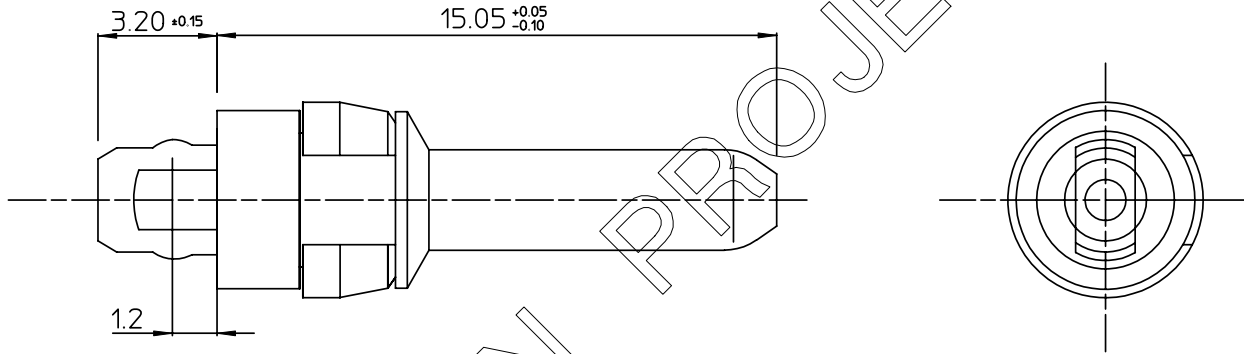
Address: A1208, Overseas Decoration Building, #122 Zhenhua RD., Futian, Shenzhen, China



DIT IS ONZE EIGENDOM EN MAG NOCH NAGEMAAKT, HERDRUKT, OVERGEMAAKT AAN DERDEN, NOCH VOOR FABRIKATIE GEBRUIKT WORDEN, ZONDER ONZE SCHRIFTELIJKE TOELATING. BIJ NIET GEBRUIK IS DE TERUGZENDE VERPLICHT.

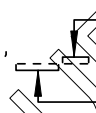
THIS IS OUR EXCLUSIVE PROPERTY. IT IS NOT TO BE COPIED, REPRINTED OR DISCLOSED TO A THIRD PARTY, NOR USED FOR MANUFACTURING WITHOUT OUR WRITTEN CONSENT, AND HAS TO BE RETURNED TO US IN CASE OF NO USAGE

REV.	DATE	DESCRIPTION	BY	C 'K' D'
A	14-01-02	BZ0007	MFRET	
B	04-06-52	105-0091	ALEX B	BKP
C	21-06-06	106-0080	VIVEK	BKP



**NOTE:**

1. FOR MISSING INFO SEE DRAWING BS,C ,201624,028
2. THIS PRODUCT (LF) MEETS EUROPEAN UNION DIRECTIVES AND OTHER COUNTRY REGULATIONS AS DESCRIBED IN GS-22-008
3. LEAD FREE INDICATOR : LF = LEAD FREE



PLATING CODE (REF DWG No. BS,C ,201624,028)

PERFORMANCE CHARACTERISTICS:

- \*MIN. PRESS-FIT RETENTION FORCE : 20N
- \*MAX. CURRENT: 40 A
- \*ALLOWED PCB THICKNESS : MIN. 1.8 mm.
- \*MAX. CONTACT RESISTANCE: 5 mΩ


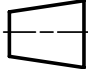

RECOMMENDED PLATED THROUGH HOLE:

- \*DRILLED HOLE : Ø 3.19 - 3.25 mm.
- \*FINISHED HOLE : Ø 3.02 - 3.20 mm.
- \*Cu PLATING : 25 µm MIN.
- \*Sn/SnPb PLATING : 5 µm MIN.

C

BS,A ,201624,032

GEN. ST.	01	02	03	04	05	06	07	08	0D	50	60	70	80	90																	
INT. ST.	10	11	12	13	14	18	20	31	32	33	34	38	39	40	42	43	44	45	46	48	56	70	72	73	75	76	81	82	83	84	88

1DEC ±0,2 2DEC ±0,1 ANGLES ±1°	<b>APPR.</b>	<b>DATE</b>	<b>SIGN.</b>	MPACS STR HDR PRESS-FIT POWER CONT Fm/Lb
	DRAFT	05-12-01	M.Fret	<b>CAT. No.</b> RM12PIE63-----
WE RESERVE THE RIGHT TO CHANGE DIMENSIONS OR REQUIREMENTS WITHOUT PRIOR NOTICE.	CHECKED			 <a href="http://www.fciconnect.com">www.fciconnect.com</a>
	PROD. MGR.			
	PR. ENG. MGR.			
ALL DIMENSIONS IN MM	PR. MGT. MGR.			
<b>REFERENCES</b>				
				BS,A ,201624,032
			DRAWING NR.	CUSTOMER DRAWING
			REVISION	

CADAM