



Chipsmall Limited consists of a professional team with an average of over 10 year of expertise in the distribution of electronic components. Based in Hongkong, we have already established firm and mutual-benefit business relationships with customers from,Europe,America and south Asia,supplying obsolete and hard-to-find components to meet their specific needs.

With the principle of “Quality Parts,Customers Priority,Honest Operation,and Considerate Service”,our business mainly focus on the distribution of electronic components. Line cards we deal with include Microchip,ALPS,ROHM,Xilinx,Pulse,ON,Everlight and Freescale. Main products comprise IC,Modules,Potentiometer,IC Socket,Relay,Connector.Our parts cover such applications as commercial,industrial, and automotives areas.

We are looking forward to setting up business relationship with you and hope to provide you with the best service and solution. Let us make a better world for our industry!



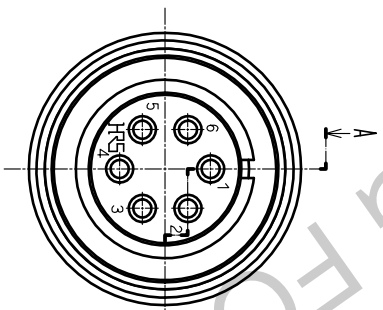
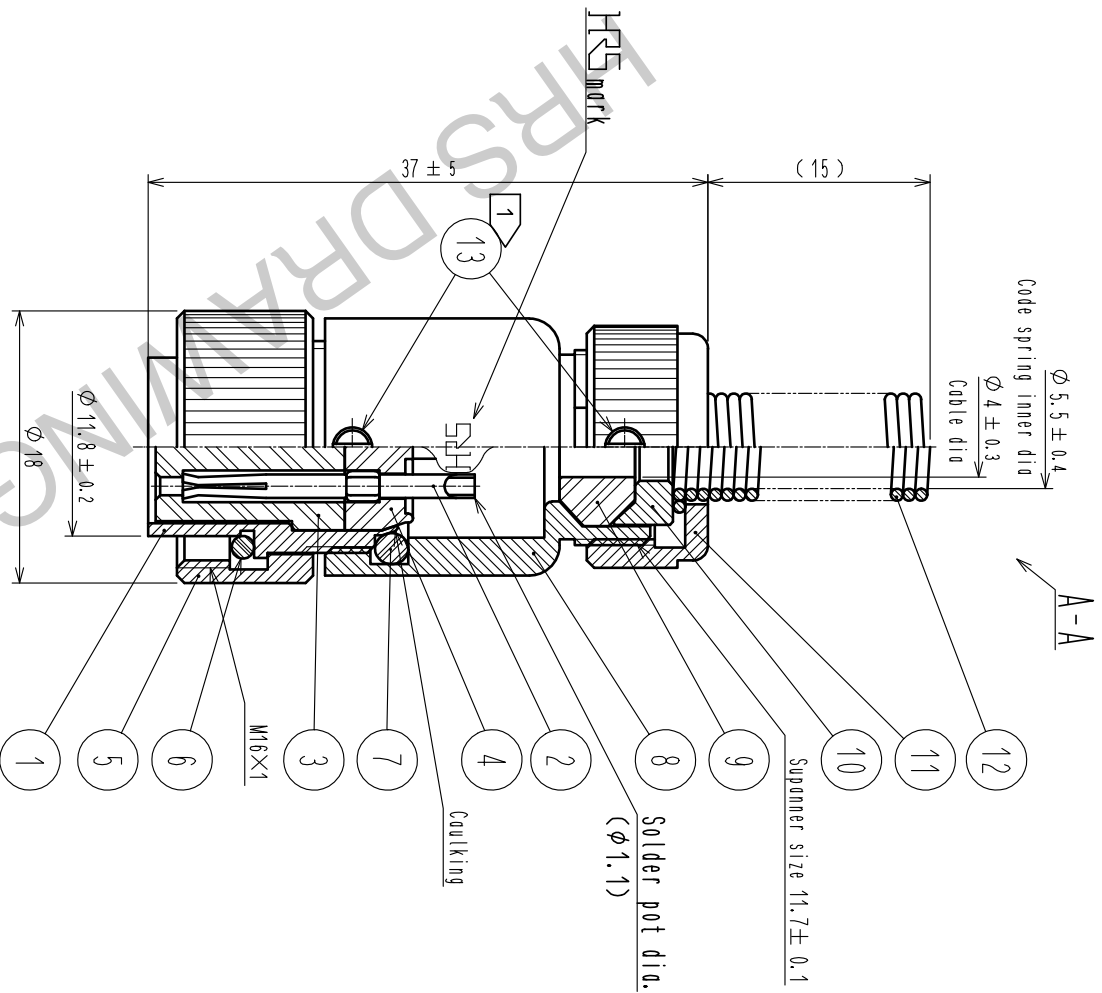
Contact us

Tel: +86-755-8981 8866 Fax: +86-755-8427 6832

Email & Skype: info@chipsmall.com Web: www.chipsmall.com

Address: A1208, Overseas Decoration Building, #122 Zhenhua RD., Futian, Shenzhen, China





Notes ① The recommended clamp torque of ref. No. ⑬ : 2 to 3 N · m.
 LOCTITE 243, HENKEL JAPAN or equivalent is recommended to prevent from loosening.
 2 The rotation of ref. No. ⑧ and ref. No. ⑬ to ref. No. ① is shown.
 3 The cable pull and twisting strength, waterproof tightness and other characteristics may differ, depending on the cable structure.
 Please confirm before the use.

6	CHLOROPRENE RUBBER (BLACK)	13	BRASS	NICKEL PLATING
5	BRASS	12	PHOSPHOR BRONZE	NICKEL PLATING
4	PPS (BLACK)	11	BRASS	NICKEL PLATING
3	PPS (BLACK)	10	BRASS	NICKEL PLATING
2	COPPER ALLOY	9	CHLOROPRENE RUBBER (BLACK)	
1	BRASS	8	BRASS	NICKEL PLATING
	MATERIAL	7	CHLOROPRENE RUBBER (BLACK)	
				FINISH . REMARKS

UNITS	SCALE	COUNT	DESCRIPTION OF REVISIONS	DESIGNED	CHECKED	DATE
mm	2 : 1					

APPROVED : HY. KOBAYASHI	18.02.22	DRAWING NO.	EDC-008307-31-00
CHECKED : HY. KOBAYASHI	18.02.22	PART NO.	RM12WTP E-6S-(4)(31)
DESIGNED : HY. KISHI	18.02.21	CODE NO.	CL109-1092-0-31
DRAWN : MK. INOUE	18.02.07		