



Chipsmall Limited consists of a professional team with an average of over 10 year of expertise in the distribution of electronic components. Based in Hongkong, we have already established firm and mutual-benefit business relationships with customers from,Europe,America and south Asia,supplying obsolete and hard-to-find components to meet their specific needs.

With the principle of “Quality Parts,Customers Priority,Honest Operation,and Considerate Service”,our business mainly focus on the distribution of electronic components. Line cards we deal with include Microchip,ALPS,ROHM,Xilinx,Pulse,ON,Everlight and Freescale. Main products comprise IC,Modules,Potentiometer,IC Socket,Relay,Connector.Our parts cover such applications as commercial,industrial, and automotives areas.

We are looking forward to setting up business relationship with you and hope to provide you with the best service and solution. Let us make a better world for our industry!



## Contact us

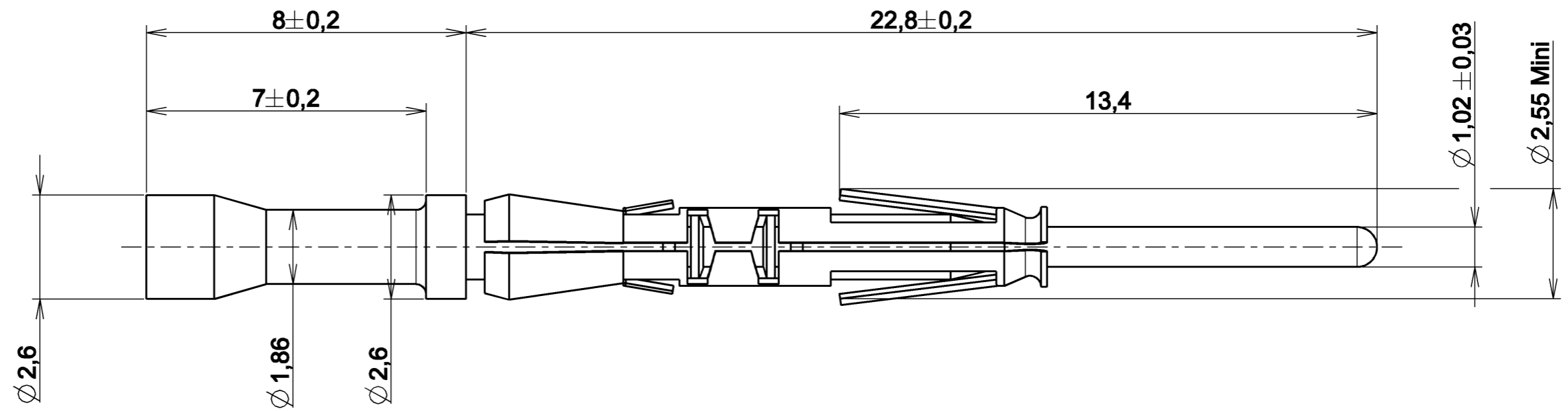
Tel: +86-755-8981 8866 Fax: +86-755-8427 6832

Email & Skype: info@chipsmall.com Web: www.chipsmall.com

Address: A1208, Overseas Decoration Building, #122 Zhenhua RD., Futian, Shenzhen, China



a : 1 : RL

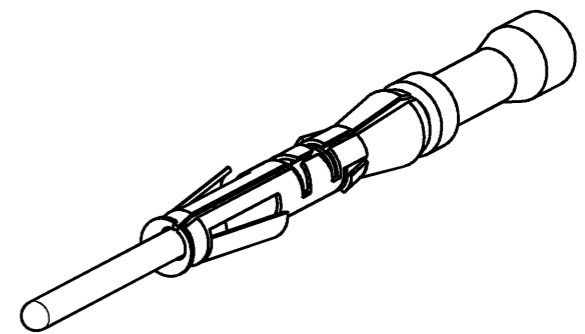


**Notes :**

- Machined contact
- Extraction tool : RX20D44
- Crimping tool : S20RCM

**Material :**

- Contact body:high conductive copper alloy  
:plating: K : 0.4 micron gold over nickel
- Retaining spring:stainless steel



ECHELLE 4/1

**P/N : RM20W3K**

**Performance Characteristics :**

- Contact retention in the body:50N max
- Contact insertion force:5N max
- Contact separation force:2N min
- Current rating:7.5 Amps
- Contact resistance:6mΩ max
- Dielectric withstanding voltage:1500 Vrms min
- Diameter over insulation 1.20 mm min up to 1.60 mm max
- Section of wire 0.32 mm<sup>2</sup> min up to 0.50 mm<sup>2</sup> max
- Wire strip length : 4,8 mm

<b>A</b>	04/03/11	FIRST ISSUE	21654
ISS	DATE	Latest modification - by:	MOD N°
Designed by: <b>MOREAU F.</b>		Date: 04/03/11	<b>CUSTOMER DRAWING</b>
<b>TITLE</b>		<b>MALE CRIMP CONTACT AWG 22 - 20</b>	
		<b>CONNECTOR UTOW</b>	
<b>Scale</b>		<b>General linear Tolerances:</b> ± 0.1	<b>NPRDS / PROJECT</b> <b>RM</b>
	<b>WWW.SOURIAU.COM</b>		This document is the property of <b>SOURIAU</b> It must not be reproduced or communicated without permission
<b>FORMAT</b>	<b>SOURIAU DRG N°</b> <b>RM20W3K-C01</b>		<b>SHEET</b> <b>1 / 1</b>
<b>A3</b>			