



Chipsmall Limited consists of a professional team with an average of over 10 year of expertise in the distribution of electronic components. Based in Hongkong, we have already established firm and mutual-benefit business relationships with customers from,Europe,America and south Asia,supplying obsolete and hard-to-find components to meet their specific needs.

With the principle of “Quality Parts,Customers Priority,Honest Operation,and Considerate Service”,our business mainly focus on the distribution of electronic components. Line cards we deal with include Microchip,ALPS,ROHM,Xilinx,Pulse,ON,Everlight and Freescale. Main products comprise IC,Modules,Potentiometer,IC Socket,Relay,Connector.Our parts cover such applications as commercial,industrial, and automotives areas.

We are looking forward to setting up business relationship with you and hope to provide you with the best service and solution. Let us make a better world for our industry!



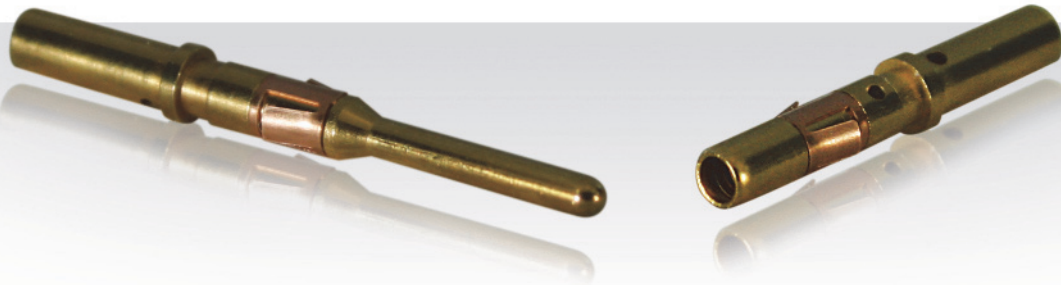
Contact us

Tel: +86-755-8981 8866 Fax: +86-755-8427 6832

Email & Skype: info@chipsmall.com Web: www.chipsmall.com

Address: A1208, Overseas Decoration Building, #122 Zhenhua RD., Futian, Shenzhen, China





RC/RM Machined contact AWG16

A unique contact technology for a wide range of railway connectors

Qualified for railway applications ■ Machined crimp contact

Low contact resistance ■ Gold plated

Good contact retention ■ Locking spring

Suitable for automatic crimping ■ Available on plastic carrier

Technical features

- Machined crimp contact
- **Contact body:** High conductive copper alloy
- **Plating:** K (Std) Min. 0.4µm gold all over, over nickel
- **Current per contact max.:** 15A according to NFF61030
- **Contact resistance:** ≤ 3 MΩ
- **Contact retention in body:** 110 N min.
- **Individual insertion force:** 3.5 N max.
- **Individual withdrawal force:** 0.55 N min
- RC/RM machined contact size 16 can be used in any contact position UTS, UTO, VGE1 and 838 connectors

Ordering information

Type	(K)RM	16	M	23	(GE1)	K
RM: Male contact bulk packing	(K)RC	16	M	23	(GE1)	K
RC: Female contact bulk packing						
KRM: Male contact on plastic carrier strip						
KRC: Female contact on plastic carrier strip						
Wire size						
#14 – #16 – #20 – #24 – #28						
Contact size #16						
.0625" (1.6mm) diameter contacts						
Design variation: Crimp barrel						
Contact type						
No digit: Pin						
GE1: Longer contact						
GE3: Shorter contact (only male contact)						
GE7: Shorter contact (only female contact)						
Plating indication:						
K: Gold						
Other plating on request						
Packing quantity						
No digit (std): 50 pcs bulk packing (RM/RC)						
2000 pcs on reel (KRM/KRC)						
1000: 1000 pcs bulk packing (RM/RC)						

The RM/RC machined contact packing

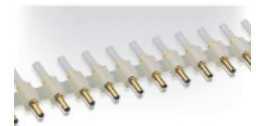
Conscious of the wide variety of applications, contact packaging has been considered for small series (bulk packaging) and high volume production (reeled contacts):



- 50 pieces bulk package (machined contacts)

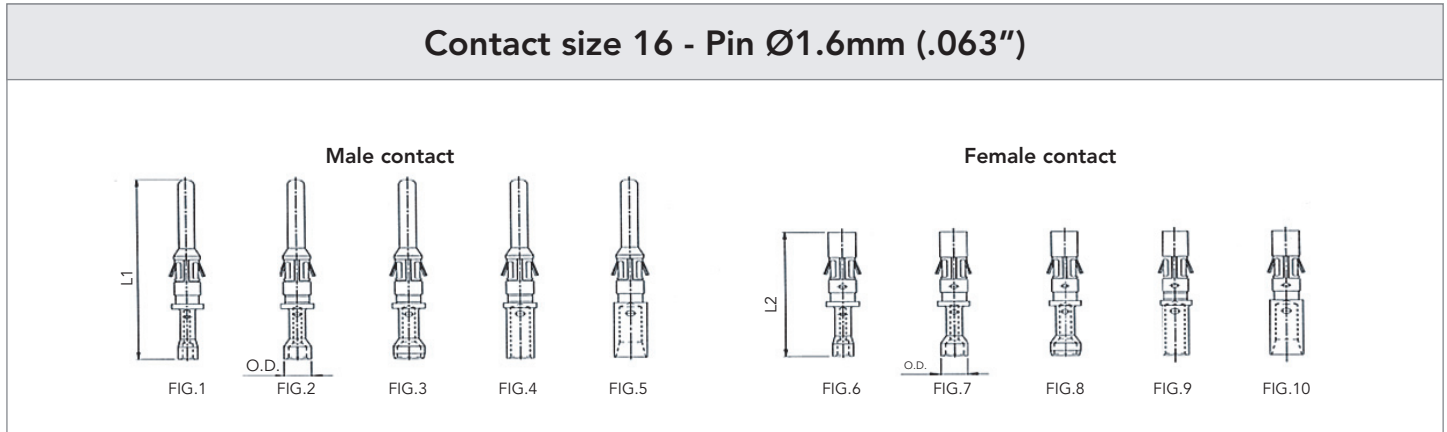


- 1000 pieces bulk package (machined contacts)



- 5000 pieces reeled (machined contacts)

RM/RC machined contacts



Part numbers & dimensions

Part numbers				Wire size		Max. wire Ø	Max. insul. Ø	Wire strip length	O.D.**	L1	L2
Male contact	FIG.	Female contact	FIG.	AWG	mm ²						
RM28M1K	1	RC28M1K	6	30-28	0.05-0.08	0.55	1.1	4.8	1.90	26.2	18.2
RM24M9K	2	RC24M9K	7	26-24	0.13-0.20	0.8	1.6		2.55		
RM20M13K	3	RC20M13K	8	22-20	0.32-0.52	1.18	1.8		2.92		
RM20M12K		RC20M12K					2.2	2.92			
RM16M23K	4	RC16M23K	9	20-16	0.50-1.50	1.80	3.2	7.1	2.55	26.2	18.2
RM14M50K	5	RC14M50K	10	16-14	1.5-2.5	2.05			3.10		
RM14M30K	5	RC14M30K	10	16-14	1.5-2.5	2.28			3.10		

For machined contacts reeled on plastic carrier: put «K» in front of part number example: KRM16M13K

Dimensions

Comparison with standard RM / RC contacts

	GE1	GE3	GE7
RM contact (male contact)	+ 1 mm	-1 mm	-
RC contact (female contact)	+ 1.5 mm	-	-0.6 mm

Contact selector guide

	Standard RC contact	RM*GE1	RC*GE7
Standard RC contact			
Standard RM contact			Last Mate, First Break
RM*GE1	First Mate, Last Break		

First Mate, Last Break contact can be used as grounding contact.

Note : all dimensions are in mm / ** Outer diameter

RM/RC machined contact

Longer

Part numbers				Wire size		Max. wire Ø	Max. insul. Ø	Wire strip length	O.D.**	L1	L2
Male contact	FIG.	Female contact	FIG.	AWG	mm ²						
RM28M1GE1K	1	RC28M1GE1K	6	30-28	0.05-0.08	0.55	1.1	4.8	1.90	27.2	19.7
RM24M9GE1K	2	RC24M9GE1K	7	26-24	0.13-0.20	0.8	1.6		2.55		
RM20M13GE1K	3	RC20M13GE1K	8	22-20	0.32-0.52	1.18	1.8		2.92		
RM20M12GE1K		RC20M12GE1K					2.2	2.55			
RM16M23GE1K	4	RC16M23GE1K	9	20-16	0.52-1.50	1.80	3.2	7.1	2.55		
RM14M50GE1K	5	RC14M50GE1K	10	16-14	1.5-2.5	2.05			3.10		
RM14M30GE1K	5	RC14M30GE1K	10			2.28					

Shorter

Part numbers				Wire size		Max. wire Ø	Max. insul. Ø	Wire strip length	O.D.**	L1	L2
Male contact	FIG.	Female contact	FIG.	AWG	mm ²						
RM28M1GE3K	1	RC28M1GE7K	6	30-28	0.05-0.08	0.55	1.1	4.8	1.90	25.2	17.6
RM24M9GE3K	2	RC24M9GE7K	7	26-24	0.13-0.20	0.8	1.6		2.55		
RM20M13GE3K	3	RC20M13GE7K	8	22-20	0.32-0.52	1.18	1.8		2.92		
RM20M12GE3K		RC20M12GE7K					2.2	2.55			
RM16M23GE3K	4	RC16M23GE7K	9	20-16	0.52-1.50	1.80	3.2	7.1	2.55		
RM14M50GE3K	5	RC14M50GE7K	10	16-14	1.5-2.5	2.05			3.10		
RM14M30GE3K	5	RC14M30GE7K	10			2.28					

Crimptooling

Stripping length	Wire size		Part numbers		Tool	Locator	Tool selector	Extraction tool
	AWG	mm ²						
4.8	30-28	0.05-0.08	RM28M1*	RC28M1*	MH860 (M22520/7-01)	MH86164G	4/6	RX2025GE1
	26-24	0.13-0.2	RM24M9*	RC24M9*	MH860 (M22520/7-01)	MH86164G	5/6	
	22-20	0.32-0.52	RM20M12*	RC20M12*	MH860 (M22520/7-01)	MH86164G	5/7	
7.1	20-16	0.5-1.5	RM16M23*	RC16M23*	MH860 (M22520/7-01)	MH86164G	6/8	
	16-14	1.5-2.5	RM14M30	RC16M30*	AF8 (M22520/1-01)	TP1142	8	
	16-14	1.5-2.5	RM14M50*	RC14M50*	AF8 (M22520/1-01)	TP1142	8	

SOURIAU

railway-connectors.com

contactindustry@souriau.com

SOURIAU