



Chipsmall Limited consists of a professional team with an average of over 10 year of expertise in the distribution of electronic components. Based in Hongkong, we have already established firm and mutual-benefit business relationships with customers from,Europe,America and south Asia,supplying obsolete and hard-to-find components to meet their specific needs.

With the principle of "Quality Parts,Customers Priority,Honest Operation,and Considerate Service",our business mainly focus on the distribution of electronic components. Line cards we deal with include Microchip,ALPS,ROHM,Xilinx,Pulse,ON,Everlight and Freescale. Main products comprise IC,Modules,Potentiometer,IC Socket,Relay,Connector.Our parts cover such applications as commercial,industrial, and automotives areas.

We are looking forward to setting up business relationship with you and hope to provide you with the best service and solution. Let us make a better world for our industry!



Contact us

Tel: +86-755-8981 8866 Fax: +86-755-8427 6832

Email & Skype: info@chipsmall.com Web: www.chipsmall.com

Address: A1208, Overseas Decoration Building, #122 Zhenhua RD., Futian, Shenzhen, China

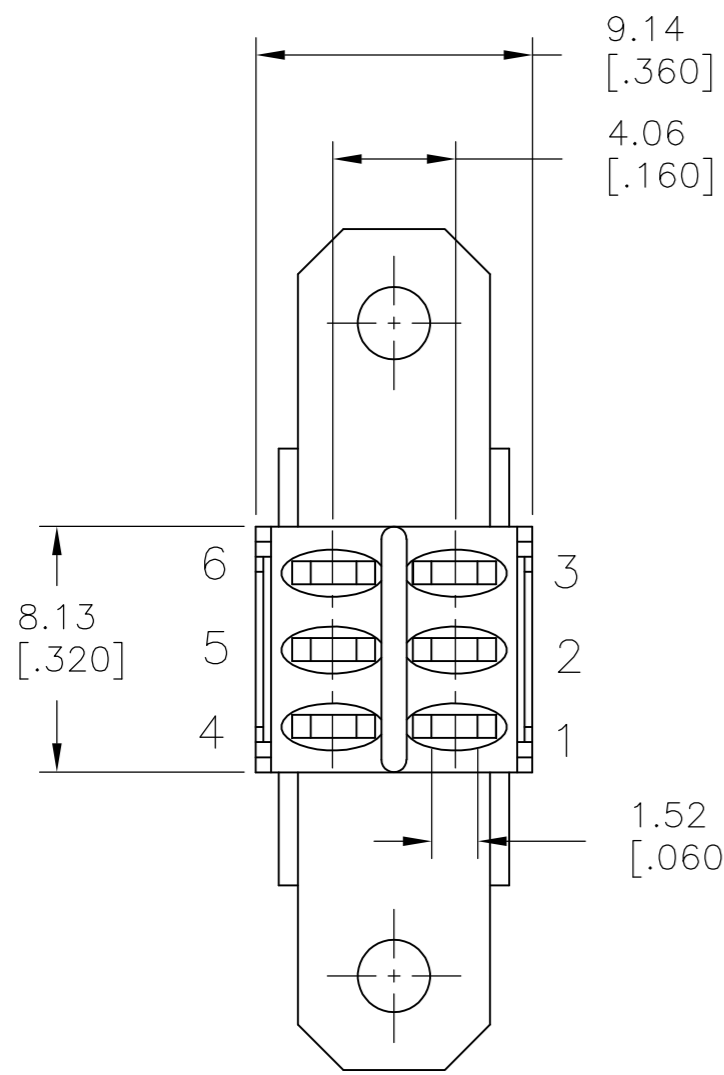
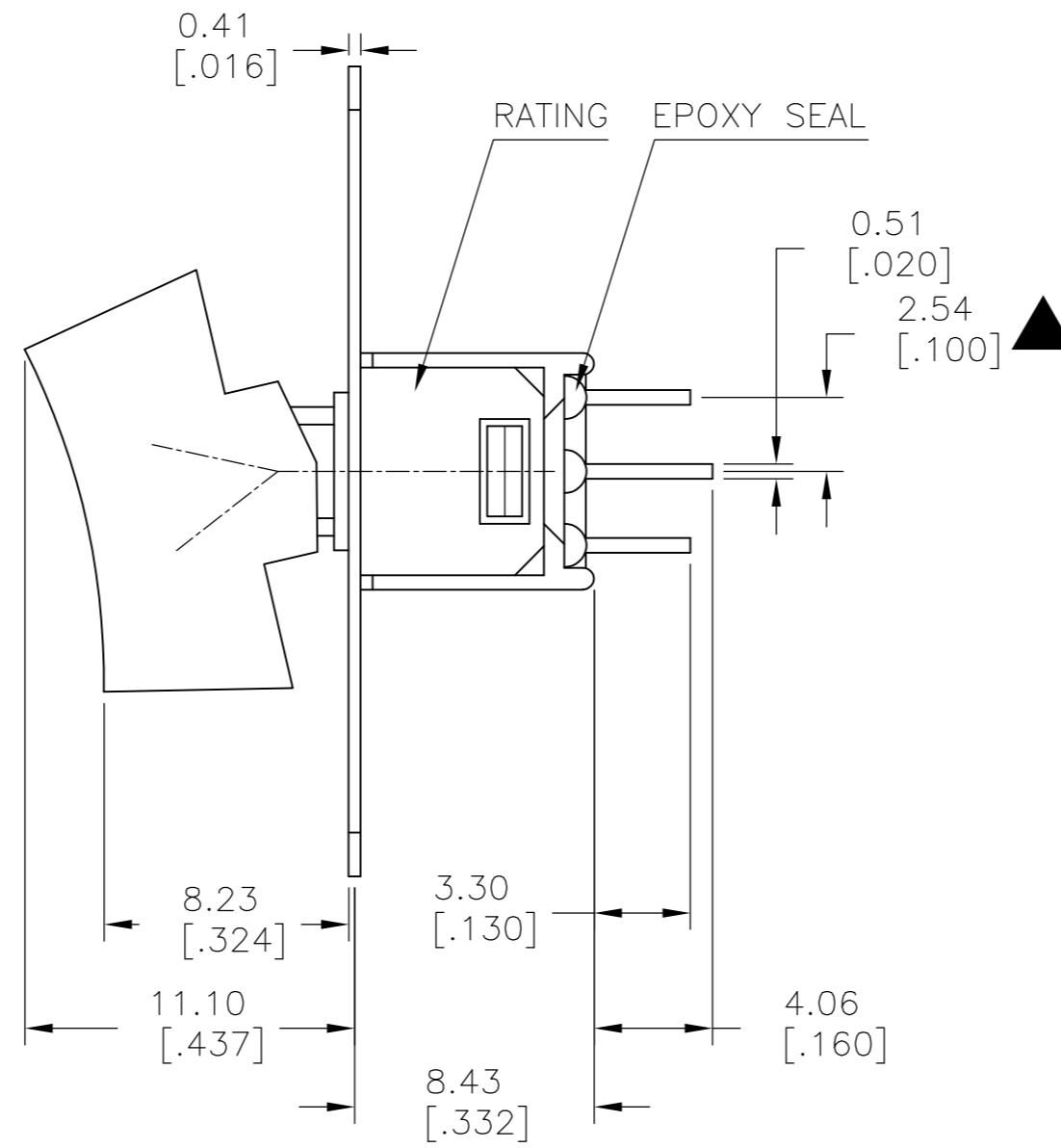
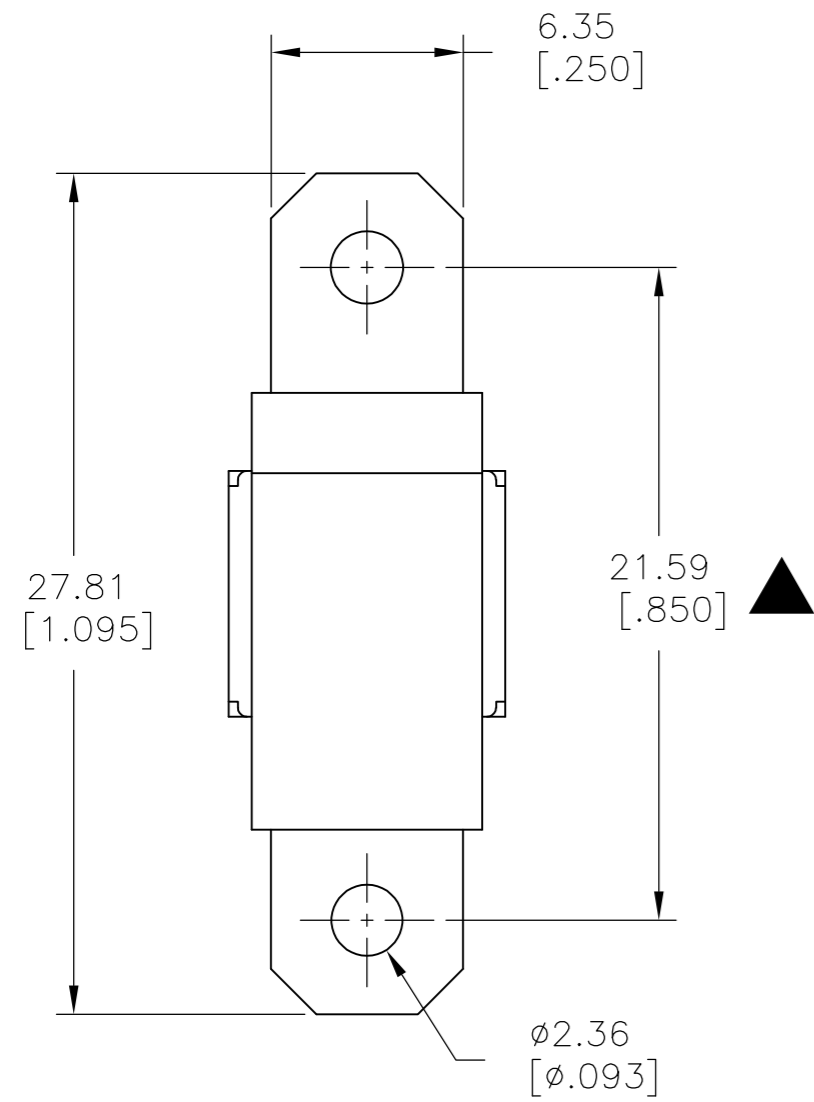


THIS DRAWING IS UNPUBLISHED. RELEASED FOR PUBLICATION
 © COPYRIGHT - By - ALL RIGHTS RESERVED.

LOC		DIST		REVISIONS			
P	LTR	DESCRIPTION	DATE	DWN	APVD		
-	-	A	NEW DRAWING PER ECO-14-009318	11JUL2014	NK	RH	

SPECIFICATIONS

MECHANICAL LIFE: 30,000 MAKE-AND-BREAK CYCLES.
 CONTACT RESISTANCE: 20 mΩ MAX. INITIAL @ 2-4VDC
 100mA FOR SILVER PLATED CONTACTS.
 CONTACT RATING: 3 Amps @120 VAC OR 28 VDC
 1 Amp @ 250 VAC
 INSULATION RESISTANCE: 1,000 MΩ MIN.
 DIELECTRIC STRENGTH: 1,000 Vrms MIN.@SEA LEVEL.
 OPERATING TEMPERATURE: -30°C TO 85°C.



SILVER	2-1,5-4	2-3,5-6	ON-ON	V-BRACKET	VERTICAL	2	2	RMD1R102VS2QES	2267087-8
SILVER	2-1	2-3	ON-ON	V-BRACKET	VERTICAL	1	2	RMS1R102VS2QES	2267087-7
SILVER	2-1,5-4	2-3,5-6	ON-ON	PC THROUGH HOLE	VERTICAL RIGHT ANGLE	2	2	RMD1R102M7QES	2267087-6
SILVER	2-1	2-3	ON-ON	PC THROUGH HOLE	VERTICAL RIGHT ANGLE	1	2	RMS1R102M7QES	2267087-5
SILVER	2-1,5-4	2-3,5-6	ON-ON	PC THROUGH HOLE	RIGHT ANGLE	2	2	RMD1R102M6QES	2267087-4
SILVER	2-1	2-3	ON-ON	PC THROUGH HOLE	RIGHT ANGLE	1	2	RMS1R202M6QES	2267087-3
SILVER	2-1,5-4	2-3,5-6	ON-ON	SOLDER LUG	VERTICAL	2	2	RMD1R102M1QES	2267087-2
SILVER	2-1	2-3	ON-ON	SOLDER LUG	VERTICAL	1	2	RMS1R102M1QES	2267087-1
CONTACT MATERIAL	POS 2	POS 1	FUNCTION	TERMINATION	MOUNT ANGLE	POLES	THROWS	DESCRIPTIVE PN	TE PN

THIS DRAWING IS A CONTROLLED DOCUMENT.

DWN	11JUL2014	NAGALAKSHMI K
CHK	11JUL2014	HILL, RYAN
APVD	11JUL2014	HILL, RYAN
PRODUCT SPEC		
APPLICATION SPEC		
WEIGHT	-	
CUSTOMER DRAWING		

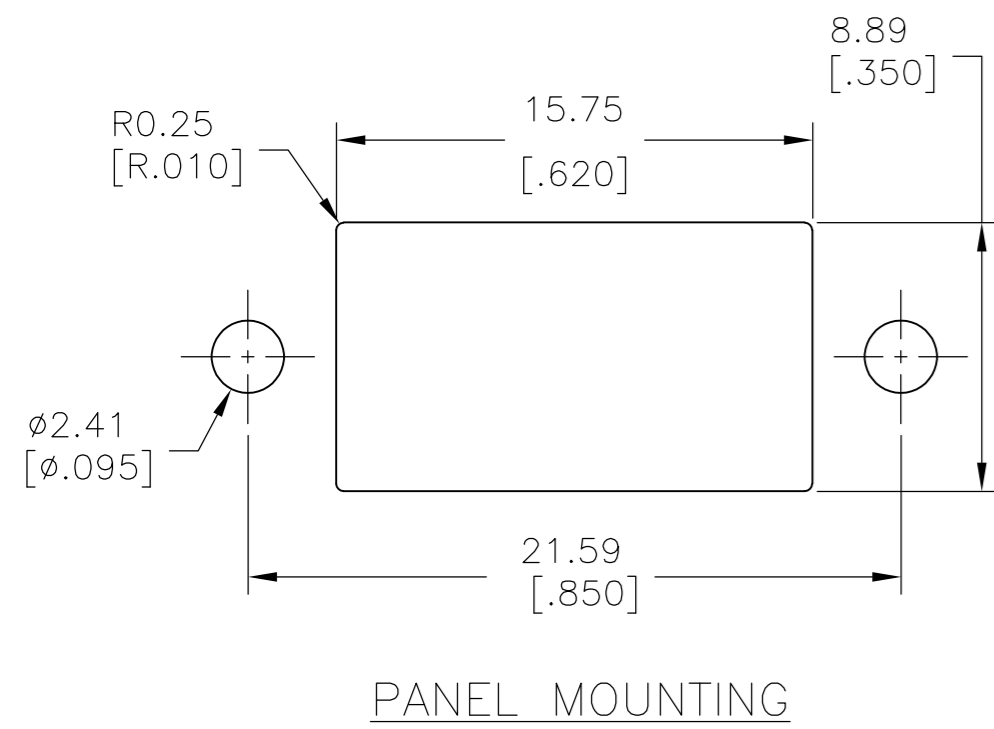
TE Connectivity
 SUBMINIATURE ROCKER SWITCHES

SIZE	A2	CAGE CODE	00779	DRAWING NO	C=2267087	RESTRICTED TO	-
SCALE	3:1	SHEET	1 of 5	REV	A		

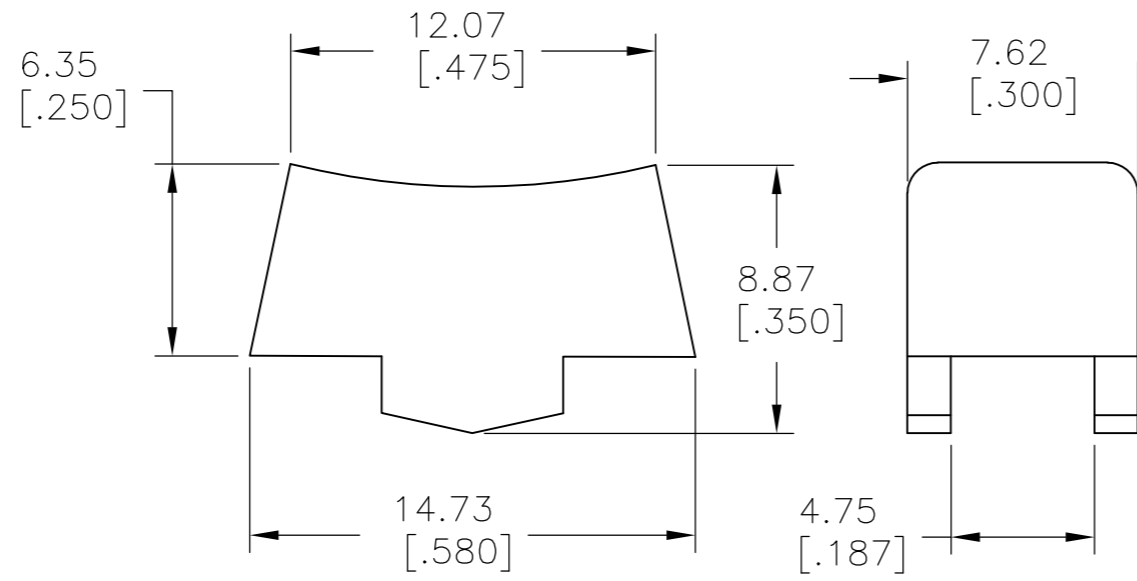
THIS DRAWING IS UNPUBLISHED. RELEASED FOR PUBLICATION
 © COPYRIGHT - By - ALL RIGHTS RESERVED.

LOC		DIST		REVISIONS			
P	LTR	DESCRIPTION	DATE	DWN	APVD		
-	-	SEE SHEET 1	-	-	-	-	-

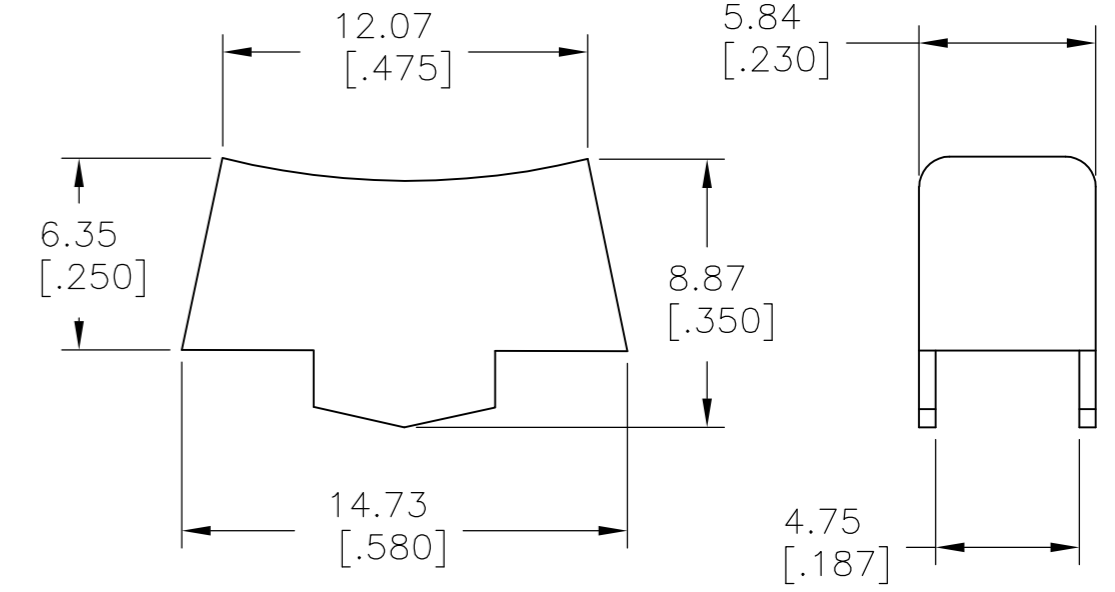
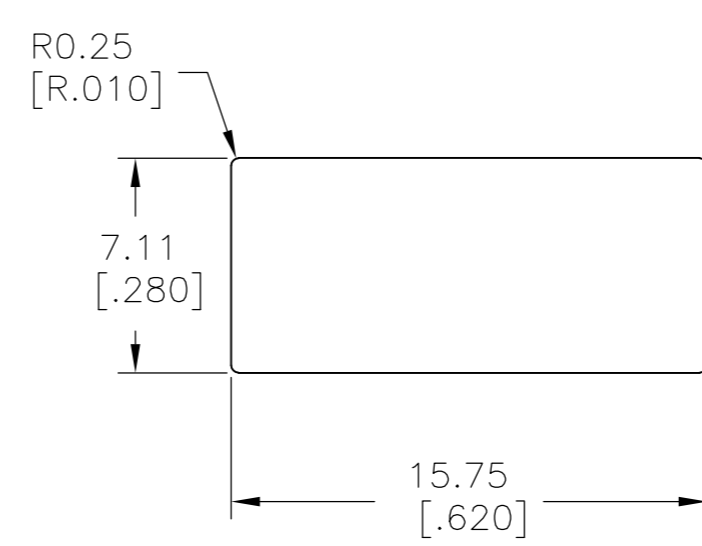
ACTUATOR OPTIONS



PANEL MOUNTING



R1
WIDE ACTUATOR

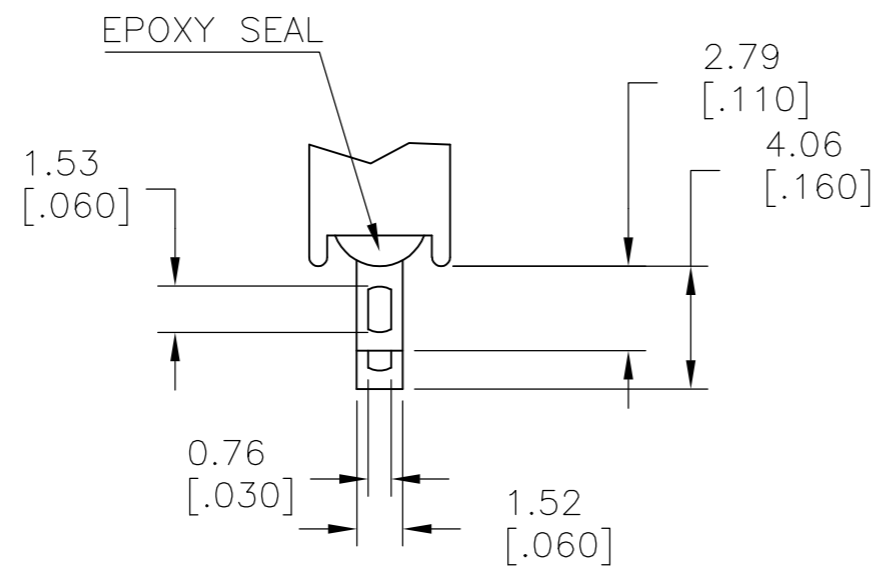


PANEL MOUNTING

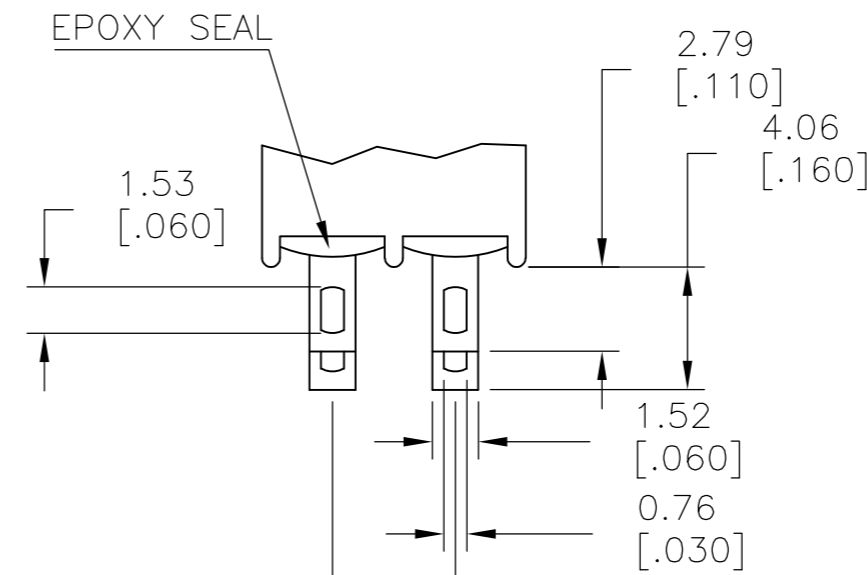
R2
NARROW ACTUATOR

TERMINATION OPTIONS

SPDT M1
SOLDER LUG



SOLDER LUG



SOLDER LUG

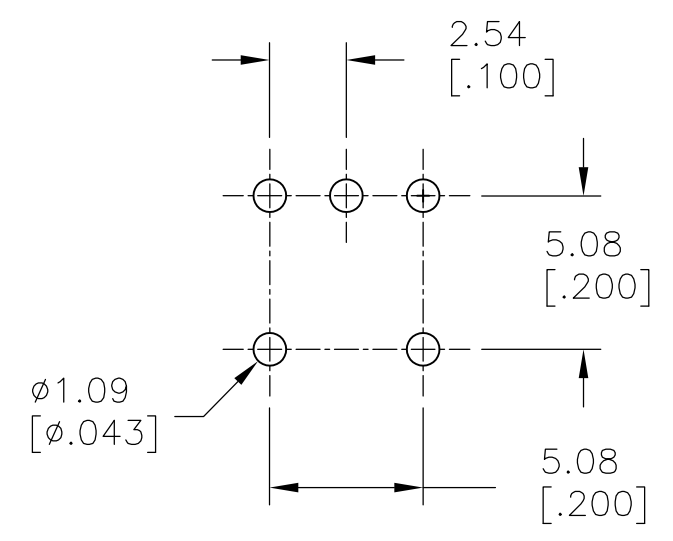
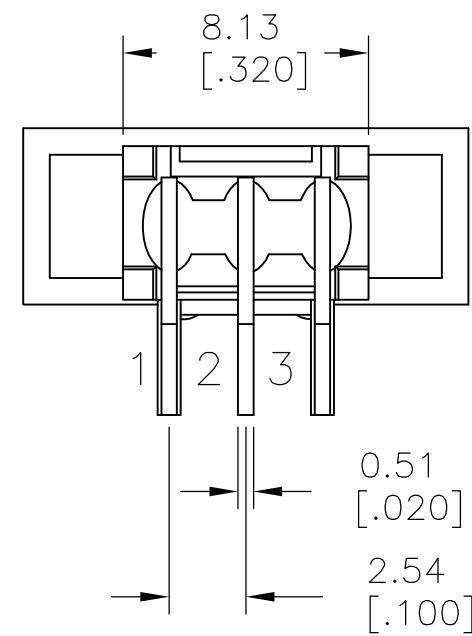
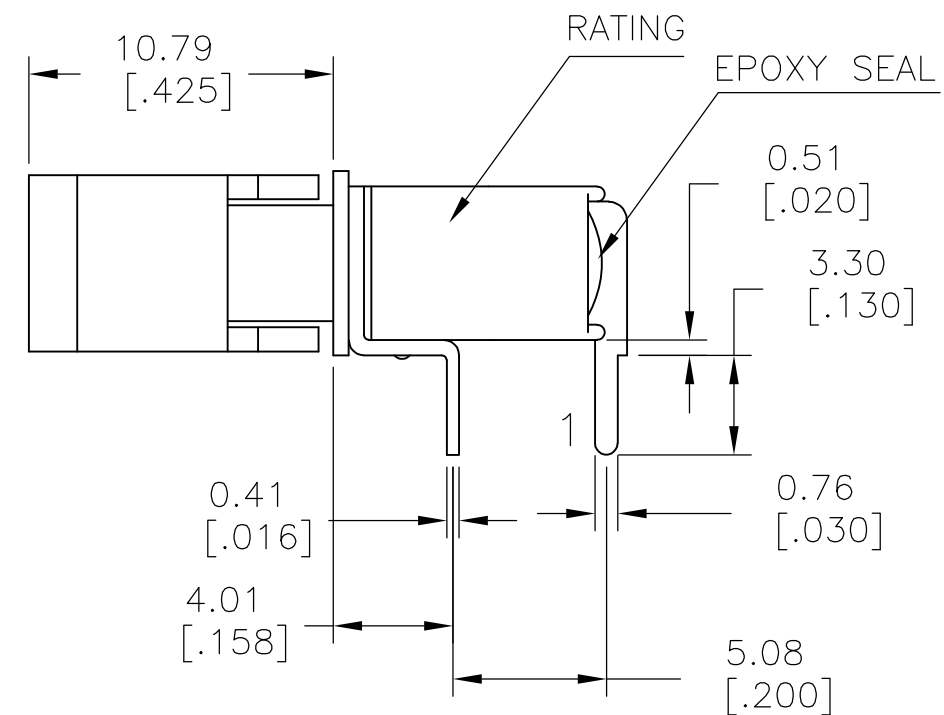
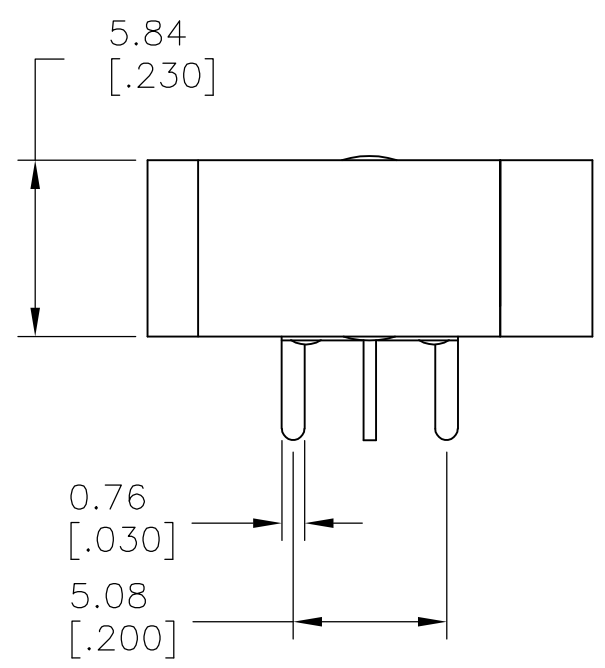
DPDT M1
SOLDER LUG

LAYOUT FOR PN 2267087-1 & 2

THIS DRAWING IS A CONTROLLED DOCUMENT.		DWN NAGALAKSHMI K 11JUL2014	TE Connectivity	
DIMENSIONS: mm [INCHES]		CHK HILL, RYAN 11JUL2014		
TOLERANCES UNLESS OTHERWISE SPECIFIED:		APVD HILL, RYAN 11JUL2014	NAME	
0 PLC ± -	1 PLC ± 0.38[.015]	PRODUCT SPEC	SUBMINIATURE ROCKER SWITCHES	
2 PLC ± 0.25[.010]	3 PLC ± -	APPLICATION SPEC	SIZE	CAGE CODE
4 PLC ± -	ANGLES ± 5°	WEIGHT	A2	00779
MATERIAL	FINISH	CUSTOMER DRAWING	SCALE	SHEET
-	-		3:1	2 of 5
			REV	A

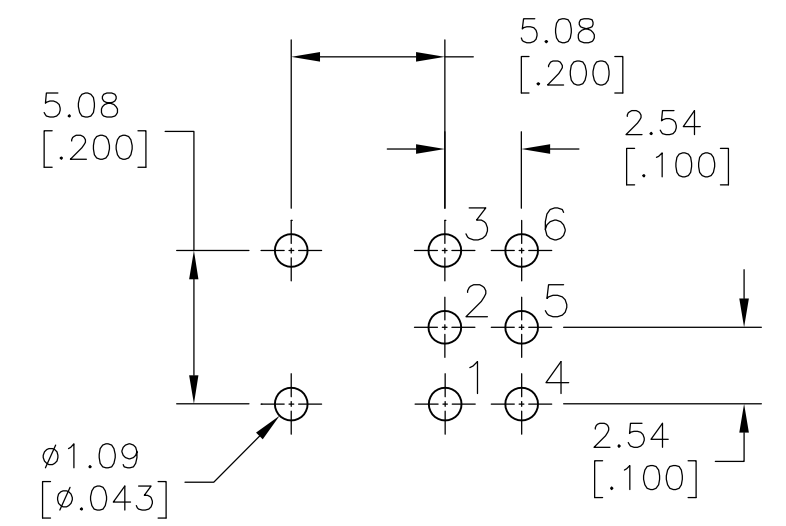
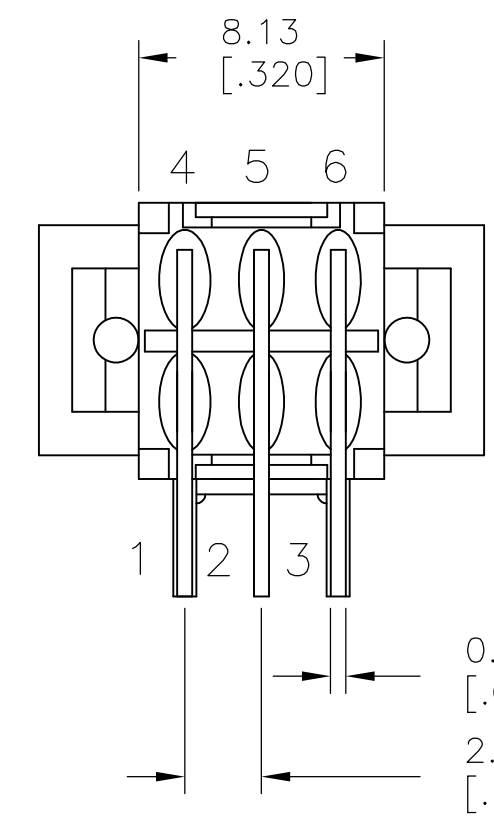
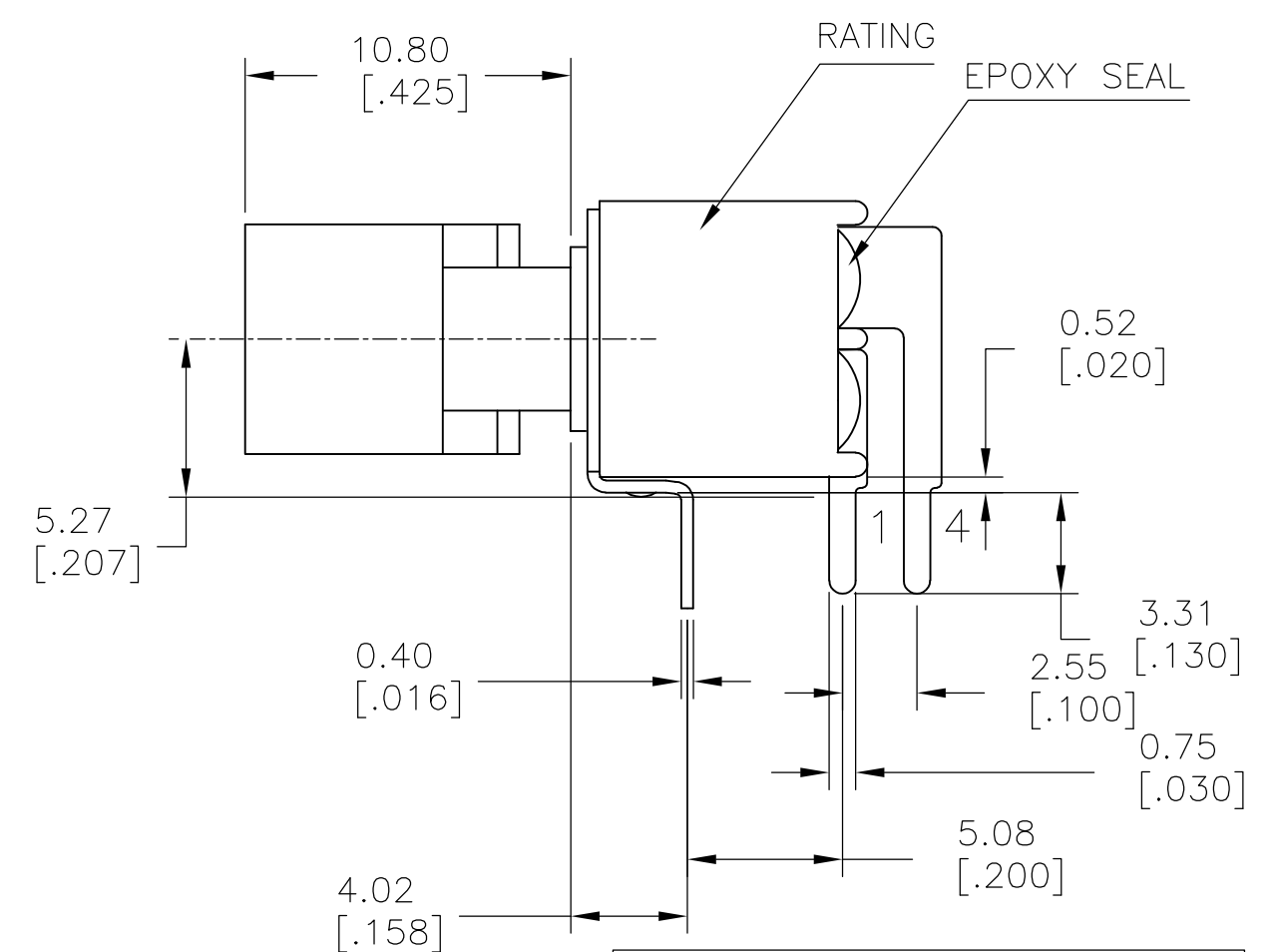
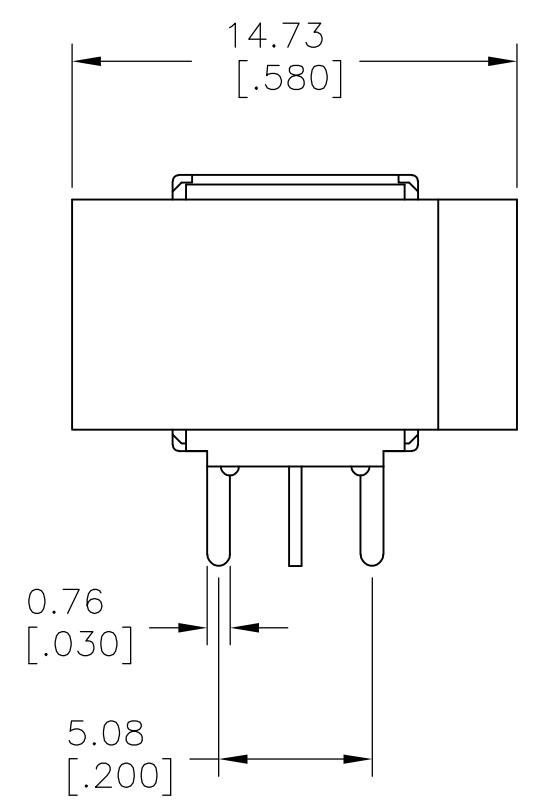
THIS DRAWING IS UNPUBLISHED. RELEASED FOR PUBLICATION
 © COPYRIGHT - By - ALL RIGHTS RESERVED.

LOC		DIST		REVISIONS			
P	LTR	DESCRIPTION	DATE	DWN	APVD		
-	-	SEE SHEET 1	-	-	-		



SPDT M6
 RIGHT ANGLE

P.C. MOUNTING



DPDT M6
 RIGHT ANGLE

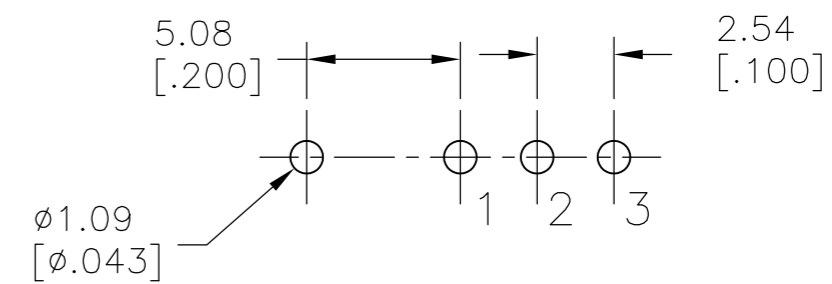
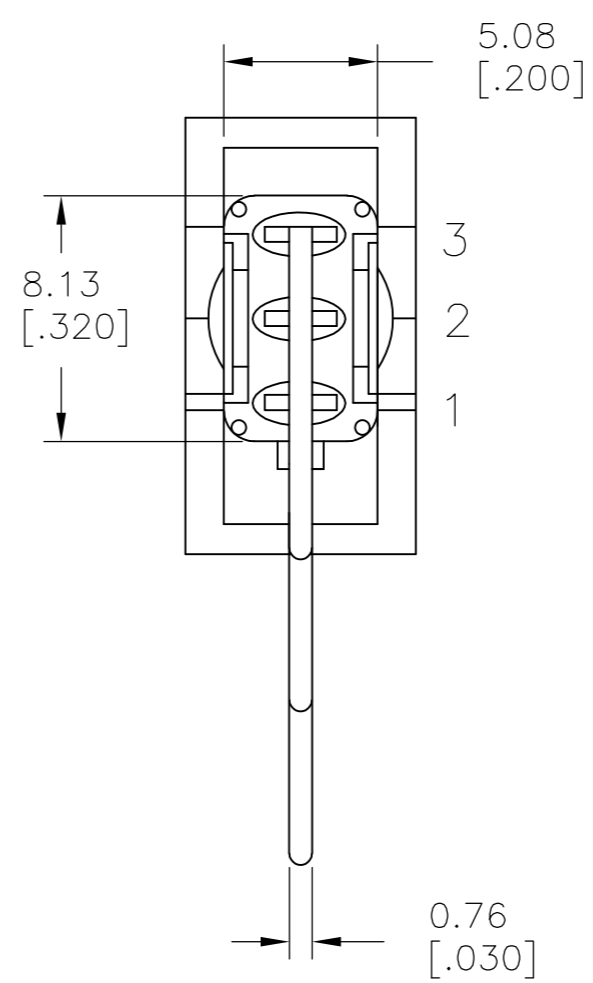
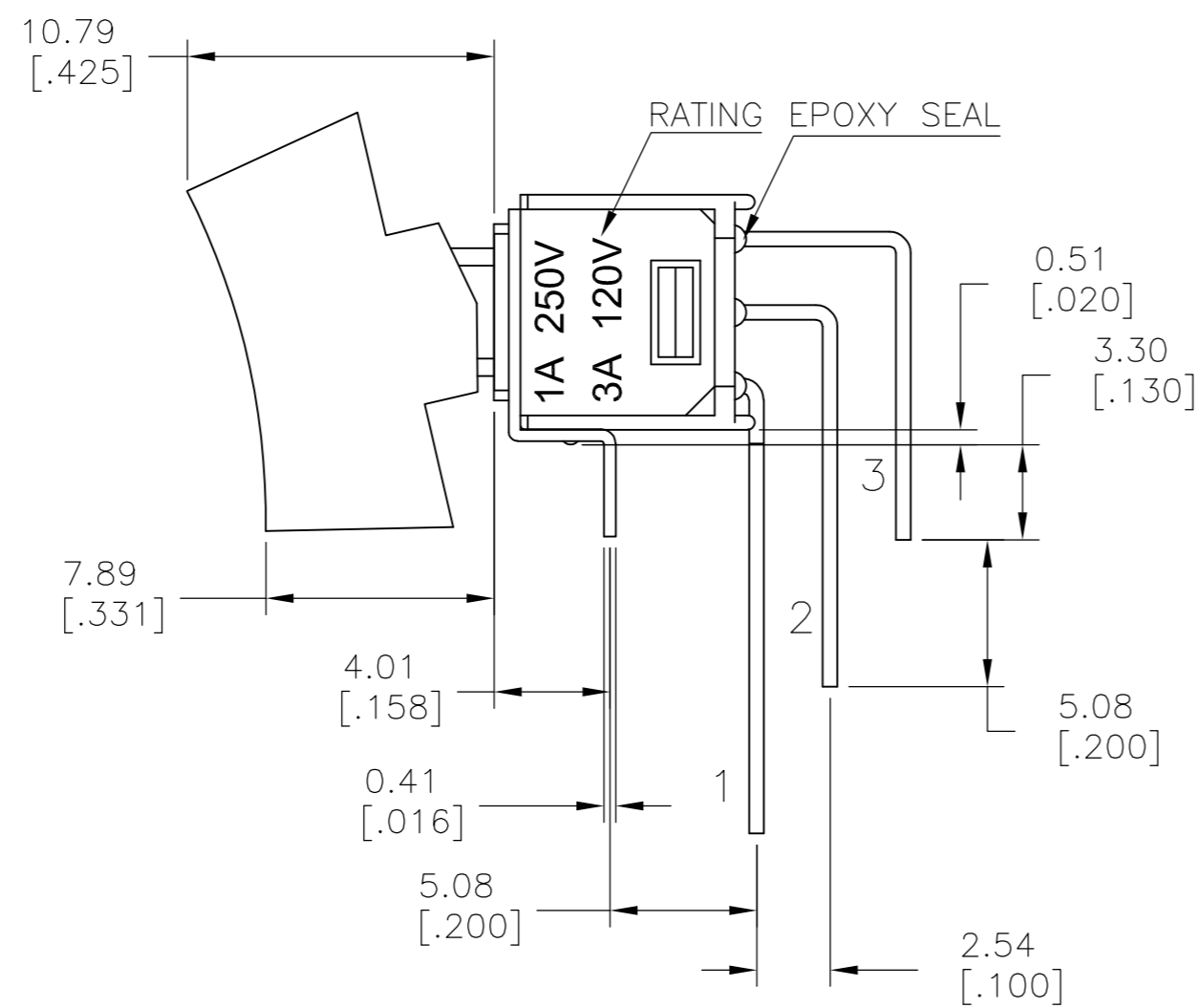
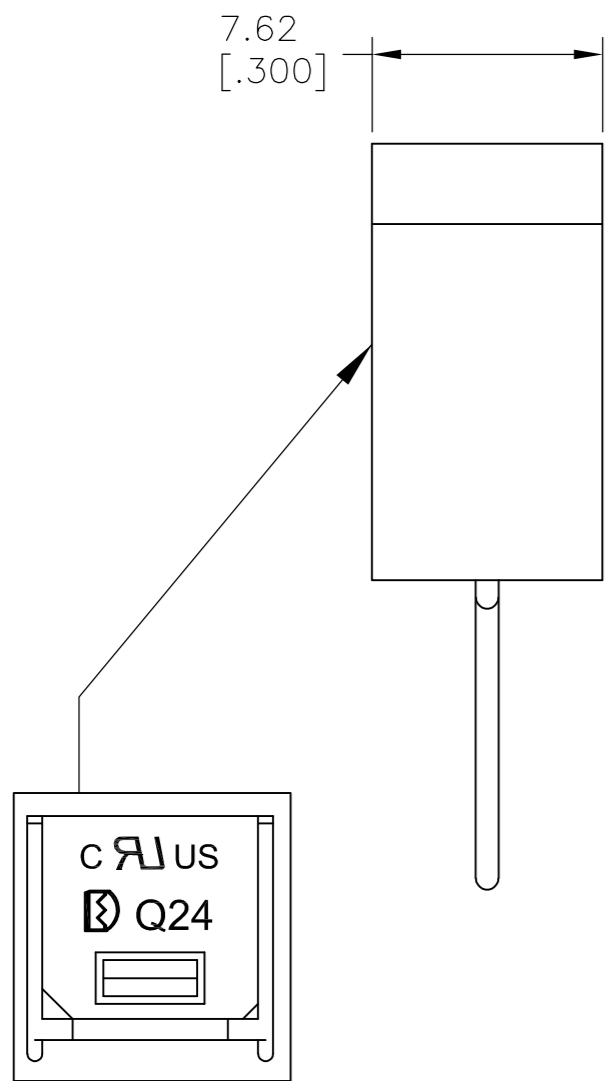
P.C. MOUNTING

LAYOUT FOR PN 2267087-3 & 4

THIS DRAWING IS A CONTROLLED DOCUMENT.		DWN NAGALAKSHMI K 11JUL2014	TE Connectivity	
DIMENSIONS: mm [INCHES]		CHK HILL, RYAN 11JUL2014		
TOLERANCES UNLESS OTHERWISE SPECIFIED:		APVD HILL, RYAN 11JUL2014	NAME	
0 PLC ± -		PRODUCT SPEC	SUBMINIATURE ROCKER SWITCHES	
1 PLC ± 0.38[.015]		APPLICATION SPEC	SIZE	CAGE CODE
2 PLC ± 0.25[.010]			A2	00779
3 PLC ± -			DRAWING NO	RESTRICTED TO
4 PLC ± -			C=2267087	-
ANGLES ± 5°			SCALE	SHEET
MATERIAL		WEIGHT	3:1	3 of 5
FINISH		CUSTOMER DRAWING	REV	A

THIS DRAWING IS UNPUBLISHED. RELEASED FOR PUBLICATION
 © COPYRIGHT - By - ALL RIGHTS RESERVED.

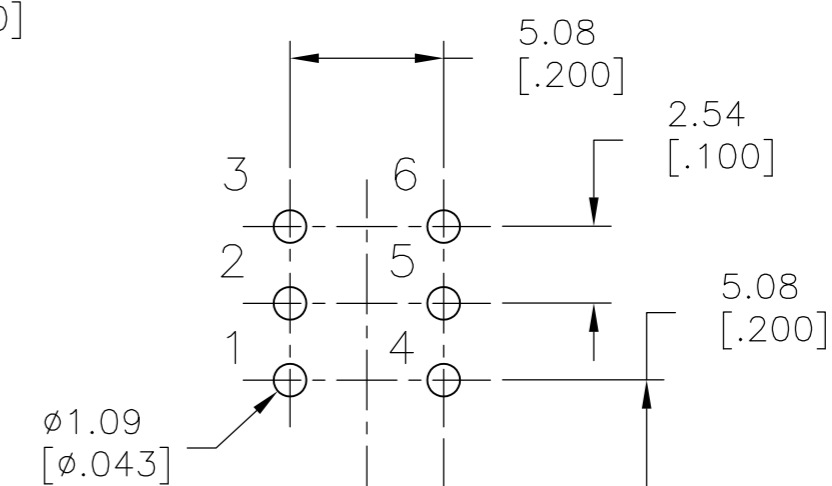
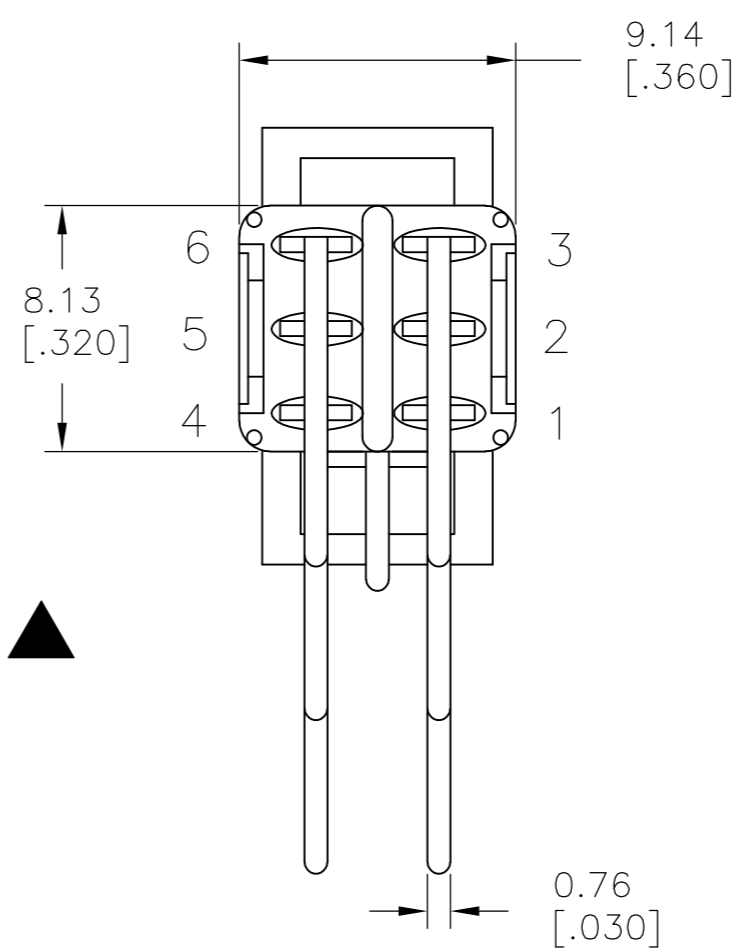
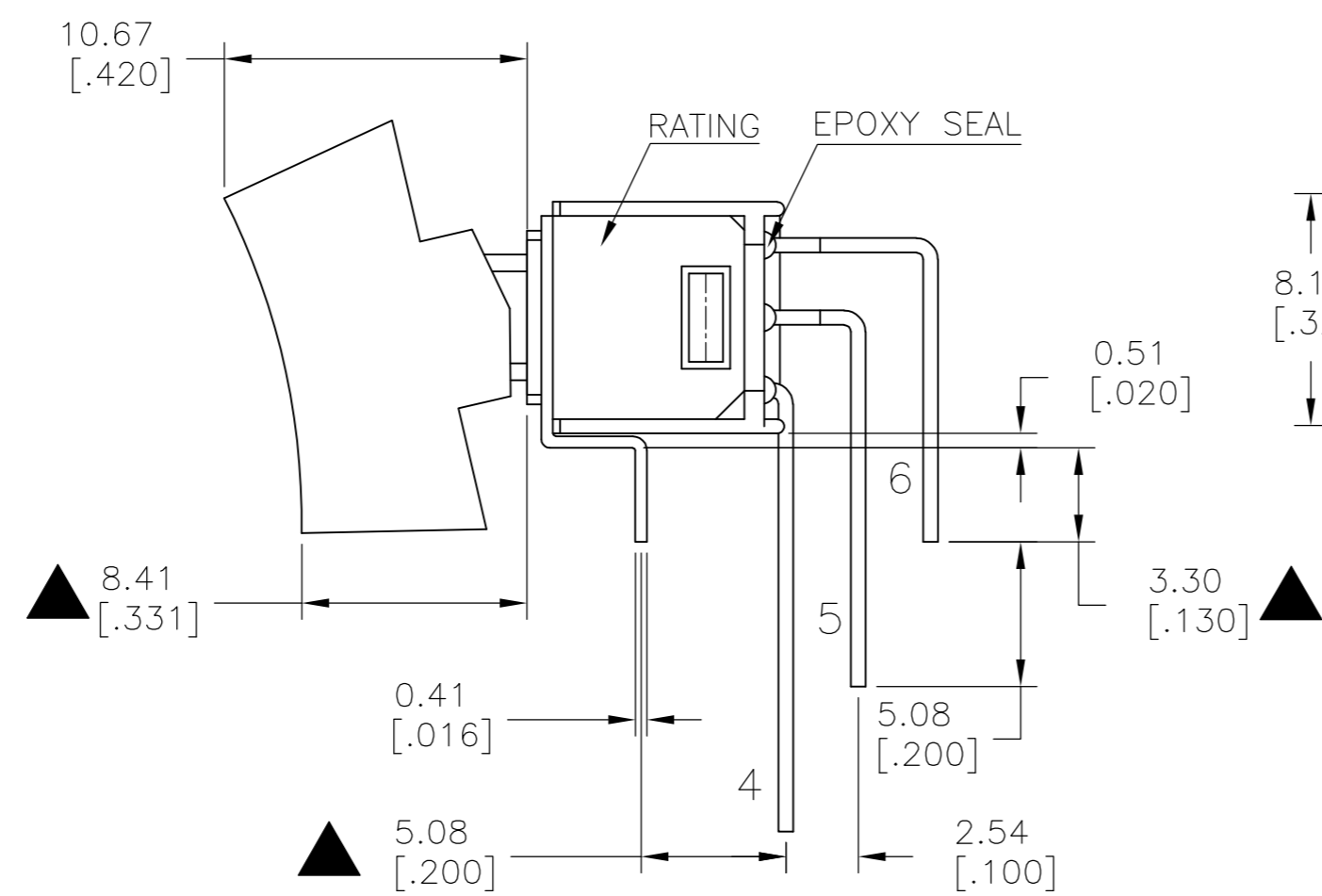
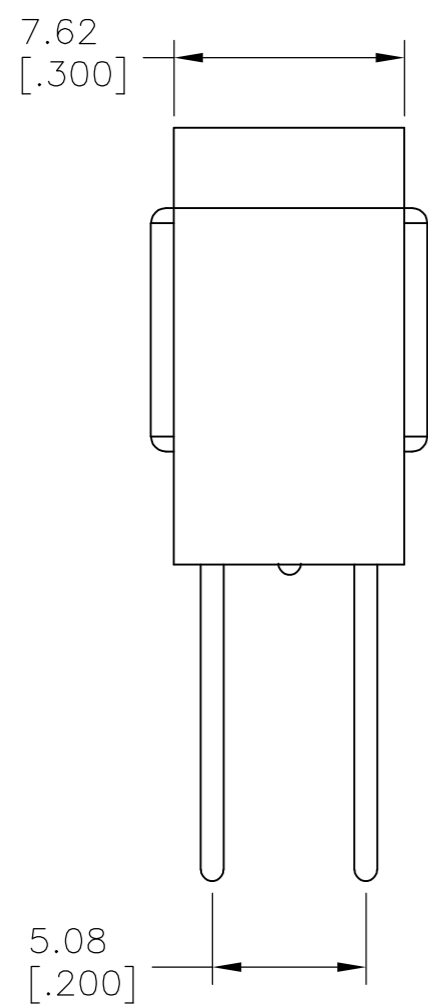
LOC		DIST		REVISIONS			
P	LTR	DESCRIPTION	DATE	DWN	APVD		
-	-	SEE SHEET 1	-	-	-		



P.C. MOUNTING

SPDT M7

VERTICAL
RIGHT ANGLE



DPDT M7

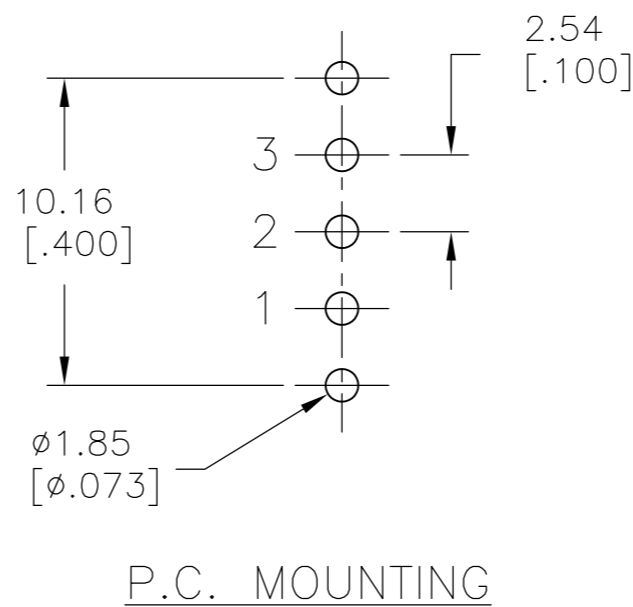
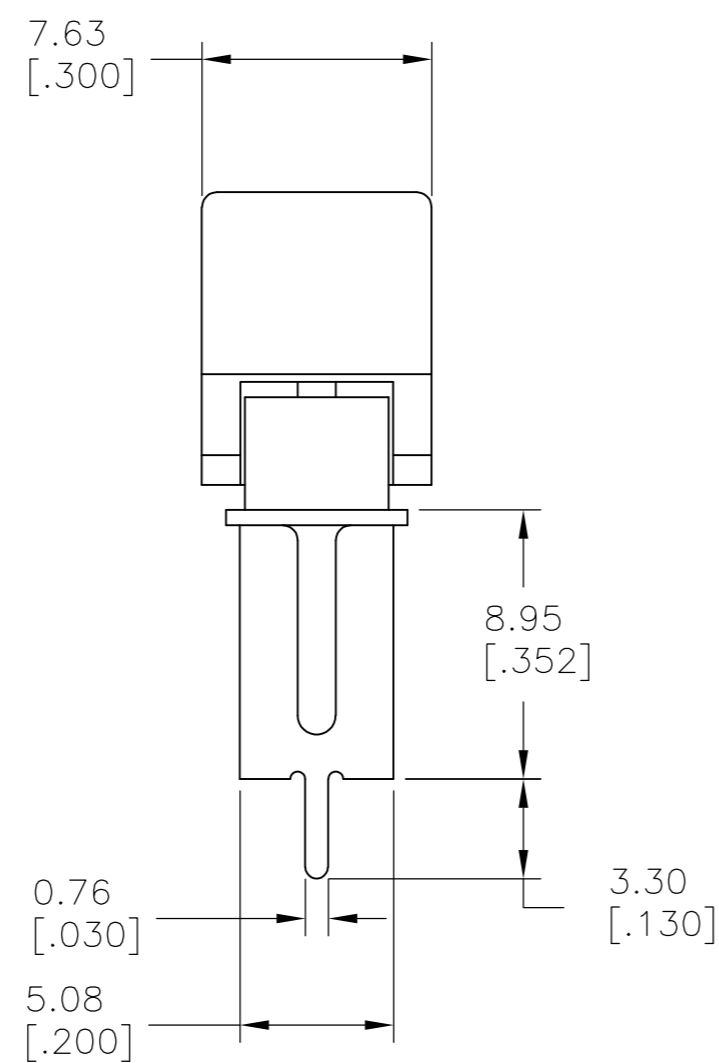
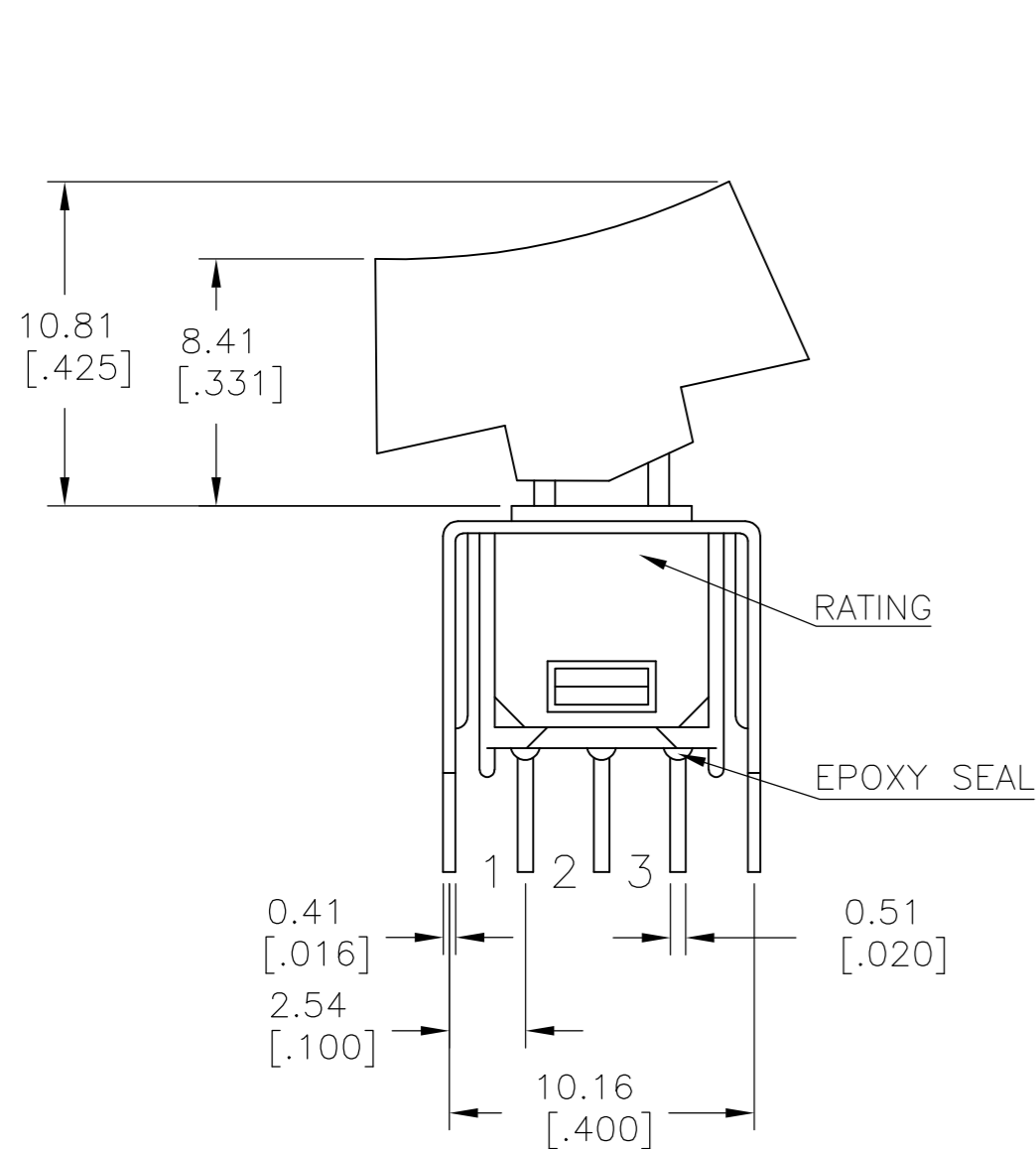
VERTICAL
RIGHT ANGLE

LAYOUT FOR PN 2267087-5 & 6

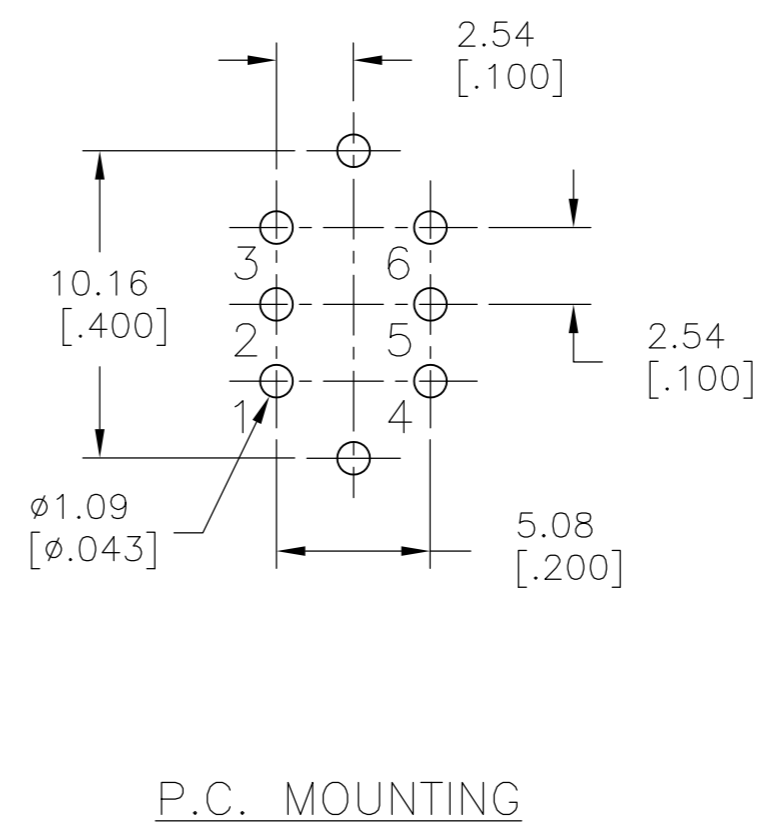
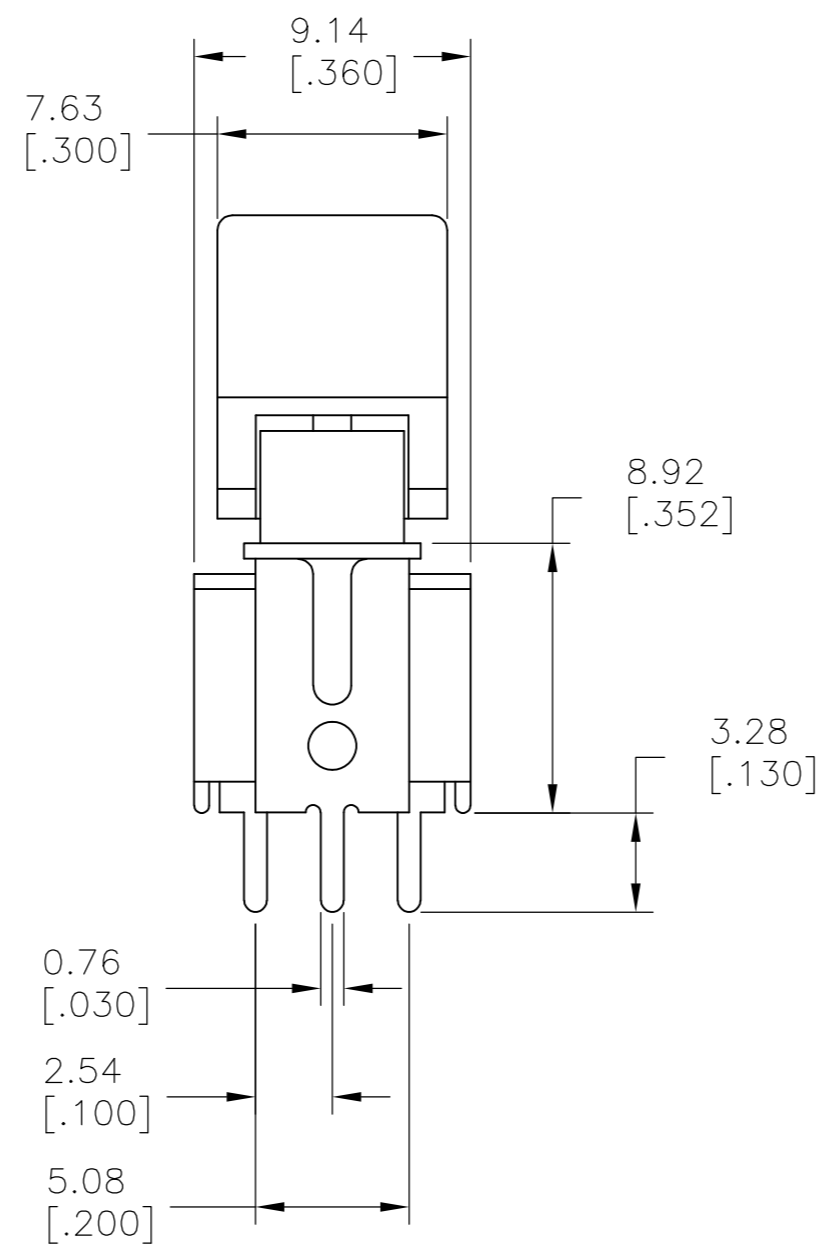
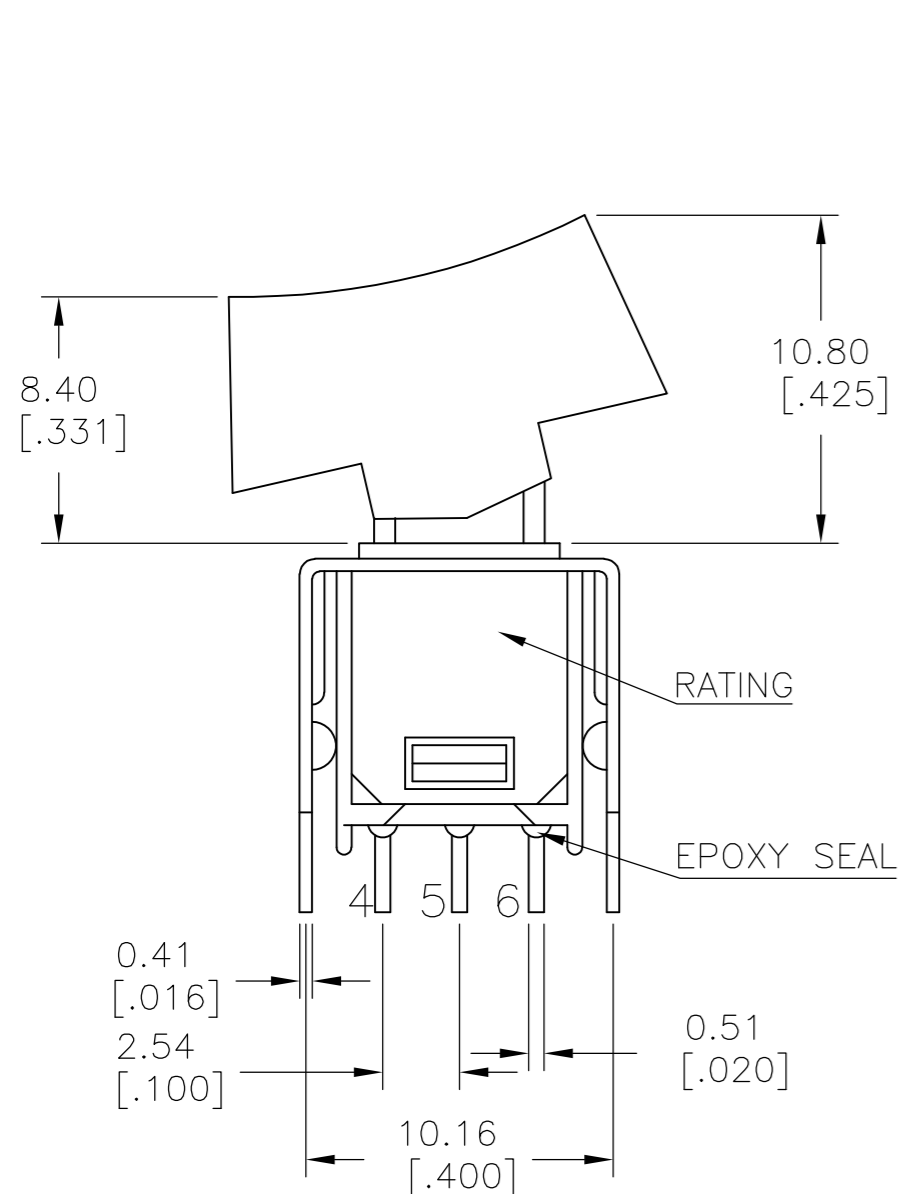
THIS DRAWING IS A CONTROLLED DOCUMENT.		DWN NAGALAKSHMI K 11JUL2014	STE TE Connectivity	
DIMENSIONS: mm [INCHES]		CHK HILL, RYAN 11JUL2014		
TOLERANCES UNLESS OTHERWISE SPECIFIED:		APVD HILL, RYAN 11JUL2014	NAME	
0 PLC ± -	1 PLC ± 0.38[015]	PRODUCT SPEC	SUBMINIATURE ROCKER SWITCHES	
2 PLC ± 0.25[010]	3 PLC ± -	APPLICATION SPEC	SIZE	CAGE CODE
4 PLC ± -	ANGLES ± 5°	FINISH	A2	00779
MATERIAL	FINISH	WEIGHT	SCALE	DRAWING NO
-	-	-	3:1	C=2267087
CUSTOMER DRAWING			SHEET	RESTRICTED TO
			4 of 5	-
			REV	A

THIS DRAWING IS UNPUBLISHED. RELEASED FOR PUBLICATION
 © COPYRIGHT - By - ALL RIGHTS RESERVED.

LOC		DIST		REVISIONS			
P	LTR	DESCRIPTION	DATE	DWN	APVD		
-	-	SEE SHEET 1	-	-	-		



SPDT VS2
 VERTICAL V-BRACKET



DPDT VS2
 VERTICAL V-BRACKET

LAYOUT FOR PN 2267087-7 & 8

THIS DRAWING IS A CONTROLLED DOCUMENT.		DWN	11JUL2014	 TE Connectivity			
DIMENSIONS:		CHK	11JUL2014		NAME		
mm [INCHES]		APVD	11JUL2014		SUBMINIATURE ROCKER SWITCHES		
TOLERANCES UNLESS OTHERWISE SPECIFIED:		PRODUCT SPEC			SIZE	CAGE CODE	DRAWING NO
0 PLC	± -	APPLICATION SPEC		A2	00779	C=2267087	
1 PLC	± 0.38[.015]			SCALE	SHEET	REV	
2 PLC	± 0.25[.010]			3:1	5 of 5	A	
3 PLC	± -			CUSTOMER DRAWING			
4 PLC	± -						
ANGLES	± 5°						
MATERIAL		WEIGHT	-				
FINISH							