



Chipsmall Limited consists of a professional team with an average of over 10 year of expertise in the distribution of electronic components. Based in Hongkong, we have already established firm and mutual-benefit business relationships with customers from,Europe,America and south Asia,supplying obsolete and hard-to-find components to meet their specific needs.

With the principle of “Quality Parts,Customers Priority,Honest Operation,and Considerate Service”,our business mainly focus on the distribution of electronic components. Line cards we deal with include Microchip,ALPS,ROHM,Xilinx,Pulse,ON,Everlight and Freescale. Main products comprise IC,Modules,Potentiometer,IC Socket,Relay,Connector.Our parts cover such applications as commercial,industrial, and automotives areas.

We are looking forward to setting up business relationship with you and hope to provide you with the best service and solution. Let us make a better world for our industry!



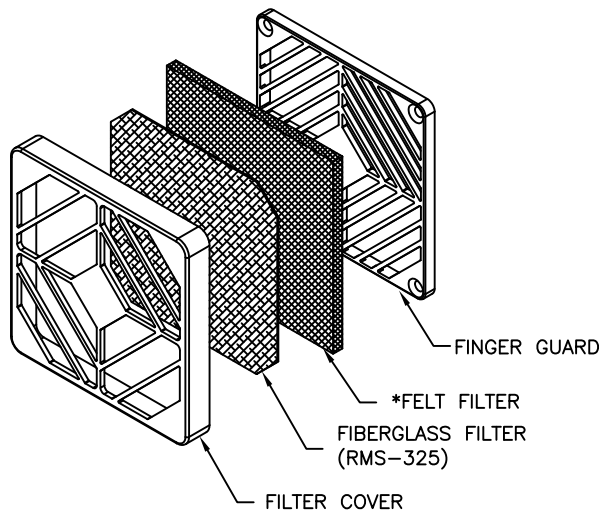
Contact us

Tel: +86-755-8981 8866 Fax: +86-755-8427 6832

Email & Skype: info@chipsmall.com Web: www.chipsmall.com

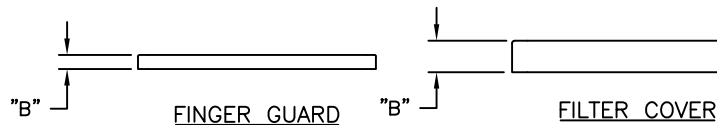
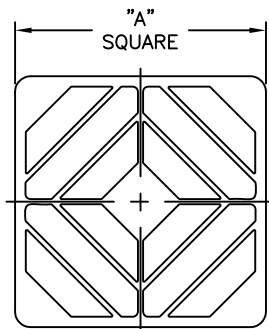
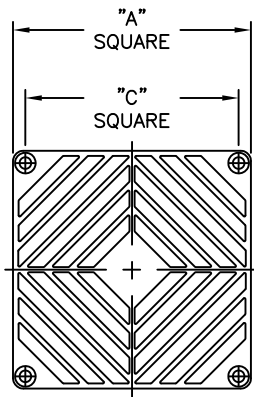
Address: A1208, Overseas Decoration Building, #122 Zhenhua RD., Futian, Shenzhen, China





FILTER SETS	FINGER GUARD				FILTER COVERS ARE NOT SUPPLIED SEPARATELY. PART NO. IS FOR REFERENCE ONLY.		
PART NO.	FINGER GUARD PART NO.	DIM. "A"	DIM. "B"	DIM. "C"	FILTER COVER PART NO.	DIM. "A"	DIM. "B"
RCP-040-NV	RFG-040-NV	1.67 (42.3)	.13 (3.3)	1.26 (32.0)	RFC-040-NV	1.83 (46.5)	.26 (6.5)
RCP-060-NV	RFG-060-NV	2.36 (60.0)	.24 (6.0)	1.97 (50.0)	RFC-060-NV	2.54 (64.4)	.48 (12.2)
RCP-080-NV	RFG-080-NV	3.19 (81.0)	.22 (5.5)	2.81 (71.4)	RFC-080-NV	3.38 (86.0)	
RCP-092-NV	RFG-092-NV	3.62 (92.0)		3.25 (82.5)	RFC-092-NV	3.80 (96.5)	
RCP-120-NV	RFG-120-NV	4.76 (121.0)	.26 (6.5)	4.13 (105.0)	RFC-120-NV	4.96 (126.0)	.51 (13.0)

ITEMS	SIZES				
	40X40 NV	60X60 NV	80X80 NV	92X92 NV	120X120 NV
FINGER GUARD ONLY	RFG-040-NV	RFG-060-NV	RFG-080-NV	RFG-092-NV	RFG-120-NV
FINGER GUARD, FILTER COVER, FIBERGLASS FILTER AND FELT FILTER	RCP-040-NV	RCP-060-NV	RCP-080-NV	RCP-092-NV	RCP-120-NV
FELT FILTER	RFF-040-NV	RFF-060-NV	RFF-080-NV	RFF-092-NV	RFF-120-NV
FIBERGLASS FILTER	RMF-040-NV	RMF-060-NV	RMF-080-NV	RMF-092-NV	RMF-120-NV



NOTES:

- MATERIAL: PC/ABS UL 94 V-0 (RMS-256).
COLOR: BLACK.
MAX. OPERATING TEMPERATURE: 158°F (70°C).
- *FELT FILTER MATERIAL: POLYESTER AND POLYPROPYLENE (RMS-255).
COLOR: WHITE.
MAX. TEMPERATURE: 212°F (100°C), SELF EXTINGUISHING.

TITLE: FILTERS, GUARDS & COVERS		DWG IN IN (MM)		FINAL		PART #		PRINT TYPE	
TOLERANCES UNLESS NOTED .XX=±.010 .XXX=±.005 FRAC=±1/64 ANG=±1°		FILE # RCP(F)		DWN: SM		APP:		SEE TABLE	
MAT'L: SEE NOTES		DT: 04/11/02		DT:		RICHCO INC. PO BOX 804238, CHICAGO, 60680 (773) 539-4060		CA	
RE: RICHCO, INC.									

F	SEE CO 200163 FOR CHANGES	SK 04.16.08
-	SEE ENGINEERING FOR REV A-E	-----
REV	DESCRIPTION	ENGR DATE