



Chipsmall Limited consists of a professional team with an average of over 10 year of expertise in the distribution of electronic components. Based in Hongkong, we have already established firm and mutual-benefit business relationships with customers from,Europe,America and south Asia,supplying obsolete and hard-to-find components to meet their specific needs.

With the principle of “Quality Parts,Customers Priority,Honest Operation,and Considerate Service”,our business mainly focus on the distribution of electronic components. Line cards we deal with include Microchip,ALPS,ROHM,Xilinx,Pulse,ON,Everlight and Freescale. Main products comprise IC,Modules,Potentiometer,IC Socket,Relay,Connector.Our parts cover such applications as commercial,industrial, and automotives areas.

We are looking forward to setting up business relationship with you and hope to provide you with the best service and solution. Let us make a better world for our industry!



Contact us

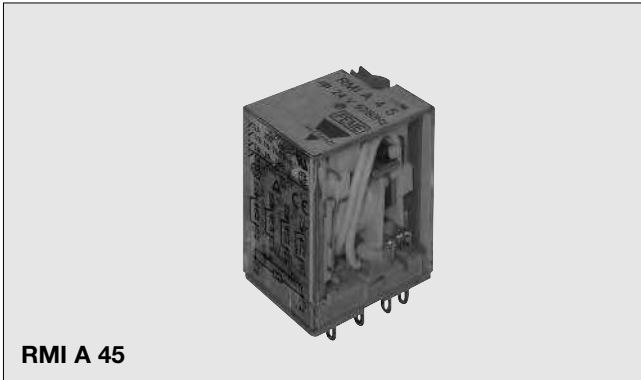
Tel: +86-755-8981 8866 Fax: +86-755-8427 6832

Email & Skype: info@chipsmall.com Web: www.chipsmall.com

Address: A1208, Overseas Decoration Building, #122 Zhenhua RD., Futian, Shenzhen, China



Midi Industrial Relay Type RMI. 4-5 5A Monostable



- High switching power
- Small size
- 4 poles configuration
- AC coils 6 to 230VAC
- DC coils 5 to 110VDC
- 3750VAC dielectric coil to contacts
- Standard with LED, Push with arm and Flag
- IP 40
- Complain with the CE low voltage directive
- TÜV, UL, CSA, IMQ approved

Product Description

The RMI relay (relay mini-industrial) can be used for a wide range of industrial applications.

Available in 4 change-over contact configuration. PCB, solder and plug-in terminals.

Ordering Key

RMI A 45 12DC /1

Type _____
 Terminal version _____
 Contact code _____
 Coil code _____
 Options _____

Terminal version: A = Soldering terminals
 B = PCB terminals

Box content: 25 relays
 Box size: (W 125 x D 165 x H 50) mm Weight: 850g
 (W 4.92 x D 6.50 x H 1.97) inches Weight: 29.98oz

Approvals



Type Selection

Contact configuration	Contact rating	Contact code
4 change over contacts (4PDT {4-form C})	5A	45

Coil Characteristics, DC 0.9W

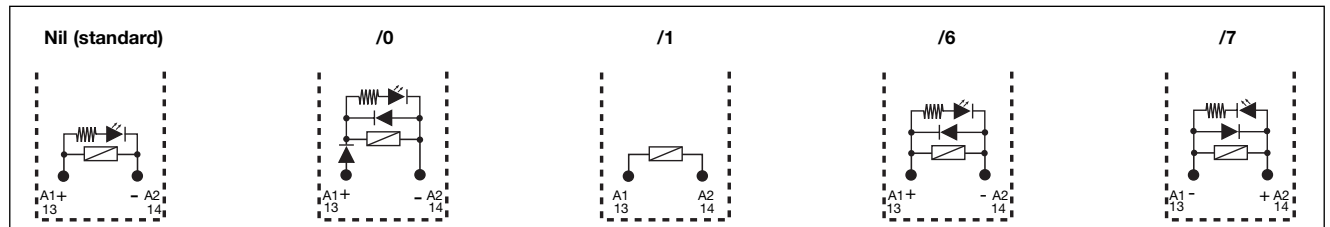
Coil Code	Nominal voltage VDC	@ +20°C (+68°F)		Coil resistance Ω
		Pick-up voltage VDC	Drop-out voltage VDC	
5VDC	5	4.0	0.5	27.5 ±10%
6VDC	6	4.8	0.6	40.0 ±10%
12VDC	12	9.6	1.2	160.0 ±10%
24VDC	24	19.2	2.4	650.0 ±10%
48VDC	48	38.4	4.8	2600.0 ±15%
60VDC	60	48.0	6.0	11000.0 ±15%
110VDC	110	88.0	11.0	11000.0 ±15%

Coil Characteristics, AC 1.2VA

Coil Code	Nominal voltage VAC	@ +20°C (+68°F)		Coil resistance Ω
		Pick-up voltage VAC	Drop-out voltage VAC	
6VAC	6	4.8	1.8	40.0 ±10%
12VAC	12	9.6	3.6	160.0 ±10%
24VAC	24	19.2	7.2	650.0 ±10%
48VAC	48	38.4	14.4	2600.0 ±10%
115/120VAC	110-120	96.0	36.0	11000.0 ±15%
230VAC	220-240	176.0	66.0	11000.0 ±15%

Options

Nil = Standard with Push Arm -LED (A1+) (A2-) Flag
/0 = Diode against polarity reverse + free-wheeling Diode (A1+) (A2-)
/1 = Without LED
/2 = Without Flag
/3 = Without Push Arm
/4 = Plated Contacts Au > 5µm
/5 = Flash Gilded Contacts Au > 1µm
/6 = Free-Wheeling Diode (A1+) (A2-)
/7 = Free-Wheeling Diode (A1-) (A2+)



Contact Characteristics

Contact rating (with resistive load)	5A - 250VAC	Minimum Current Min. applicable load /4 and /5 versions	5mA @ 12VDC 1mA @ 6VDC
UL rating	5A - 250VAC/30VDC 1/6HP @ 240VAC	Initial contact resistance	50mΩ (@ 1A 6VDC)
Usually rating (1x10 ⁵ ops)	5A - 250VAC / 30VDC	Max. switch. voltage	250VAC / 30VDC @ 5A
Max. rating (5x10 ⁴ ops)	5A - 250VAC / 30VDC	Max. switch. power	1250VA / 150W @ 5A
Material	AgSn₂In₂O₃	Life Electrical life Mechanical life	1x10⁵ cycles (1800 Ops/h) 1x10⁷ cycles (1800 Ops/h)

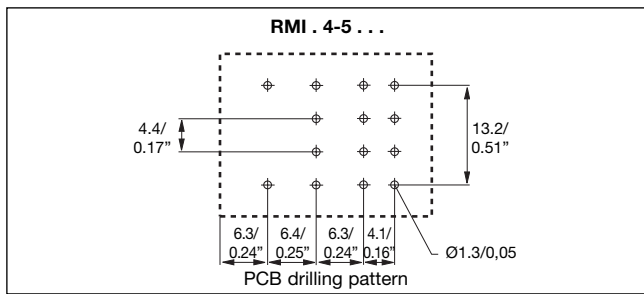
Insulation

Test Voltage (1 min.) Between coil and contacts Between open contacts Contact/Contact	3750VAC Vr.m.s 750VAC Vr.m.s 1250VA Vr.m.s	Insulation according to EN61810-5 Rated insulation voltage Impulsive insulation voltage Pollution degree Overvoltage category	250V 2.2kV 2 II
Initial insulation resistance	1.000MΩ - 500VAC		

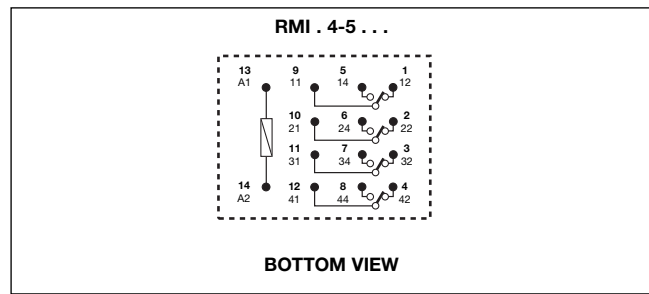
General Data

Nominal coil power	0.9W DC / 1.2VA AC	Shock resistance Funktional Destructive	100m/s² /10g 1000m/s² /100g
Operating time (At nominal voltage)	25ms max.	Humidity	35% to 95% RH non-condensing
Release time (At nominal voltage)	25ms max.	Terminals	PCB or Soldering Lugs (Plug-in)
Ambient temperature	-55° to +70°C (-67° to +158°F)	Weight	~37g (~1.30oz)
Vibration resistance	10 to 55Hz 1.5mm (0.06")		
Construction	Dust cover		

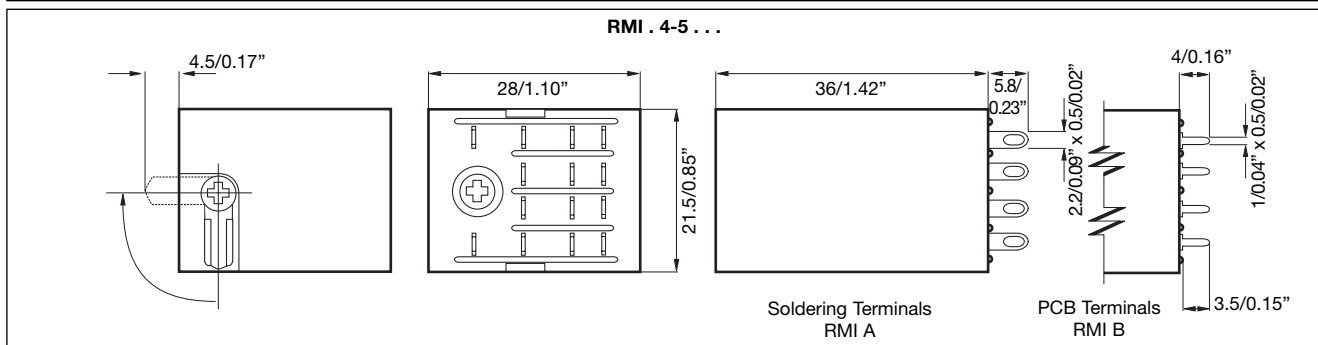
Pin View mm/inches



Wiring Diagram

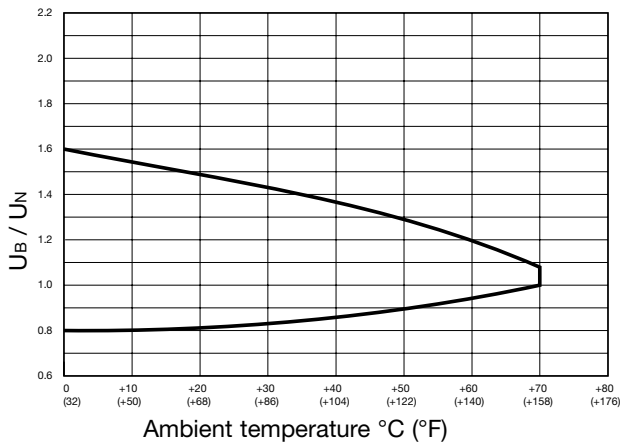


Dimensions mm/inches

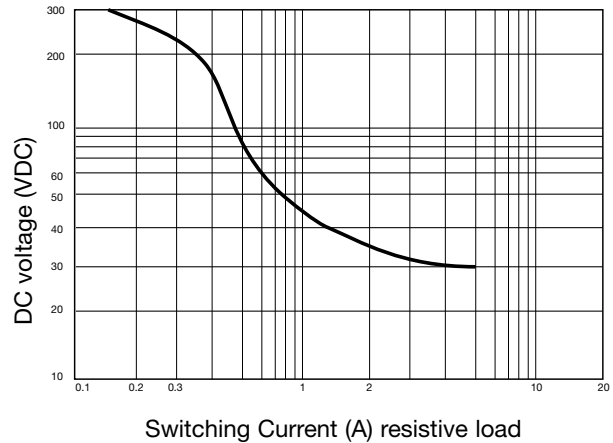


Diagrams

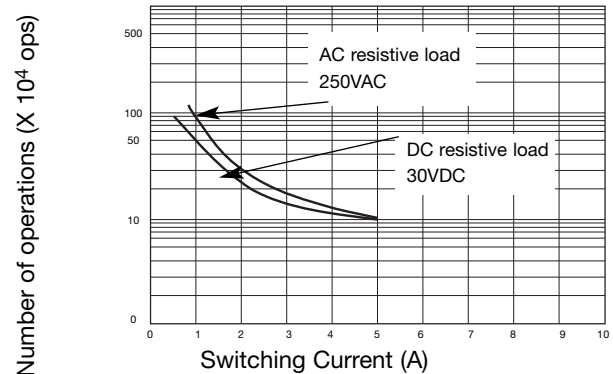
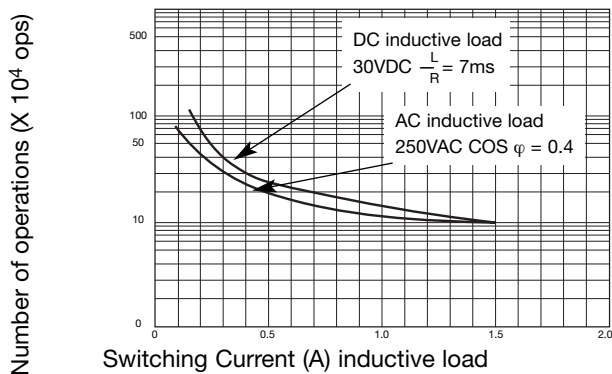
1 Coil Operating Range



2 Max. DC load breaking capacity



3 Electrical life



Bases and Sockets

DIN rail sockets codes are **ZMI4NA**, **ZMI4SA**, **ZMI4GA**, and **ZDM14A** details and specifications from page 45 to 49 of industrial relays catalogue.
 PCB sockets codes are **ZC15/4A** and **ZC15/4** details and specifications on page 51 of industrial relays catalogue.

3 Specifications are subject to change without notice. Pictures are just an example. For special features and/or customization, please ask to our sales network.