



Chipsmall Limited consists of a professional team with an average of over 10 year of expertise in the distribution of electronic components. Based in Hongkong, we have already established firm and mutual-benefit business relationships with customers from,Europe,America and south Asia,supplying obsolete and hard-to-find components to meet their specific needs.

With the principle of "Quality Parts,Customers Priority,Honest Operation,and Considerate Service",our business mainly focus on the distribution of electronic components. Line cards we deal with include Microchip,ALPS,ROHM,Xilinx,Pulse,ON,Everlight and Freescale. Main products comprise IC,Modules,Potentiometer,IC Socket,Relay,Connector.Our parts cover such applications as commercial,industrial, and automotives areas.

We are looking forward to setting up business relationship with you and hope to provide you with the best service and solution. Let us make a better world for our industry!



Contact us

Tel: +86-755-8981 8866 Fax: +86-755-8427 6832

Email & Skype: info@chipsmall.com Web: www.chipsmall.com

Address: A1208, Overseas Decoration Building, #122 Zhenhua RD., Futian, Shenzhen, China



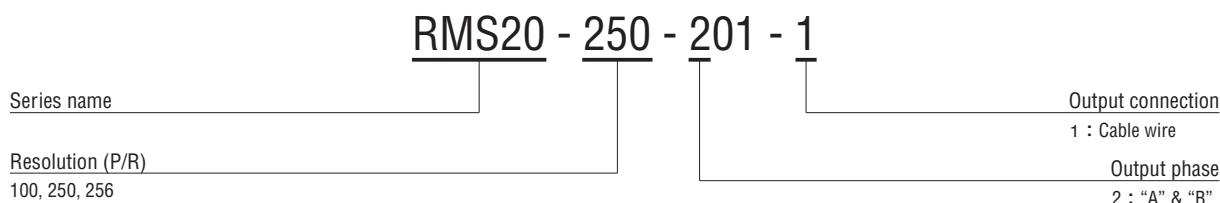
FEATURES

- High resolution of 256 P/R and fine setting
- Lower consumption of electric power (15 mA maximum) due to magnetic method
- Long life for 10⁵ times continuous run due to contactless & magnetic method
- Square wave output (with Amp.)
- Smooth rotation for setting
- RoHS compliant

RoHS compliant



PART NUMBER DESIGNATION



LIST OF PART NUMBERS

Resolution	Item	Input voltage	Part number
100 (P/R)		5 V	RMS20-100-201-1
250 (P/R)			RMS20-250-201-1
256 (P/R)			RMS20-256-201-1

※Verify the above part numbers when placing orders.

STANDARD SPECIFICATIONS

Electrical characteristics

Input voltage	DC5 V ± 5 %		
Input current	15 mA maximum (No load)		
Output wave form	Square wave		
Output phases	A, B		
(P/R) Resolution	100	250	256
Phase difference of outputs A & B	90° ± 45°		
Maximum frequency response	5 kHz		
Output signal	"1 (High)"	+ 4.5 V minimum	
	"0 (Low)"	+ 0.5 V maximum	
Sensor	Magneto-resistive element		

Mechanical characteristics

Rotational torque	4.90 mN·m (50 gf·cm) maximum		
Inertia	3 g·cm ² maximum		
Shaft loading (When mounting)	Radial	9.81 N (1 kgf) maximum	
	Axial	9.81 N (1 kgf) maximum	
Rotational life	10 ⁵ revolution		
Net weight	Approx. 20 g		
Strength of tighten screw	0.49 N·m (5 kgf·cm) maximum		

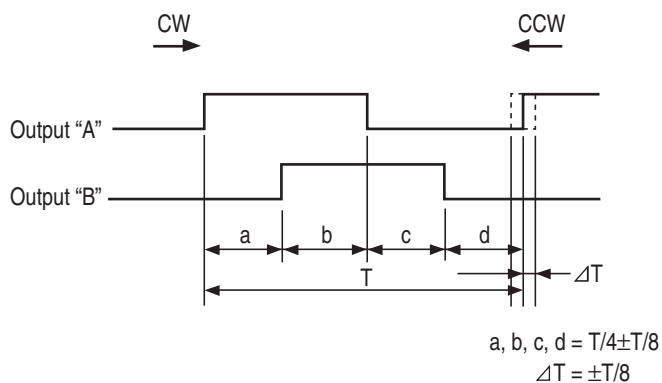
Environmental characteristics

Operating temp. range	- 10 ~ 60 °C		
Storage temp. range	- 40 ~ 70 °C		
Protection grade	IP40		

RMS20

MAGNETIC ENCODERS

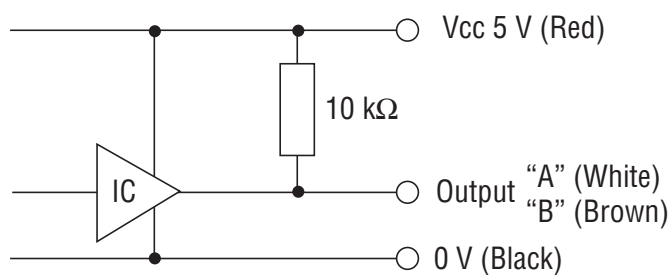
OUTPUT



ELECTRICAL WIRING

Red	Power ⊕
Brown	Output "B"
White	Output "A"
Black	Power 0 (V)

OUTPUT CIRCUIT



Sink current 1 mA maximum (at 25 °C)