



Chipsmall Limited consists of a professional team with an average of over 10 year of expertise in the distribution of electronic components. Based in Hongkong, we have already established firm and mutual-benefit business relationships with customers from,Europe,America and south Asia,supplying obsolete and hard-to-find components to meet their specific needs.

With the principle of “Quality Parts,Customers Priority,Honest Operation,and Considerate Service”,our business mainly focus on the distribution of electronic components. Line cards we deal with include Microchip,ALPS,ROHM,Xilinx,Pulse,ON,Everlight and Freescale. Main products comprise IC,Modules,Potentiometer,IC Socket,Relay,Connector.Our parts cover such applications as commercial,industrial, and automotives areas.

We are looking forward to setting up business relationship with you and hope to provide you with the best service and solution. Let us make a better world for our industry!



## Contact us

Tel: +86-755-8981 8866 Fax: +86-755-8427 6832

Email & Skype: info@chipsmall.com Web: www.chipsmall.com

Address: A1208, Overseas Decoration Building, #122 Zhenhua RD., Futian, Shenzhen, China





**MICROCHIP**

---

**RN2483 LoRa™ Technology  
PICtail™/PICtail Plus  
Daughter Board  
User's Guide**

---

**Note the following details of the code protection feature on Microchip devices:**

- Microchip products meet the specification contained in their particular Microchip Data Sheet.
- Microchip believes that its family of products is one of the most secure families of its kind on the market today, when used in the intended manner and under normal conditions.
- There are dishonest and possibly illegal methods used to breach the code protection feature. All of these methods, to our knowledge, require using the Microchip products in a manner outside the operating specifications contained in Microchip's Data Sheets. Most likely, the person doing so is engaged in theft of intellectual property.
- Microchip is willing to work with the customer who is concerned about the integrity of their code.
- Neither Microchip nor any other semiconductor manufacturer can guarantee the security of their code. Code protection does not mean that we are guaranteeing the product as "unbreakable."

Code protection is constantly evolving. We at Microchip are committed to continuously improving the code protection features of our products. Attempts to break Microchip's code protection feature may be a violation of the Digital Millennium Copyright Act. If such acts allow unauthorized access to your software or other copyrighted work, you may have a right to sue for relief under that Act.

---

Information contained in this publication regarding device applications and the like is provided only for your convenience and may be superseded by updates. It is your responsibility to ensure that your application meets with your specifications. MICROCHIP MAKES NO REPRESENTATIONS OR WARRANTIES OF ANY KIND WHETHER EXPRESS OR IMPLIED, WRITTEN OR ORAL, STATUTORY OR OTHERWISE, RELATED TO THE INFORMATION, INCLUDING BUT NOT LIMITED TO ITS CONDITION, QUALITY, PERFORMANCE, MERCHANTABILITY OR FITNESS FOR PURPOSE. Microchip disclaims all liability arising from this information and its use. Use of Microchip devices in life support and/or safety applications is entirely at the buyer's risk, and the buyer agrees to defend, indemnify and hold harmless Microchip from any and all damages, claims, suits, or expenses resulting from such use. No licenses are conveyed, implicitly or otherwise, under any Microchip intellectual property rights.

**Trademarks**

The Microchip name and logo, the Microchip logo, dsPIC, FlashFlex, flexPWR, JukeBlox, KEELOQ, KEELOQ logo, Kleer, LANCheck, MediaLB, MOST, MOST logo, MPLAB, OptoLyzer, PIC, PICSTART, PIC<sup>32</sup> logo, RightTouch, SpyNIC, SST, SST Logo, SuperFlash and UNI/O are registered trademarks of Microchip Technology Incorporated in the U.S.A. and other countries.

The Embedded Control Solutions Company and mTouch are registered trademarks of Microchip Technology Incorporated in the U.S.A.

Analog-for-the-Digital Age, BodyCom, chipKIT, chipKIT logo, CodeGuard, dsPICDEM, dsPICDEM.net, ECAN, In-Circuit Serial Programming, ICSP, Inter-Chip Connectivity, KleerNet, KleerNet logo, MiWi, MPASM, MPF, MPLAB Certified logo, MPLIB, MPLINK, MultiTRAK, NetDetach, Omniscient Code Generation, PICDEM, PICDEM.net, PICkit, PICtail, RightTouch logo, REAL ICE, SQI, Serial Quad I/O, Total Endurance, TSHARC, USBCheck, VariSense, ViewSpan, WiperLock, Wireless DNA, and ZENA are trademarks of Microchip Technology Incorporated in the U.S.A. and other countries.

SQTP is a service mark of Microchip Technology Incorporated in the U.S.A.

Silicon Storage Technology is a registered trademark of Microchip Technology Inc. in other countries.

GestIC is a registered trademarks of Microchip Technology Germany II GmbH & Co. KG, a subsidiary of Microchip Technology Inc., in other countries.

All other trademarks mentioned herein are property of their respective companies.

© 2015, Microchip Technology Incorporated, Printed in the U.S.A., All Rights Reserved.

ISBN: 978-1-63277-330-2

**QUALITY MANAGEMENT SYSTEM  
CERTIFIED BY DNV  
= ISO/TS 16949 =**

*Microchip received ISO/TS-16949:2009 certification for its worldwide headquarters, design and wafer fabrication facilities in Chandler and Tempe, Arizona; Gresham, Oregon and design centers in California and India. The Company's quality system processes and procedures are for its PIC<sup>®</sup> MCUs and dsPIC<sup>®</sup> DSCs, KEELOQ<sup>®</sup> code hopping devices, Serial EEPROMs, microperipherals, nonvolatile memory and analog products. In addition, Microchip's quality system for the design and manufacture of development systems is ISO 9001:2000 certified.*

**Object of Declaration: RN2483 LoRa™ Technology PICtail™/PICtail Plus Daughter Board**

**EU Declaration of Conformity**

**Manufacturer:** Microchip Technology Inc.  
2355 W. Chandler Blvd.  
Chandler, Arizona, 85224-6199  
USA

This declaration of conformity is issued by the manufacturer.

The development/evaluation tool is designed to be used for research and development in a laboratory environment. This development/evaluation tool is not a Finished Appliance, nor is it intended for incorporation into Finished Appliances that are made commercially available as single functional units to end users under EU EMC Directive 2004/108/EC and as supported by the European Commission's Guide for the EMC Directive 2004/108/EC (8<sup>th</sup> February 2010).

This development/evaluation tool complies with EU RoHS2 Directive 2011/65/EU.

This development/evaluation tool, when incorporating wireless and radio-telecom functionality, is in compliance with the essential requirement and other relevant provisions of the R&TTE Directive 1999/5/EC and the FCC rules as stated in the declaration of conformity provided in the module datasheet and the module product page available at [www.microchip.com](http://www.microchip.com).

For information regarding the exclusive, limited warranties applicable to Microchip products, please see Microchip's standard terms and conditions of sale, which are printed on our sales documentation and available at [www.microchip.com](http://www.microchip.com).

Signed for and on behalf of Microchip Technology Inc. at Chandler, Arizona, USA

  
Derek Carlson  
VP Development Tools

12-Sep-14  
Date

**NOTES:**



# RN2483 LoRa™ TECHNOLOGY PICtail™/PICtail PLUS DAUGHTER BOARD USER'S GUIDE

---

---

## Table of Contents

---

---

<b>Preface</b> .....	<b>7</b>
<b>Chapter 1. Overview</b>	
1.1 Introduction .....	11
1.2 Features .....	11
1.3 Contents .....	13
1.4 Board Configuration .....	13
<b>Chapter 2. Getting Started</b>	
2.1 Introduction .....	15
2.2 Communication Modes .....	15
2.3 Communication to the Module .....	16
2.4 Hardware Description .....	16
<b>Appendix A. Board Schematic and PCB Details</b>	
A.1 Introduction .....	19
A.2 Board Schematic .....	19
A.3 PCB Layout .....	21
A.4 Bill of Materials .....	24
<b>Worldwide Sales and Service</b> .....	<b>25</b>

**NOTES:**





# RN2483 LoRa™ TECHNOLOGY PICtail™/PICtail PLUS DAUGHTER BOARD USER'S GUIDE

## Preface

### NOTICE TO CUSTOMERS

All documentation becomes dated, and this manual is no exception. Microchip tools and documentation are constantly evolving to meet customer needs, so some actual dialogs and/or tool descriptions may differ from those in this document. Please refer to our web site ([www.microchip.com](http://www.microchip.com)) to obtain the latest documentation available.

Documents are identified with a “DS” number. This number is located on the bottom of each page, in front of the page number. The numbering convention for the DS number is “DSXXXXXXXXA”, where “XXXXXXXX” is the document number and “A” is the revision level of the document.

For the most up-to-date information on development tools, see the MPLAB® IDE online help. Select the Help menu, and then Topics to open a list of available online help files.

## INTRODUCTION

This chapter contains general information that will be useful to know before using the RN2483 LoRa™ Technology PICtail™/PICtail Plus Daughter Board. Items discussed in this chapter include:

- [Document Layout](#)
- [Conventions Used in this Guide](#)
- [Recommended Reading](#)
- [The Microchip Web Site](#)
- [Development Systems Customer Change Notification Service](#)
- [Customer Support](#)
- [Document Revision History](#)

## DOCUMENT LAYOUT

This document describes how to use the RN2483 LoRa™ Technology PICtail™/PICtail Plus Daughter Board as a development tool to emulate and debug firmware on a target board, as well as how to program devices. The document is organized as follows:

- [Chapter 1. “Overview”](#) – This chapter describes the RN2483 LoRa™ Technology PICtail™/PICtail Plus Daughter Board and presents various board configurations.
- [Chapter 2. “Getting Started”](#) – This chapter describes the two main communication modes and the hardware requirements for getting started with RN2483 LoRa™ Technology PICtail™/PICtail Plus Daughter Board.
- [Appendix A. “Board Schematic and PCB Details”](#) – This appendix provides the RN2483 LoRa™ Technology PICtail™/PICtail Plus Daughter Board’s schematic, PCB layouts and Bill of Materials (BOM).



## CONVENTIONS USED IN THIS GUIDE

This manual uses the following documentation conventions:

### DOCUMENTATION CONVENTIONS

Description	Represents	Examples
<b>Arial font:</b>		
Italic characters	Referenced books	<i>MPLAB® IDE User's Guide</i>
	Emphasized text	...is the <i>only</i> compiler...
Initial caps	A window	the Output window
	A dialog	the Settings dialog
	A menu selection	select Enable Programmer
Quotes	A field name in a window or dialog	"Save project before build"
Underlined, italic text with right angle bracket	A menu path	<u><i>File&gt;Save</i></u>
Bold characters	A dialog button	Click <b>OK</b>
	A tab	Click the <b>Power</b> tab
N'Rnnnn	A number in verilog format, where N is the total number of digits, R is the radix and n is a digit.	4'b0010, 2'hF1
Text in angle brackets < >	A key on the keyboard	Press <Enter>, <F1>
<b>Courier New font:</b>		
Plain Courier New	Sample source code	#define START
	Filenames	autoexec.bat
	File paths	c:\mcc18\h
	Keywords	_asm, _endasm, static
	Command-line options	-Opa+, -Opa-
	Bit values	0, 1
	Constants	0xFF, 'A'
Italic Courier New	A variable argument	<i>file.o</i> , where <i>file</i> can be any valid filename
Square brackets [ ]	Optional arguments	mcc18 [options] <i>file</i> [options]
Curly brackets and pipe character: {   }	Choice of mutually exclusive arguments; an OR selection	errorlevel {0 1}
Ellipses...	Replaces repeated text	var_name [, var_name...]
	Represents code supplied by user	void main (void) { ... }

## RECOMMENDED READING

This user's guide describes how to use LoRa™ Technology PICtail™/PICtail Plus Daughter Board. Other useful documents are listed below. The following Microchip documents are available and recommended as supplemental reference resources:

**RN2483 Low-Power Long Range LoRa™ Technology Transceiver Module Data Sheet (DS50002346A)**

This data sheet provides detailed specifications for the RN2483 module.

**RN2483 LoRa™ Technology Module Command Reference User's Guide (DS40001784A)**

This command reference user's guide describes how to configure the RN2483 module.

## THE MICROCHIP WEB SITE

Microchip provides online support via our web site at [www.microchip.com](http://www.microchip.com). This web site is used as a means to make files and information easily available to customers. Accessible by using your favorite Internet browser, the web site contains the following information:

- **Product Support** – Data sheets and errata, application notes and sample programs, design resources, user's guides and hardware support documents, latest software releases and archived software
- **General Technical Support** – Frequently Asked Questions (FAQs), technical support requests, online discussion groups, Microchip consultant program member listing
- **Business of Microchip** – Product selector and ordering guides, latest Microchip press releases, listing of seminars and events, listings of Microchip sales offices, distributors and factory representatives

## DEVELOPMENT SYSTEMS CUSTOMER CHANGE NOTIFICATION SERVICE

Microchip's customer notification service helps keep customers current on Microchip products. Subscribers will receive e-mail notification whenever there are changes, updates, revisions or errata related to a specified product family or development tool of interest.

To register, access the Microchip web site at [www.microchip.com](http://www.microchip.com), click on Customer Change Notification and follow the registration instructions.

The Development Systems product group categories are:

- **Compilers** – The latest information on Microchip C compilers and other language tools
- **Emulators** – The latest information on the Microchip MPLAB® REAL ICE™ in-circuit emulator
- **In-Circuit Debuggers** – The latest information on the Microchip in-circuit debuggers. This includes MPLAB ICD 3 in-circuit debuggers and PICkit™ 3 debug express
- **MPLAB X IDE** – The latest information on Microchip MPLAB X IDE, the Windows® Integrated Development Environment for development systems tools
- **Programmers** – The latest information on Microchip programmers including the PICkit™ 3 development programmer

## CUSTOMER SUPPORT

Users of Microchip products can receive assistance through several channels:

- Distributor or Representative
- Local Sales Office
- Field Application Engineer (FAE)
- Technical Support

Customers should contact their distributor, representative or field application engineer (FAE) for support. Local sales offices are also available to help customers. A listing of sales offices and locations is included in the back of this document.

Technical support is available through the web site at:  
<http://www.microchip.com/support>.

## DOCUMENT REVISION HISTORY

### Revision A (April 2015)

This is the initial release of this document.

---

---

## Chapter 1. Overview

---

---

### 1.1 INTRODUCTION

The RN2483 LoRa™ Technology PICtail™/PICtail Plus Daughter Board is a demonstration board that showcases the Microchip RN2483 Low-Power Long Range, LoRa™ Technology Transceiver Module.

The RN2483 LoRa Technology PICtail/PICtail Plus Daughter Board provides access to the RN2483 UART and General Purpose Input and Output (GPIO) ports.

This chapter discusses the following topics:

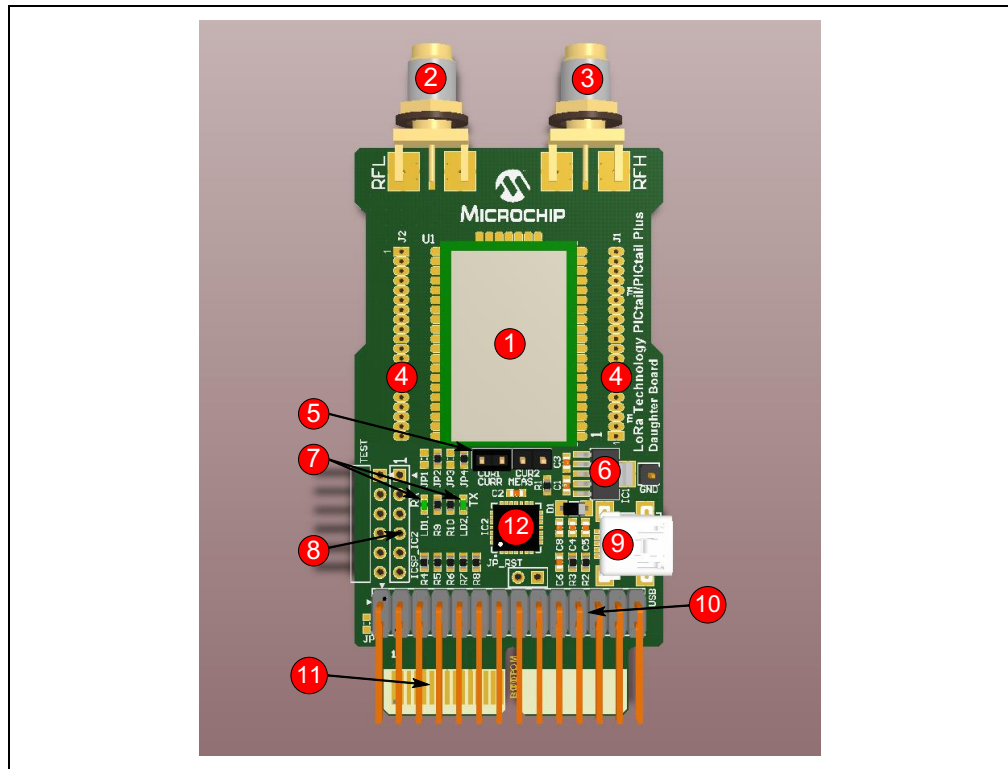
- [Features](#)
- [Contents](#)
- [Board Configuration](#)

### 1.2 FEATURES

The RN2483 LoRa Technology PICtail/PICtail Plus Daughter Board has the following features as represented in [Figure 1-1](#):

1. Microchip RN2483 Low-Power Long Range, LoRa™ Technology Transceiver Module
2. SMA connector for 433 MHz band
3. SMA connector for 868 MHz band
4. Solder pads around the module for GPIOs, power pins and communication signals
5. Supply Current measurement points
6. On-board LDO
7. UART traffic LEDs
8. ICSP header to program the on-board PIC18 MCU
9. USB connector
10. PICtail connection interface
11. PICtail Plus connection interface
12. PIC18 MCU for custom functions

**FIGURE 1-1: RN2483 LORA™ TECHNOLOGY PICtail™/PICtail PLUS DAUGHTER BOARD**



The high-speed UART interface and the GPIO ports are available on the module to configure, control, and transfer data. The RN2483 LoRa Technology PICtail/PICtail Plus Daughter Board has PICtail and PICtail Plus connectors to interface with a PIC® microcontroller (MCU) on the development boards that support PICtail or PICtail Plus interface with the required pin mapping. The PICtail board also has an on-board PIC18 MCU available for custom user functions. It is preprogrammed to provide a simple USB-to-UART serial bridge enabling easy serial connection.

Demonstration of the RN2483 is performed by plugging the daughter board into a USB port of a PC. The USB port powers the daughter board and enables the user to communicate using the RN2483's ASCII commands.

Development of the RN2483 with Microchip's PIC MCU line is possible via the 28-pin PICtail connector to a PIC18 Explorer or 30-pin card edge PICtail Plus connector to an Explorer 16.

## 1.3 CONTENTS

The package kit contents contain the following tools as listed in [Table 1-1](#).

**TABLE 1-1: RN2483 LORA™ TECHNOLOGY PICTail™/PICTail PLUS DAUGHTER BOARD**

Description	Part Number
RN2483 LoRa™ Technology PICTail™/PICTail Plus Daughter Board	RN-2483-PICTail
USB Cable	—
433 MHz antenna	—
868 MHz antenna	—

## 1.4 BOARD CONFIGURATION

Prior plugging the module into the motherboard's socket, ensure that one of the current measure jumpers, CUR1 or CUR2, are shunted.

PICTail Daughter Board can be powered from two sources, either from one of the PICTail headers or from USB. Both power sources can be active at the same time.

RF antennas must be connected to the SMA connectors prior attaching power to the board.

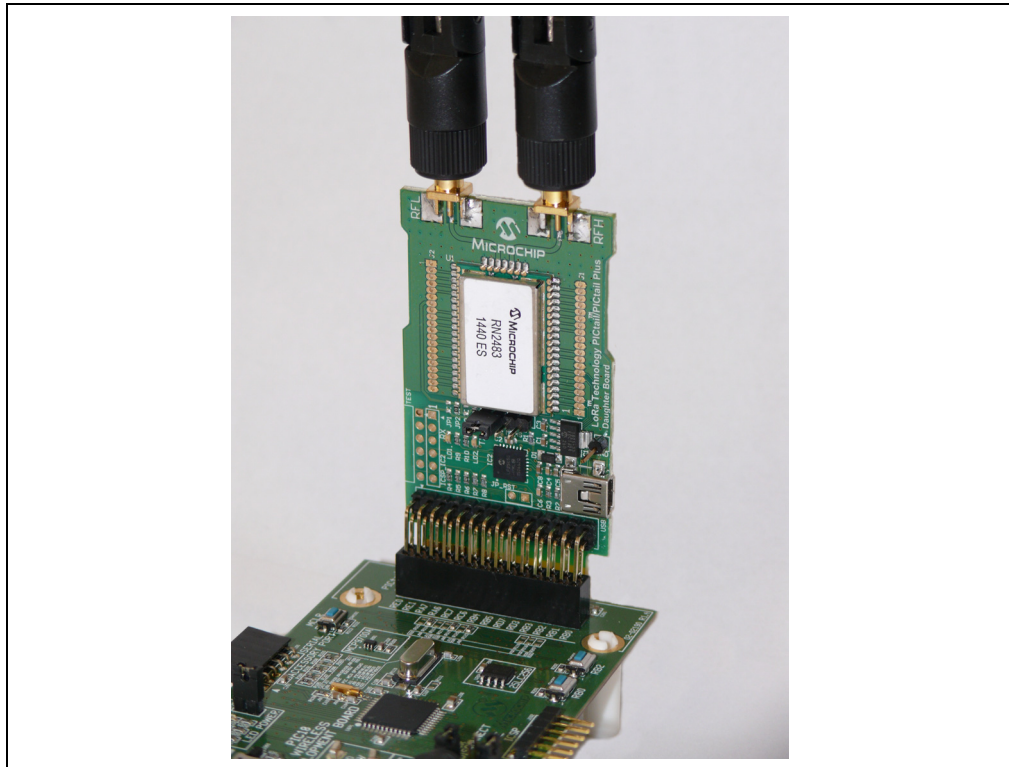
Ensure that the applied power supply voltage does *not* exceed the board limits.

[Figure 1-2](#), [Figure 1-3](#), and [Figure 1-4](#) show the connection to various development boards.

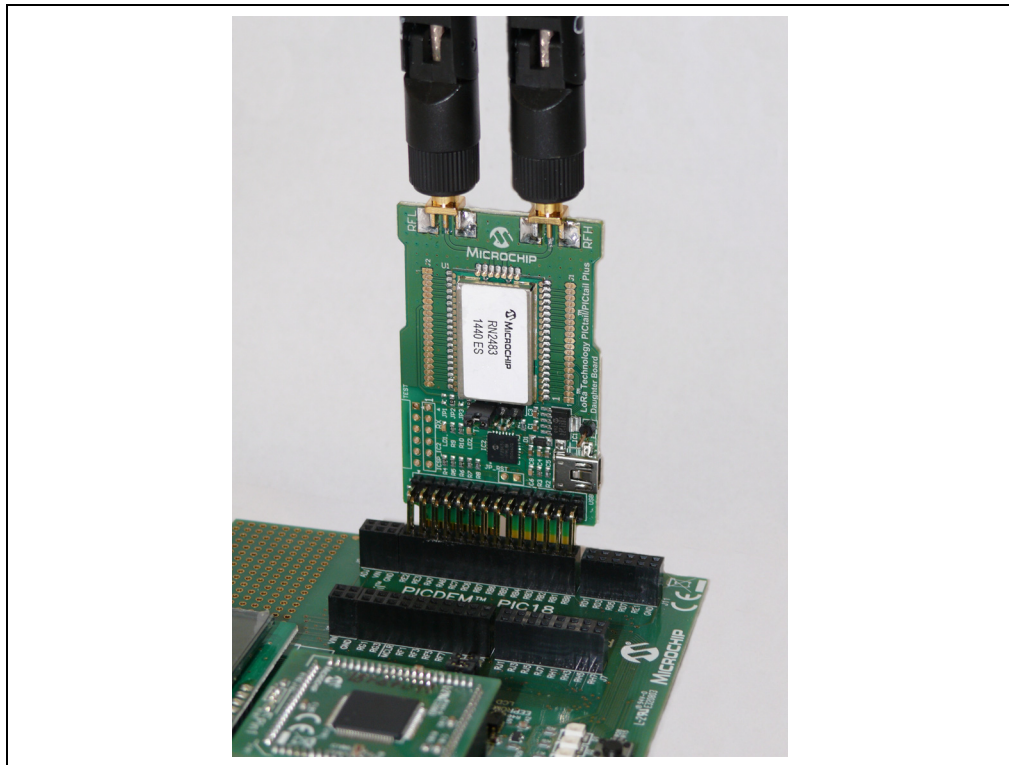
**FIGURE 1-2: RN2483 LORA™ TECHNOLOGY PICTail™/PICTail PLUS DAUGHTER BOARD CONNECTED TO EXPLORER 16 DEVELOPMENT BOARD**



**FIGURE 1-3: RN2483 LORA™ TECHNOLOGY PICtail™/PICtail PLUS DAUGHTER BOARD CONNECTED TO PIC18 WIRELESS DEVELOPMENT BOARD**



**FIGURE 1-4: RN2483 LORA™ TECHNOLOGY PICtail™/PICtail PLUS DAUGHTER BOARD CONNECTED TO PICDEM™ PIC18 EXPLORER DEMONSTRATION BOARD**





---

---

## Chapter 2. Getting Started

---

---

### 2.1 INTRODUCTION

This chapter describes the hardware requirements for RN2483 LoRa Technology PICtail/PICtail Plus Daughter Board and also provides the different types of communication modes.

The module accepts commands via UART interface. Basically, two communication modes are supported by the daughter board, USB mode and PICtail mode.

PICtail mode gives more computing power to the user program, since motherboards contain additional MCUs.

This chapter discusses the following topics:

- [Communication Modes](#)
- [Communication to the Module](#)
- [Hardware Description](#)

### 2.2 COMMUNICATION MODES

#### 2.2.1 USB mode

USB mode is initiated if the daughter board is connected to a USB port via a mini-USB cable. In this mode, the on-board PIC18 MCU provides a USB-to-UART bridge.

Supply voltage is provided via USB and the on-board LDO (IC1) which regulates 5V to the nominal 3.3V.

#### 2.2.2 PICtail mode

PICtail mode is initiated if no USB cable is attached to the board and the board is plugged into the appropriate motherboard.

**Note:** User must ensure that PICtail/PICtail Plus port pins are fully compatible to the pinout of the daughter board.

When USB power is *not* attached, the on-board PIC18 MCU does *not* influence UART communication.

**Note:** Some motherboards may adjust the supply voltage to the attached MCU Plug-in Module. Do *not* exceed the supply voltage limits of the module.

#### 2.2.3 PICtail mode with USB connected

The daughter board can be used in a third mode when it is connected to a PICtail motherboard while the USB is also connected. It is useful when the user wants to set the supply voltage from the PICtail connector while the communication must be continuously active via the USB interface. The on-board PIC18 MCU takes over the control of the UART interface. In this case, the motherboard is unable to send UART messages to the module, however, the messages sent by the module appear on the PICtail UART.

Another case is that the motherboard does *not* have power supply. In this case, the motherboard can be powered from the USB together with the daughter board. User must take care of the maximum output current of the on-board LDO, which is 500 mA. A short on the jumper JP\_RST on the daughter board forces the board to operate in PICtail mode, although USB remains connected. The jumper JP\_RST keeps the on-board PIC18 MCU in reset state to ensure that USB-to-UART protocol translation is *not* performed in this mode. If jumper JP\_RST is *not* shorted, on-board PIC18 MCU has the priority over the UART communication.

**Note:** Only 30-pin PICtail Plus connection is detected. If the daughter board is attached to a 28-pin PICtail connector, the jumper JP\_RST has no affect.

## 2.3 COMMUNICATION TO THE MODULE

In PICtail mode, the Microchip 8/16/32-bit PIC MCUs on the motherboards can run custom functions and connect to the module using the UART interface, which accepts ASCII commands from the host.

In USB mode, when the daughter board is connected to the host via USB, the on-board PIC18 MCU uses the CDC class to create a USB-to-UART bridge device. The host can run a simple terminal emulator application to issue commands.

## 2.4 HARDWARE DESCRIPTION

The RF signal path is connected to the SMA edge connectors. The 433 MHz band RF signal is transmitted through RFL SMA edge connector, whereas RFH SMA connector is used for the 868 MHz band.

The current consumption measurement of the module is supported by the on-board current measure jumpers. If jumper CUR1 is shunted, the supply current flows directly to the module.

There are two ways to measure current consumption:

- A current meter can be connected to CUR1 jumper pins to measure the actual current consumption of the module. CUR2 must be left open.
- The current consumption graph can be recorded in the time domain by removing the shunt from CUR1 jumper and shunting CUR2 at the same time. Use a two channel oscilloscope, which supports subtracting mathematical function. Connect oscilloscope probes to CUR1 jumper pins while CUR2 jumper is shunted. Set the oscilloscope to display the difference between the two channels.

All pins of the module can be accessed via through hole pads which is located on both sides of the module. User can mount two 1.27 mm pitched socket headers if required. Sockets can connect the module pins to a custom board, whereas the daughter board provides the power. The through hole pads are classified into two groups which are located on both sides of the module. Each pad group, J1 and J2, has a dedicated pad on which power is delivered to the custom board. The supply current is measured together with the module's supply current. To do this, JP2 must be shorted for J2 and JP3 for J1.

If the supply current is separated from the module, the other two jumpers must be shorted. To power the custom board separately, shunt JP1 or JP4.

The on-board PIC18 MCU is programmable via programming port ICSP\_IC2. In USB mode, LD1 and LD2 LEDs indicate communication on the UART.

Table 2-1 shows the PICtail/PICtail Plus connections to various boards.

**TABLE 2-1: PICtail™ AND PICtail PLUS CONNECTIONS**

Signal Name	Description	Pin number on PICtail connector	Pin number on PICtail Plus connector
+3V3	Positive Supply Rail	26	21, 22
GND	Ground Supply Rail	28	9, 10, 16
Module_TX	UART transmit output of the module	21	2
Module_RX	UART receive input of the module	17	4
Module_RTS	UART Hardware handshake output of the module <sup>(1)</sup>	4	19
Module_CTS	UART Hardware handshake input of the module <sup>(1)</sup>	3	20
PT_Module_RESET	Master Clear input of the module	1	6
PT+_SENSE	Sensing signal for PICtail Plus connector (the platform connects this line to GND when plugged)	—	15

**Note 1:** Optional handshake lines are supported in future firmware releases.

**NOTES:**



# RN2483 LoRa™ TECHNOLOGY PICtail™/PICtail PLUS DAUGHTER BOARD USER'S GUIDE

---

---

## Appendix A. Board Schematic and PCB Details

---

---

### A.1 INTRODUCTION

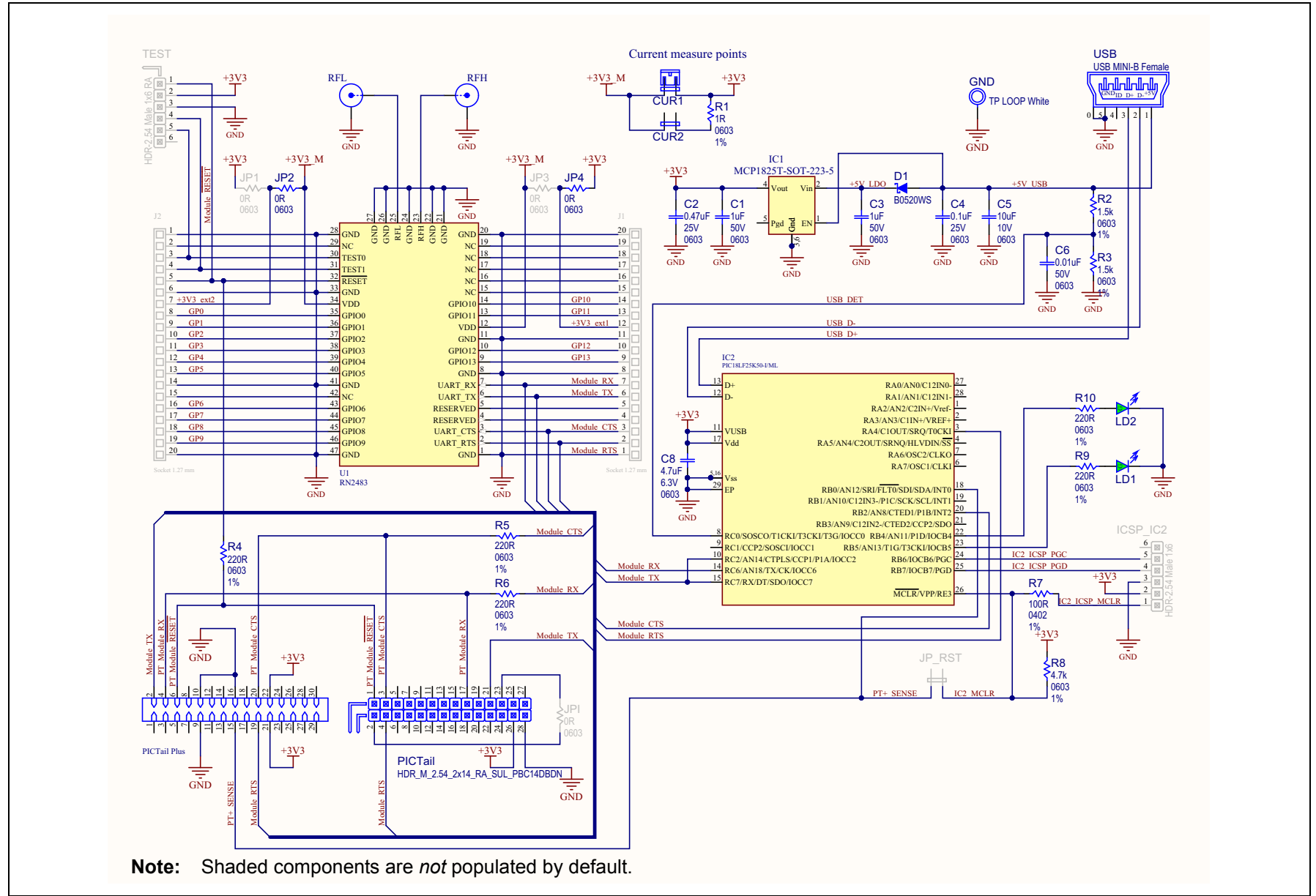
This appendix provides the RN2483 LoRa Technology PICtail/PICtail Plus Daughter Board schematic, PCB layout and Bill of Materials (BOM).

- [Board Schematic](#)
- [PCB Layout](#)
- [Bill of Materials](#)

### A.2 BOARD SCHEMATIC

[Figure A-1](#) shows the board schematic.

FIGURE A-1: RN2483 LORA™ TECHNOLOGY PICTail™/PICTail PLUS DAUGHTER BOARD SCHEMATIC



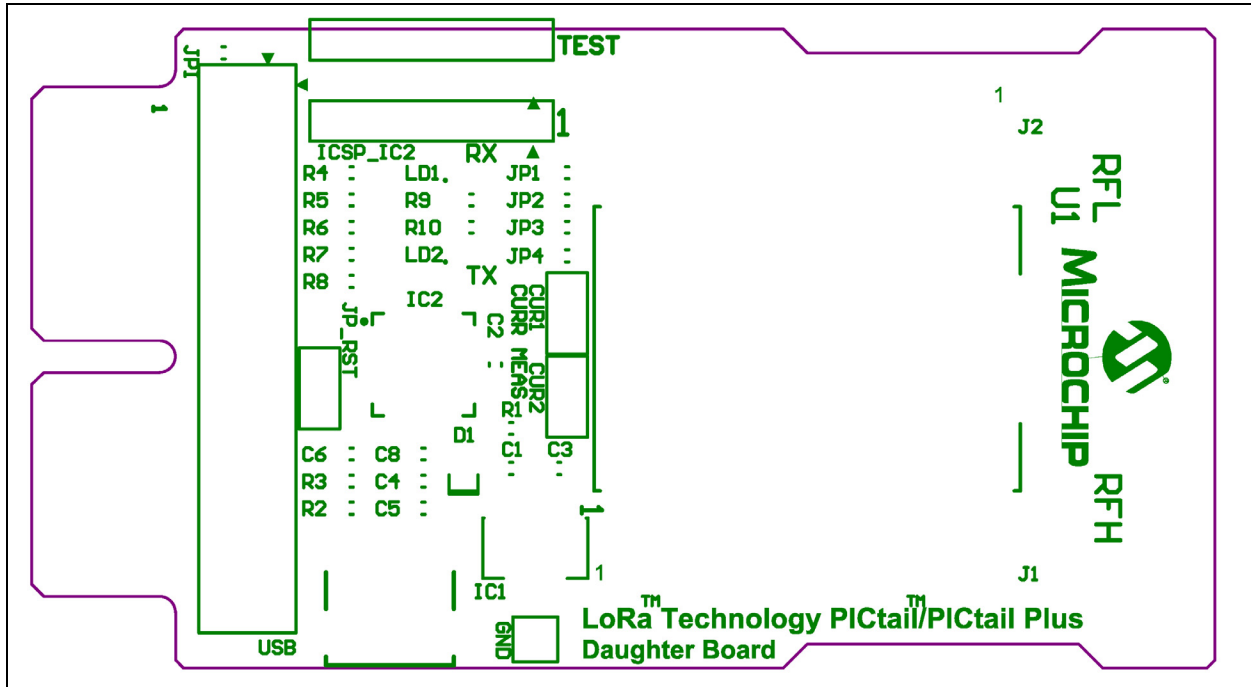
# Board Schematic and PCB Details

## A.3 PCB LAYOUT

LoRa Technology PICtail/PICtail Plus Daughter Board is a 2-layer, FR4, 1.55 mm, plated through hole PCB construction.

Figure A-2 through Figure A-4 illustrate the PCB layers, Figure A-5 shows the assembly drawing of LoRa Technology PICtail/PICtail Plus Daughter Board.

**FIGURE A-2: RN2483 LORA™ TECHNOLOGY PICtail™/PICtail PLUS DAUGHTER BOARD TOP SILKSCREEN**



**FIGURE A-3: RN2483 LORA™ TECHNOLOGY PICtail™/PICtail PLUS DAUGHTER BOARD TOP COPPER**

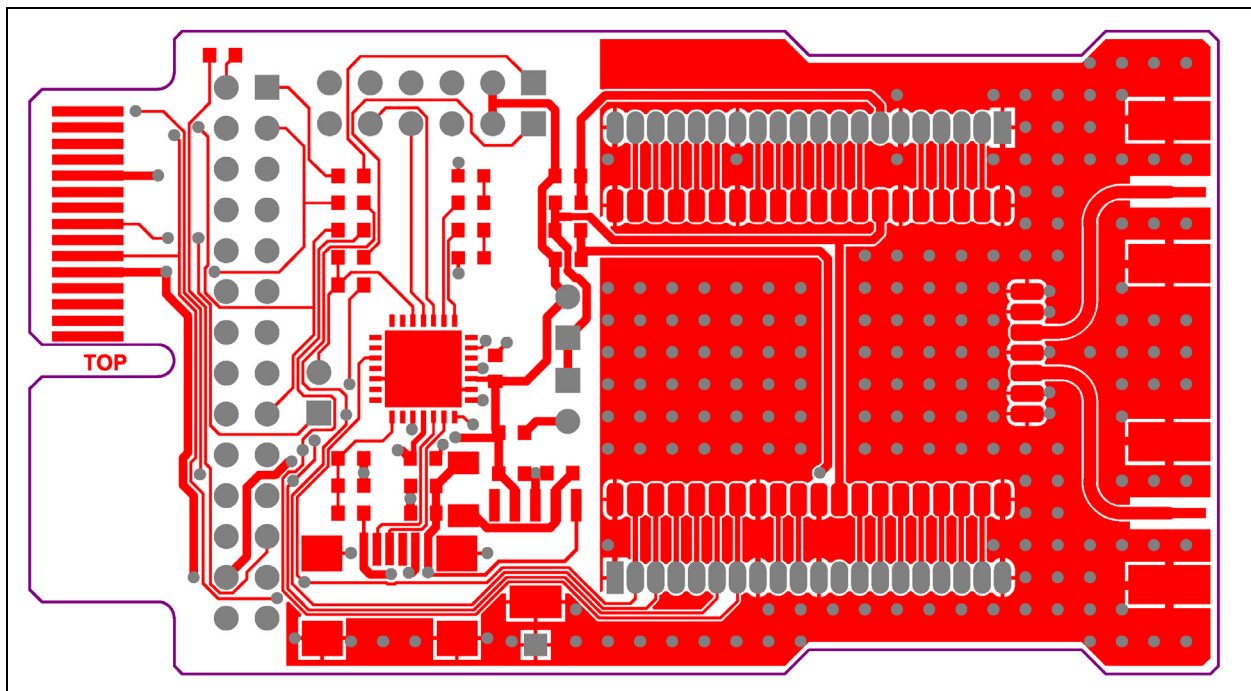
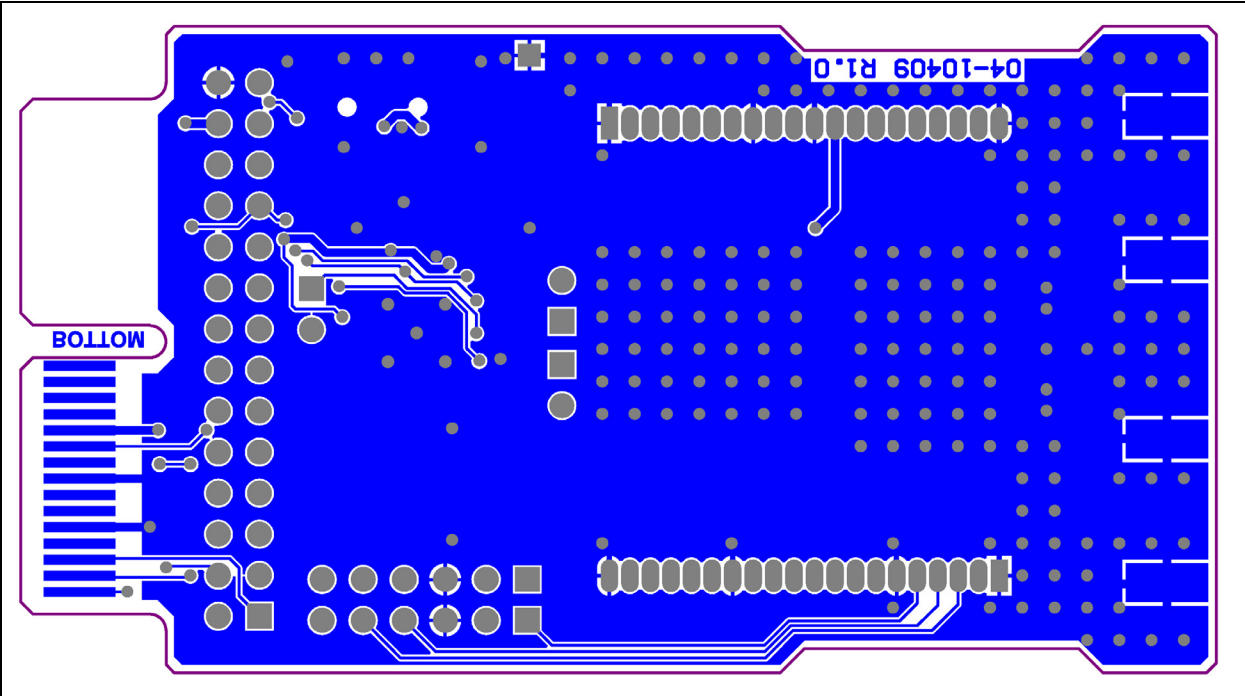


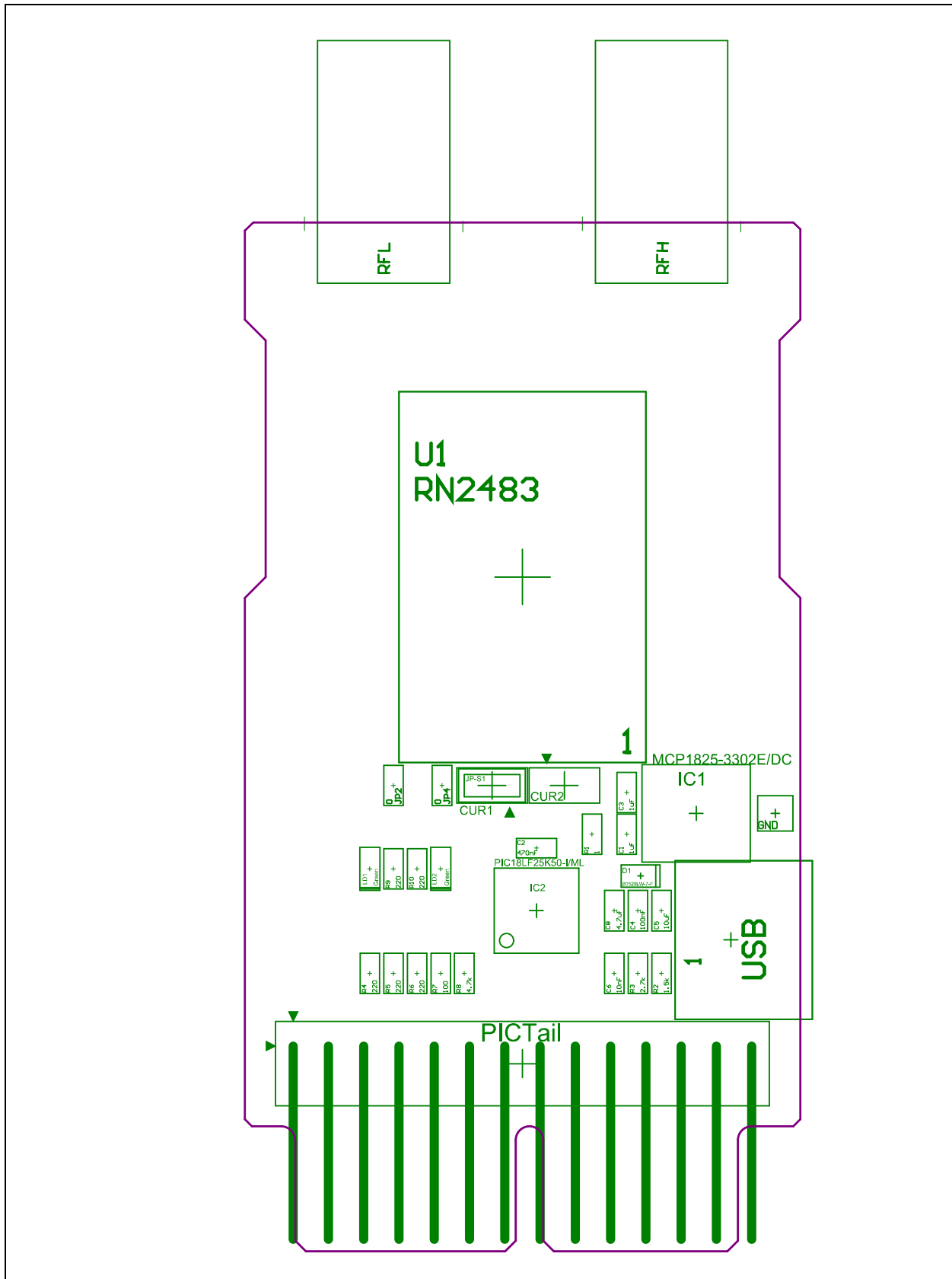


FIGURE A-4: RN2483 LORA™ TECHNOLOGY PICtail™/PICtail PLUS DAUGHTER BOARD BOTTOM COPPER (BOTTOM VIEW)



# Board Schematic and PCB Details

FIGURE A-5: RN2483 LORA™ TECHNOLOGY PICTail™/PICTail PLUS DAUGHTER BOARD TOP ASSEMBLY



## A.4 BILL OF MATERIALS

**TABLE A-1: RN2483 LORA™ TECHNOLOGY PICTail™/PICTail PLUS DAUGHTER BOARD BILL OF MATERIALS (BOM)**

Reference	Value	Description	Vendor	Vendor P/N
C1, C3	1uF	CAP, 0603, 25V, 10%, X7R	Murata Electronics North America	GRM188R71E105KA12D
C2	470nF	CAP, 0603, 25V, 10%, X7R	Murata Electronics North America	GRM188R71E474KA12D
C4	100nF	CAP, 0603, 25V, Y5V	Yageo	CC0603ZRY5V8BB104
C5	10uF	CAP, 0603, 6.3V, 20%, X5R	Murata Electronics North America	GRM188R60J106ME47D
C6	10nF	CAP, 0603, 50V, 10%, X7R	Murata Electronics North America	GRM188R71H103KA01D
C8	4.7uF	CAP, 0603, 6.3V, 10%, X5R	Murata Electronics North America	GRM188R60J475KE19D
CUR1, CUR2	—	CONN Pin2 2.54 mm_jumper	Harwin Inc	M20-9990245
D1	—	DIODE SCHOTTKY 20V 0.5A SOD123	Diodes Inc	B0520LW-7-F
GND	—	CONN Pin1	Keystone	5012
IC1	—	IC MCP1825-3302E/DC	Microchip	MCP1825-3302E/DC
IC2	—	IC PIC18LF25K50-I/ML	Microchip	PIC18LF25K50-I/ML
JP2, JP4	—	RES 0 OHM 0603 JUMPER 2P	Vishay Dale	CRCW06030000Z0EA
JP-S1	—	JUMPER SHUNT 2POS 2.54 mm LOPRO GOLD	TE Connectivity	382811-8
LD1, LD2	—	LED 565NM GRN DIFF 0603	Lumex Opto/Components Inc	SML-LX0603GW-TR
PICTail	—	CONN Pin14x2 2.54 mm right angle (PBC14DBDN)	Sullins Connector Solutions	PBC14DBDN
R1	1.00 Ohm	RES 0603 1/10W 1%	Yageo	RC0603FR-071RL
R2	1.50 kOhm	RES 0603 1/10W 1%	Vishay Dale	CRCW06031K50FKEA
R3	2.70 kOhm	RES 0603 1/10W 1%	Vishay Dale	CRCW06032K70FKEA
R4, R5, R6, R9, R10	220 Ohm	RES 0603 1/10W 1%	Vishay Dale	CRCW0603220RFKEA
R7	100 Ohm	RES 0603 1/10W 1%	Vishay Dale	CRCW0603100RFKEA
R8	4.70 kOhm	RES 0603 1/10W 1%	Vishay Dale	CRCW06034K70FKEA
RFH, RFL	—	CONN JACK SMA 50 OHM EDGE MOUNT	Cinch Connectivity Solutions Johnson	142-0711-821
U1	—	RF module RN2483 LoRa EU 433/868MHz	Microchip	RN2483
USB	—	CONN MINI B USB R/A SMD	Hirose	UX60-MB-5ST



# MICROCHIP

## Worldwide Sales and Service

### AMERICAS

#### Corporate Office

2355 West Chandler Blvd.  
Chandler, AZ 85224-6199  
Tel: 480-792-7200  
Fax: 480-792-7277  
Technical Support:  
<http://www.microchip.com/support>

#### Web Address:

[www.microchip.com](http://www.microchip.com)

#### Atlanta

Duluth, GA  
Tel: 678-957-9614  
Fax: 678-957-1455

#### Austin, TX

Tel: 512-257-3370

#### Boston

Westborough, MA  
Tel: 774-760-0087  
Fax: 774-760-0088

#### Chicago

Itasca, IL  
Tel: 630-285-0071  
Fax: 630-285-0075

#### Cleveland

Independence, OH  
Tel: 216-447-0464  
Fax: 216-447-0643

#### Dallas

Addison, TX  
Tel: 972-818-7423  
Fax: 972-818-2924

#### Detroit

Novi, MI  
Tel: 248-848-4000

#### Houston, TX

Tel: 281-894-5983  
Indianapolis

#### Noblesville, IN

Tel: 317-773-8323  
Fax: 317-773-5453

#### Los Angeles

Mission Viejo, CA  
Tel: 949-462-9523  
Fax: 949-462-9608

#### New York, NY

Tel: 631-435-6000

#### San Jose, CA

Tel: 408-735-9110

#### Canada - Toronto

Tel: 905-673-0699  
Fax: 905-673-6509

### ASIA/PACIFIC

#### Asia Pacific Office

Suites 3707-14, 37th Floor  
Tower 6, The Gateway  
Harbour City, Kowloon

#### Hong Kong

Tel: 852-2943-5100  
Fax: 852-2401-3431

#### Australia - Sydney

Tel: 61-2-9868-6733  
Fax: 61-2-9868-6755

#### China - Beijing

Tel: 86-10-8569-7000  
Fax: 86-10-8528-2104

#### China - Chengdu

Tel: 86-28-8665-5511  
Fax: 86-28-8665-7889

#### China - Chongqing

Tel: 86-23-8980-9588  
Fax: 86-23-8980-9500

#### China - Dongguan

Tel: 86-769-8702-9880

#### China - Hangzhou

Tel: 86-571-8792-8115  
Fax: 86-571-8792-8116

#### China - Hong Kong SAR

Tel: 852-2943-5100  
Fax: 852-2401-3431

#### China - Nanjing

Tel: 86-25-8473-2460  
Fax: 86-25-8473-2470

#### China - Qingdao

Tel: 86-532-8502-7355  
Fax: 86-532-8502-7205

#### China - Shanghai

Tel: 86-21-5407-5533  
Fax: 86-21-5407-5066

#### China - Shenyang

Tel: 86-24-2334-2829  
Fax: 86-24-2334-2393

#### China - Shenzhen

Tel: 86-755-8864-2200  
Fax: 86-755-8203-1760

#### China - Wuhan

Tel: 86-27-5980-5300  
Fax: 86-27-5980-5118

#### China - Xian

Tel: 86-29-8833-7252  
Fax: 86-29-8833-7256

### ASIA/PACIFIC

#### China - Xiamen

Tel: 86-592-2388138  
Fax: 86-592-2388130

#### China - Zhuhai

Tel: 86-756-3210040  
Fax: 86-756-3210049

#### India - Bangalore

Tel: 91-80-3090-4444  
Fax: 91-80-3090-4123

#### India - New Delhi

Tel: 91-11-4160-8631  
Fax: 91-11-4160-8632

#### India - Pune

Tel: 91-20-3019-1500

#### Japan - Osaka

Tel: 81-6-6152-7160  
Fax: 81-6-6152-9310

#### Japan - Tokyo

Tel: 81-3-6880-3770  
Fax: 81-3-6880-3771

#### Korea - Daegu

Tel: 82-53-744-4301  
Fax: 82-53-744-4302

#### Korea - Seoul

Tel: 82-2-554-7200  
Fax: 82-2-558-5932 or  
82-2-558-5934

#### Malaysia - Kuala Lumpur

Tel: 60-3-6201-9857  
Fax: 60-3-6201-9859

#### Malaysia - Penang

Tel: 60-4-227-8870  
Fax: 60-4-227-4068

#### Philippines - Manila

Tel: 63-2-634-9065  
Fax: 63-2-634-9069

#### Singapore

Tel: 65-6334-8870  
Fax: 65-6334-8850

#### Taiwan - Hsin Chu

Tel: 886-3-5778-366  
Fax: 886-3-5770-955

#### Taiwan - Kaohsiung

Tel: 886-7-213-7828

#### Taiwan - Taipei

Tel: 886-2-2508-8600  
Fax: 886-2-2508-0102

#### Thailand - Bangkok

Tel: 66-2-694-1351  
Fax: 66-2-694-1350

### EUROPE

#### Austria - Wels

Tel: 43-7242-2244-39  
Fax: 43-7242-2244-393

#### Denmark - Copenhagen

Tel: 45-4450-2828  
Fax: 45-4485-2829

#### France - Paris

Tel: 33-1-69-53-63-20  
Fax: 33-1-69-30-90-79

#### Germany - Dusseldorf

Tel: 49-2129-3766400

#### Germany - Munich

Tel: 49-89-627-144-0  
Fax: 49-89-627-144-44

#### Germany - Pforzheim

Tel: 49-7231-424750

#### Italy - Milan

Tel: 39-0331-742611  
Fax: 39-0331-466781

#### Italy - Venice

Tel: 39-049-7625286

#### Netherlands - Drunen

Tel: 31-416-690399  
Fax: 31-416-690340

#### Poland - Warsaw

Tel: 48-22-3325737

#### Spain - Madrid

Tel: 34-91-708-08-90  
Fax: 34-91-708-08-91

#### Sweden - Stockholm

Tel: 46-8-5090-4654

#### UK - Wokingham

Tel: 44-118-921-5800  
Fax: 44-118-921-5820

01/27/15