

Chipsmall Limited consists of a professional team with an average of over 10 year of expertise in the distribution of electronic components. Based in Hongkong, we have already established firm and mutual-benefit business relationships with customers from,Europe,America and south Asia,supplying obsolete and hard-to-find components to meet their specific needs.

With the principle of “Quality Parts,Customers Priority,Honest Operation,and Considerate Service”,our business mainly focus on the distribution of electronic components. Line cards we deal with include Microchip,ALPS,ROHM,Xilinx,Pulse,ON,Everlight and Freescale. Main products comprise IC,Modules,Potentiometer,IC Socket,Relay,Connector.Our parts cover such applications as commercial,industrial, and automotives areas.

We are looking forward to setting up business relationship with you and hope to provide you with the best service and solution. Let us make a better world for our industry!

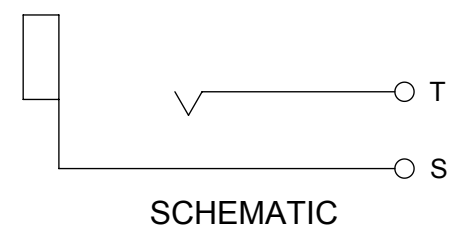


## Contact us

Tel: +86-755-8981 8866 Fax: +86-755-8427 6832

Email & Skype: [info@chipsmall.com](mailto:info@chipsmall.com) Web: [www.chipsmall.com](http://www.chipsmall.com)

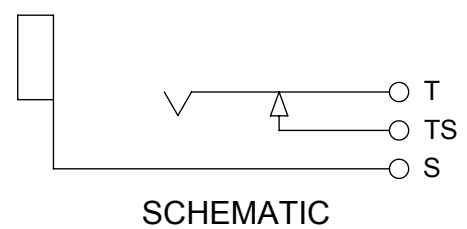
Address: A1208, Overseas Decoration Building, #122 Zhenhua RD., Futian, Shenzhen, China



SCHMATIC

TYPICAL MATING PLUG: 250

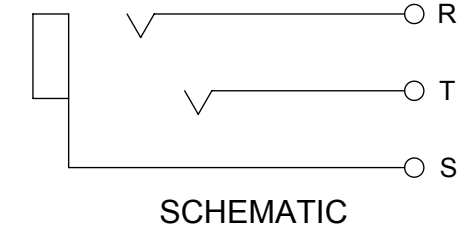
**RN111PC**



SCHMATIC

TYPICAL MATING PLUG: 250

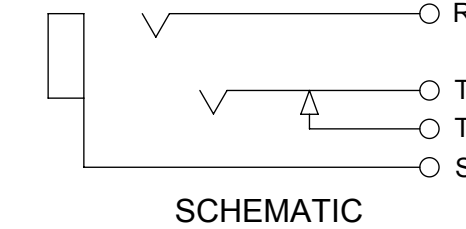
**RN112APC**



SCHMATIC

TYPICAL MATING PLUG: 267

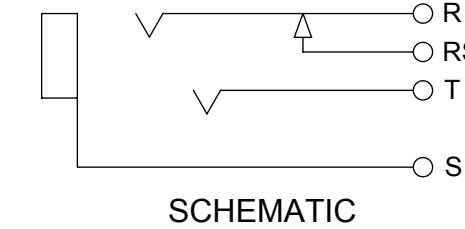
**RN112BPC**



SCHMATIC

TYPICAL MATING PLUG: 267

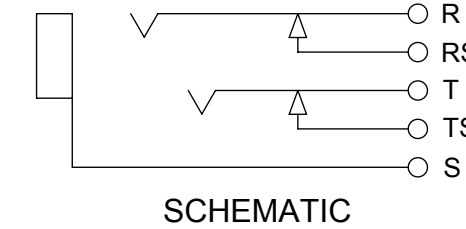
**RN113BPC**



SCHMATIC

TYPICAL MATING PLUG: 267

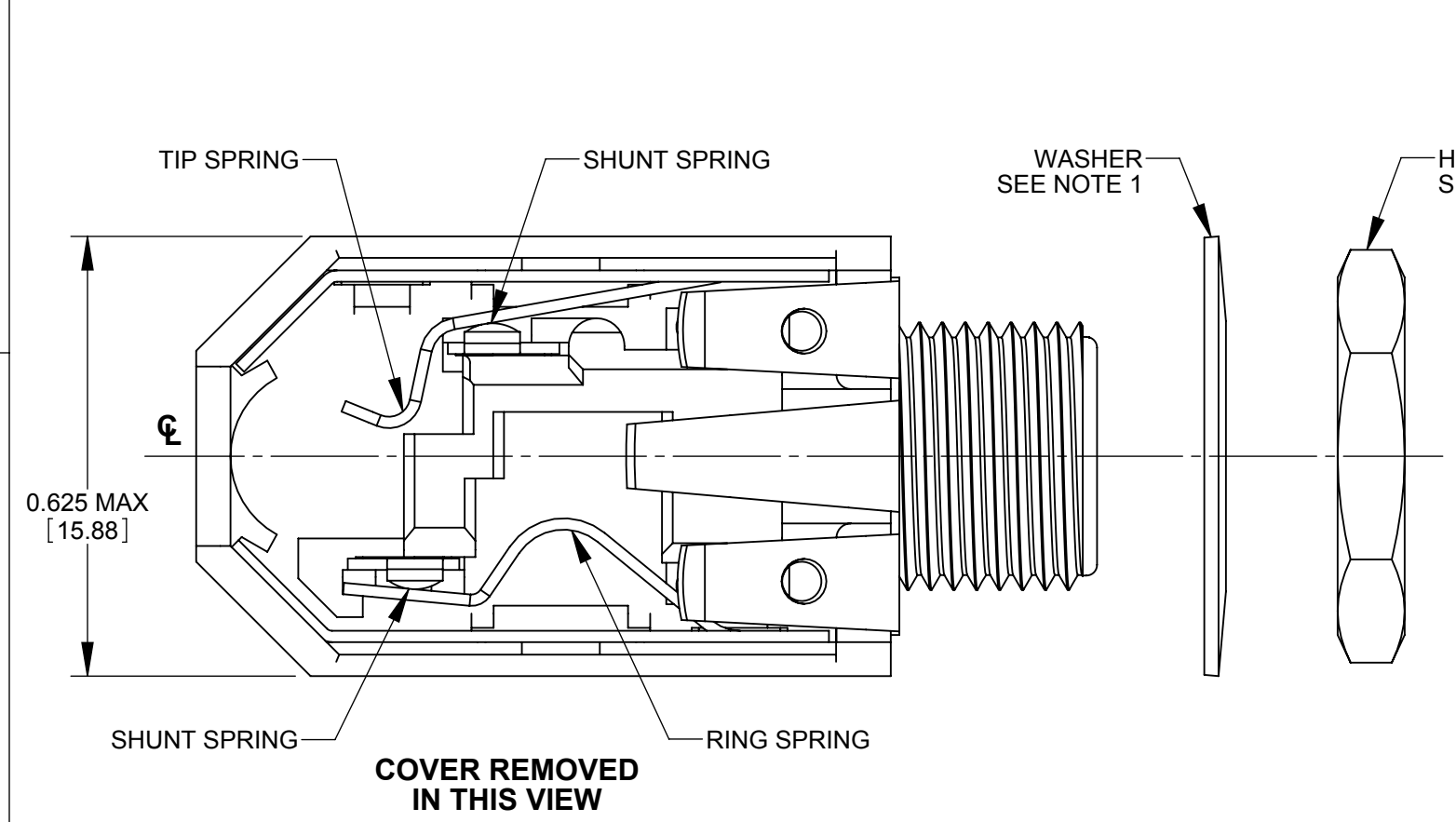
**RN113FPC**



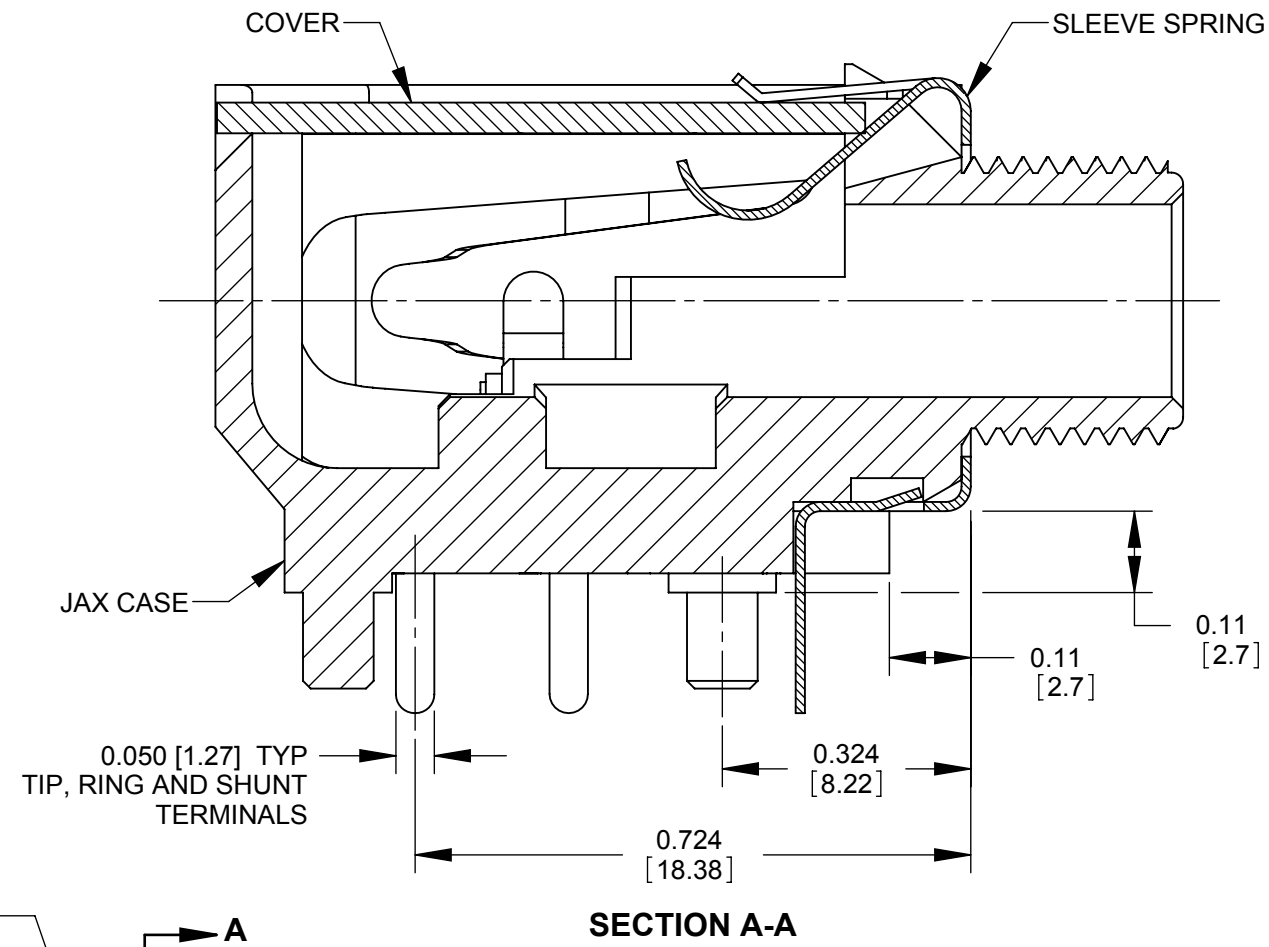
SCHMATIC

TYPICAL MATING PLUG: 267

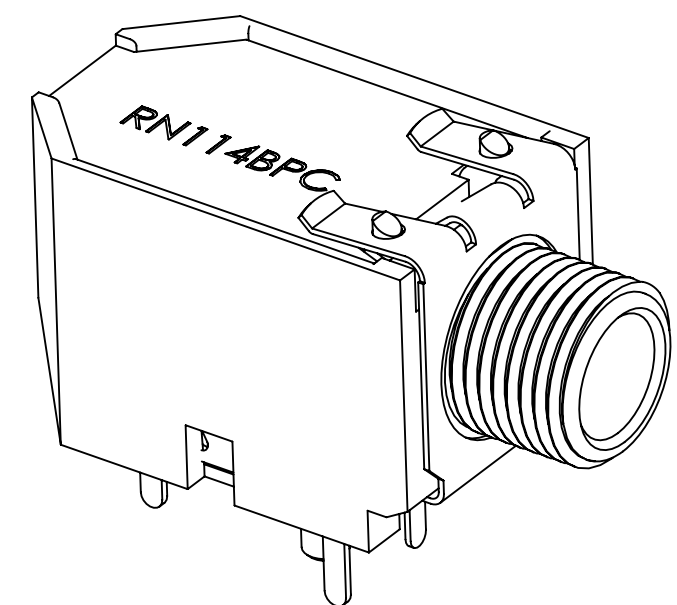
**RN114BPC**



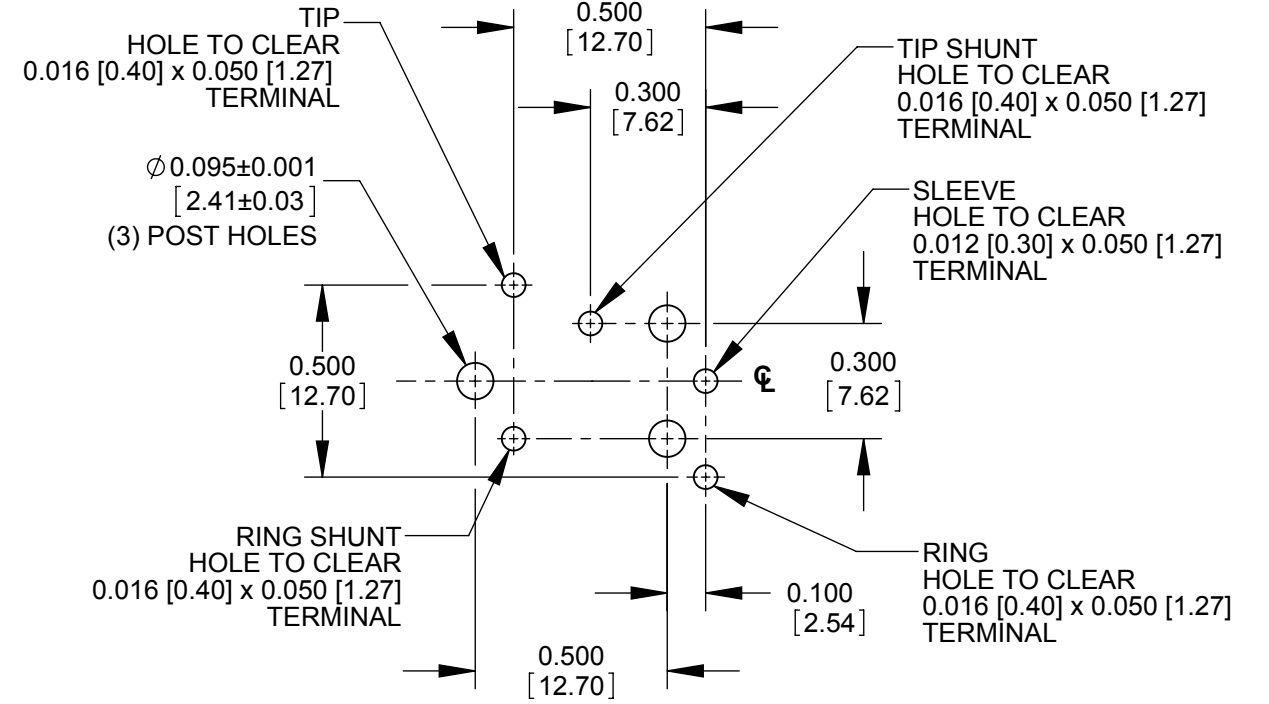
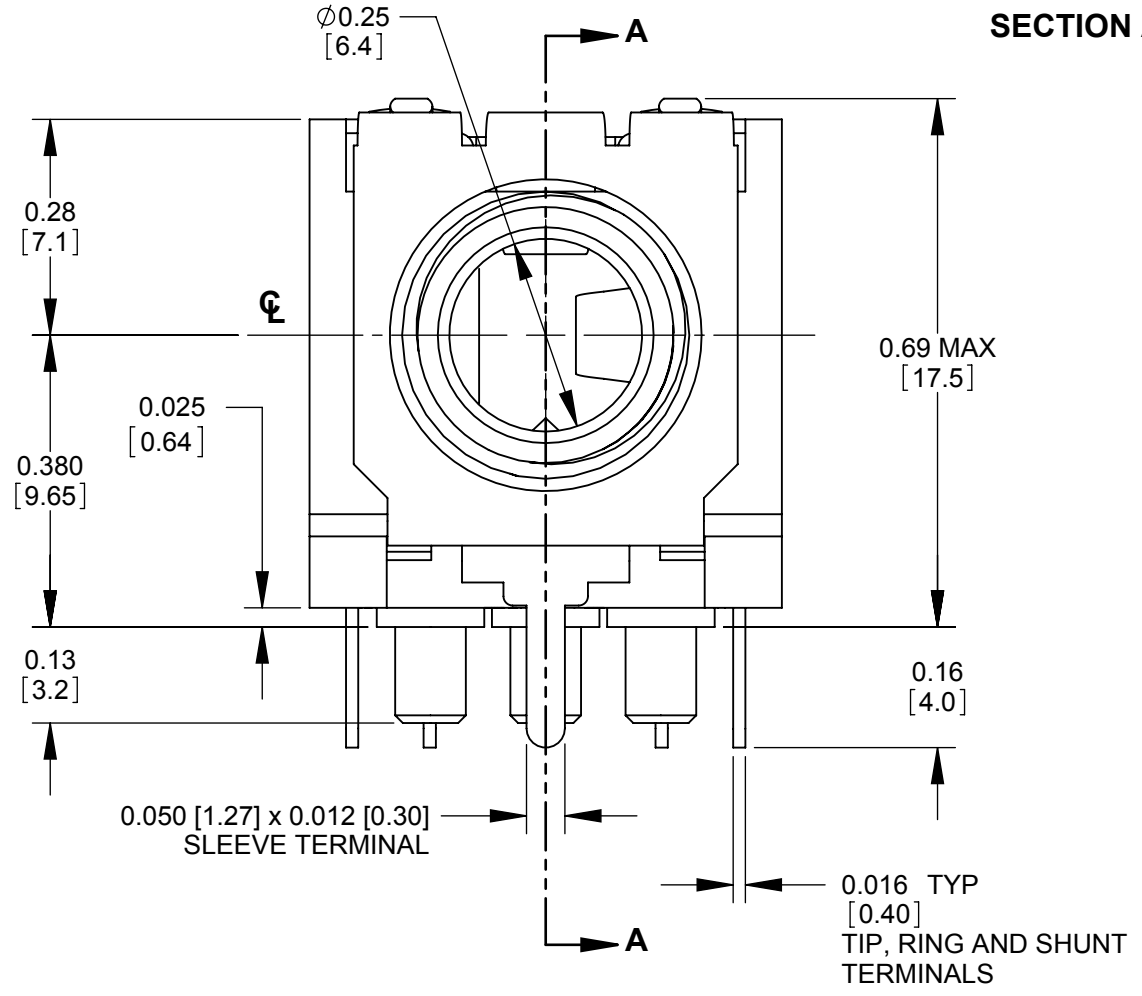
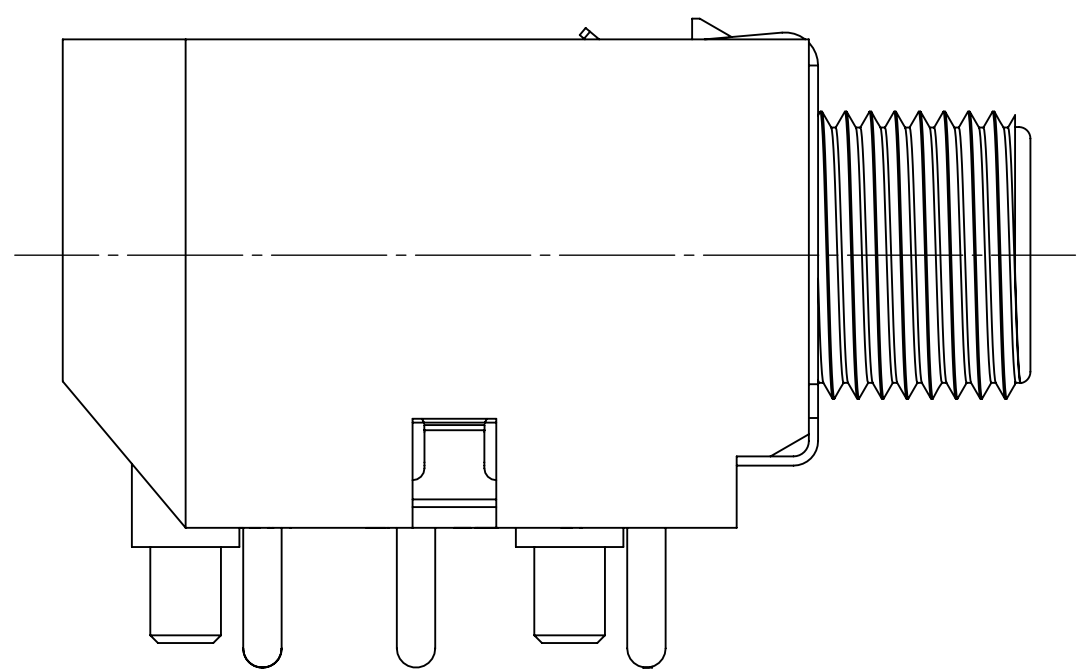
COVER REMOVED IN THIS VIEW



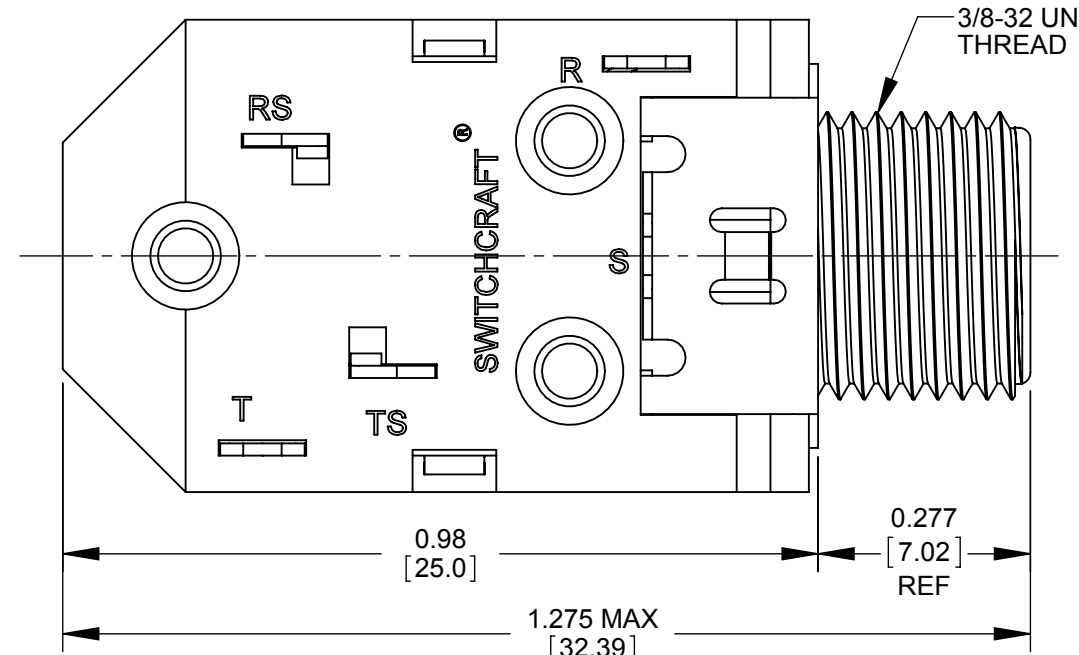
SECTION A-A



RN114BPC SHOWN



PCB LAYOUT COMPONENT SIDE SCALE 2:1



NOTES:

- HARDWARE SHIPPED UNASSEMBLED.
- MATERIALS:  
JAX CASE AND COVER - THERMOPLASTIC, BLACK  
SPRINGS/TERMINALS - SPECIAL COPPER ALLOY, TIN PLATED  
WASHER - CRS, NICKEL PLATED  
HEX NUT - COPPER ALLOY, NICKEL PLATED
- THESE PRODUCTS ARE RoHS COMPLIANT.

REV	ECO NUMBER	DATE	BY	APVD
E	REDRAWN 27712	05-31-16	PC	TJK
REVISIONS				

UNLESS OTHERWISE SPECIFIED  
1. ALL DIMENSIONS IN INCHES [mm]  
- TWO PLACE DECIMALS ±0.02 [0.5]  
- THREE PLACE DECIMALS ±0.005 [0.13]

THIS DRAWING DESCRIBES A DESIGN CONSIDERED PROPRIETARY IN NATURE, DEVELOPED AND MANUFACTURED BY SWITCHCRAFT INC. AND IS RELEASED ON A CONFIDENTIAL BASIS FOR IDENTIFICATION PURPOSES ONLY.				
SIZE	WIDTH	MULT	LBS/M	TEMPER
FINISH SPEC No.		MATERIAL SPEC No.		
FIRST USED ON		SCALE 4:1		
DATE DRAWN	BY	CHKD	APVD	
01-06-09	JEB	JEB	TJK	
01-06-09		01-28-09		
NAME RN SERIES RIGHT ANGLE "HI-D" JAX, RoHS			PART No. RN111-RN114 SERIES	REV E