



Chipsmall Limited consists of a professional team with an average of over 10 year of expertise in the distribution of electronic components. Based in Hongkong, we have already established firm and mutual-benefit business relationships with customers from,Europe,America and south Asia,supplying obsolete and hard-to-find components to meet their specific needs.

With the principle of "Quality Parts,Customers Priority,Honest Operation,and Considerate Service",our business mainly focus on the distribution of electronic components. Line cards we deal with include Microchip,ALPS,ROHM,Xilinx,Pulse,ON,Everlight and Freescale. Main products comprise IC,Modules,Potentiometer,IC Socket,Relay,Connector.Our parts cover such applications as commercial,industrial, and automotives areas.

We are looking forward to setting up business relationship with you and hope to provide you with the best service and solution. Let us make a better world for our industry!



Contact us

Tel: +86-755-8981 8866 Fax: +86-755-8427 6832

Email & Skype: info@chipsmall.com Web: www.chipsmall.com

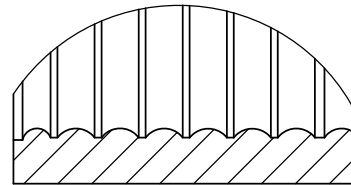
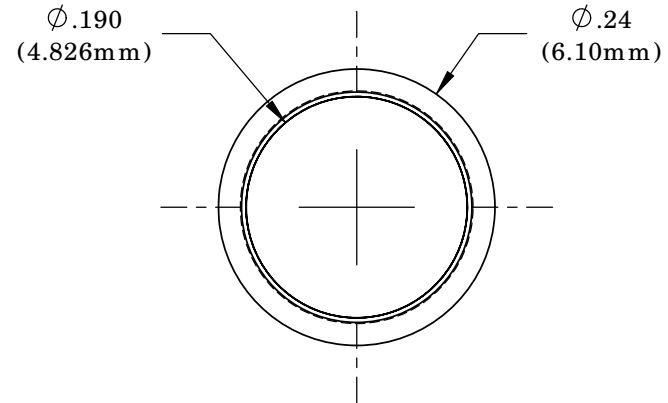
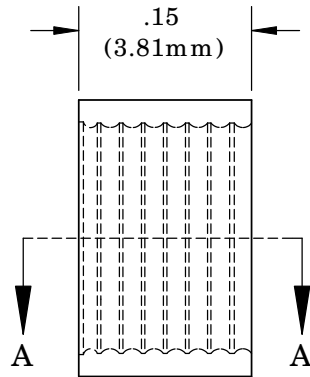
Address: A1208, Overseas Decoration Building, #122 Zhenhua RD., Futian, Shenzhen, China



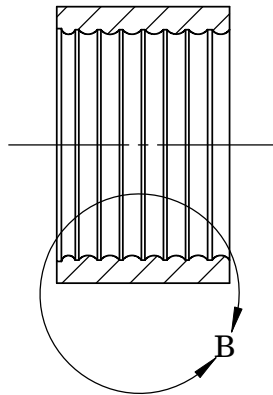
NOTES:

- 1) Use with SML190, SMB 200, & SMQ 250
- 2) U.S. & Foreign Pat. Issued & Pending.

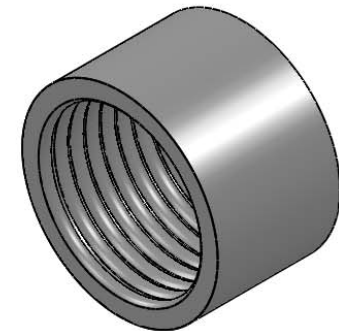
REVISIONS				
ECN #	REV	DESCRIPTION	DATE	INITIALS
	N/A	INITIAL RELEASE	2/19/98	JS
	001	REVISED PER EC R111009AZ01	2/15/10	KH



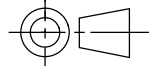
DETAIL B
SCALE 12 : 1



SECTION A-A



ISO METRIC VIEW

<small>UNLESS OTHERWISE SPECIFIED DIMENSIONS ARE IN INCHES: ANGLES ± 1° DECIMALS .X ± .020 .XX ± .010 FINISH .XXX ± .005 BREAK ALL CORNERS AND SHARP EDGES .250 MAX</small>	MATERIAL POLYPROPYLENE UL 94-HB		VISUAL COMMUNICATIONS COMPANY 190 Bosstick Boulevard, Suite 101 San Marcos, CA 92069 USA Phone (760) 560-1300 Fax (760) 560-1301 email vccsales@vccite.com	
	FINISH SEE NOTES		TITLE: CLIPLITE RNG 190	
 THIRD ANGLE PROJECTION	APPROVALS	DATE		SIZE A
	DRAWN K.Howard	2/15/10		
CHECKED DPZ	2/22/10		REV 001	SHEET 1 OF 1
DO NOT SCALE DRAWING			SCALE: 6:1	