



Chipsmall Limited consists of a professional team with an average of over 10 year of expertise in the distribution of electronic components. Based in Hongkong, we have already established firm and mutual-benefit business relationships with customers from,Europe,America and south Asia,supplying obsolete and hard-to-find components to meet their specific needs.

With the principle of “Quality Parts,Customers Priority,Honest Operation,and Considerate Service”,our business mainly focus on the distribution of electronic components. Line cards we deal with include Microchip,ALPS,ROHM,Xilinx,Pulse,ON,Everlight and Freescale. Main products comprise IC,Modules,Potentiometer,IC Socket,Relay,Connector.Our parts cover such applications as commercial,industrial, and automotives areas.

We are looking forward to setting up business relationship with you and hope to provide you with the best service and solution. Let us make a better world for our industry!



## Contact us

Tel: +86-755-8981 8866 Fax: +86-755-8427 6832

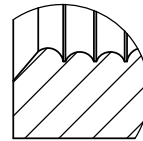
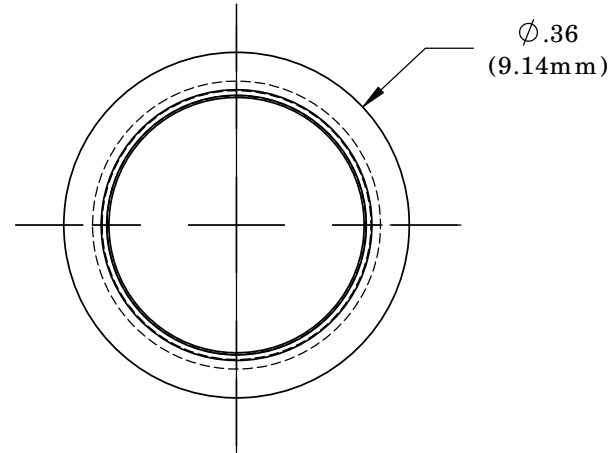
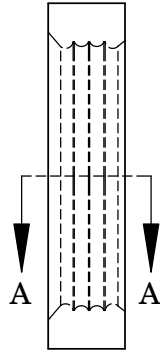
Email & Skype: info@chipsmall.com Web: www.chipsmall.com

Address: A1208, Overseas Decoration Building, #122 Zhenhua RD., Futian, Shenzhen, China

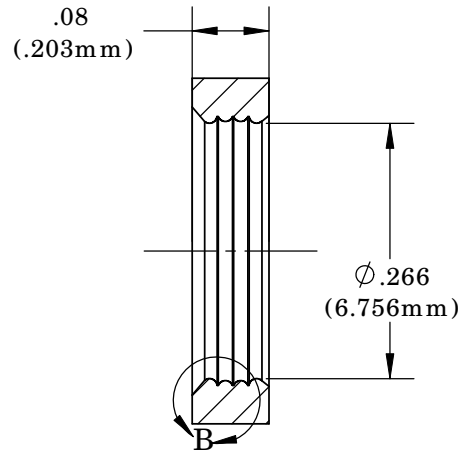


**NOTES:**  
 1) U.S. & Foreign Pat. Issued & Pending.

REVISIONS				
ECN #	REV	DESCRIPTION	DATE	INITIALS
	N/A	INITIAL RELEASE	5/12/94	JS
	001	REVISED PER EC R 111009AZ01	2/11/10	KH
145	002	CHANGE IN MATERIAL	7/12/10	KH



**DETAIL B**  
 SCALE 10 : 1



**SECTION A-A**



**ISO METRIC VIEW**  
 SCALE 4:1

<small>UNLESS OTHERWISE SPECIFIED DIMENSIONS ARE IN INCHES:</small> ANGLES ± 1° DECIMALS .X ± .020 .XX ± .010 FINISH .XXX ± .005 <small>BREAK ALL CORNERS AND SHARP EDGES .250 MAX</small>		<b>MATERIAL</b> POLYPROPYLENE, BLACK		<b>VISUAL COMMUNICATIONS COMPANY</b> 190 Bosstick Boulevard, Suite 101 San Marcos, CA 92069 USA Phone (760) 560-1300 Fax (760) 560-1301 email vccsales@vccite.com	
<small>THIRD ANGLE PROJECTION</small> 		<b>FINISH</b> SEE NOTES		<b>TITLE:</b> CLIPMOUNT RING RNG 234	
<small>PROPRIETARY AND CONFIDENTIAL</small> <small>THE INFORMATION CONTAINED IN THIS DRAWING IS THE SOLE PROPERTY OF VISUAL COMMUNICATIONS COMPANY, INC. ANY REPRODUCTION IN PART OR AS A WHOLE WITHOUT THE WRITTEN PERMISSION OF VISUAL COMMUNICATIONS COMPANY, INC IS PROHIBITED.</small>		<b>APPROVALS</b> DRAWN K.Howard CHECKED DPZ		<b>DATE</b> 2/11/10 2/22/10	
		DO NOT SCALE DRAWING		<b>SIZE</b> <b>A</b> <b>DWG. NO.</b> <b>RNG 234</b> <b>REV</b> <b>002</b>	
				SCALE: 5:1    SHEET 1 OF 1	