



Chipsmall Limited consists of a professional team with an average of over 10 year of expertise in the distribution of electronic components. Based in Hongkong, we have already established firm and mutual-benefit business relationships with customers from,Europe,America and south Asia,supplying obsolete and hard-to-find components to meet their specific needs.

With the principle of “Quality Parts,Customers Priority,Honest Operation,and Considerate Service”,our business mainly focus on the distribution of electronic components. Line cards we deal with include Microchip,ALPS,ROHM,Xilinx,Pulse,ON,Everlight and Freescale. Main products comprise IC,Modules,Potentiometer,IC Socket,Relay,Connector.Our parts cover such applications as commercial,industrial, and automotives areas.

We are looking forward to setting up business relationship with you and hope to provide you with the best service and solution. Let us make a better world for our industry!



## Contact us

Tel: +86-755-8981 8866 Fax: +86-755-8427 6832

Email & Skype: info@chipsmall.com Web: www.chipsmall.com

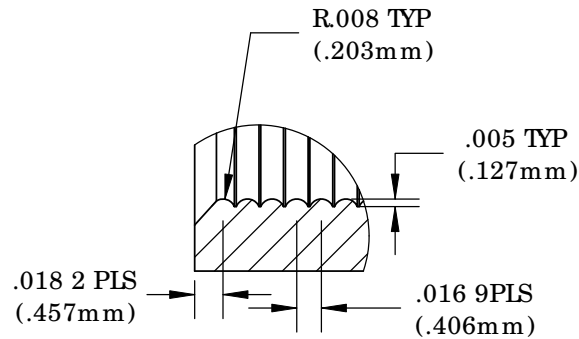
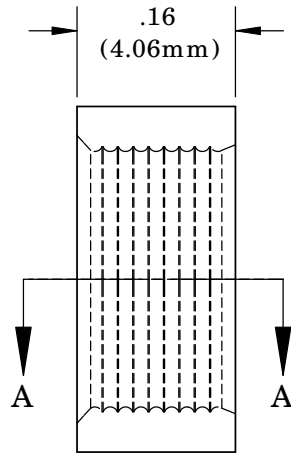
Address: A1208, Overseas Decoration Building, #122 Zhenhua RD., Futian, Shenzhen, China



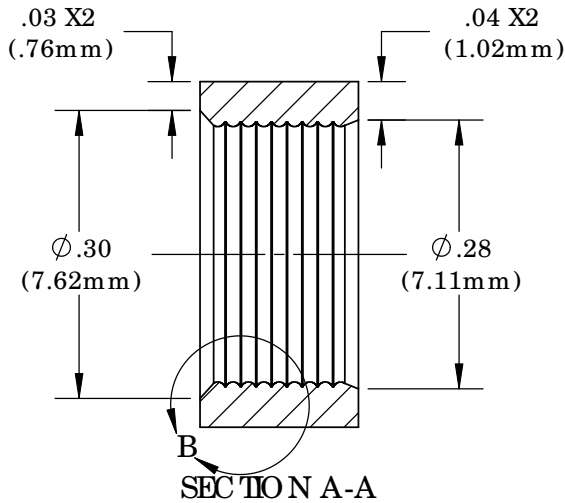
**NO TES:**

1. **FINISH:** Parts shall have a smooth appearance, min.600 surface finish, with no gates and all flash removed
2. U.S. & Foreign Pat. Issued & Pend.

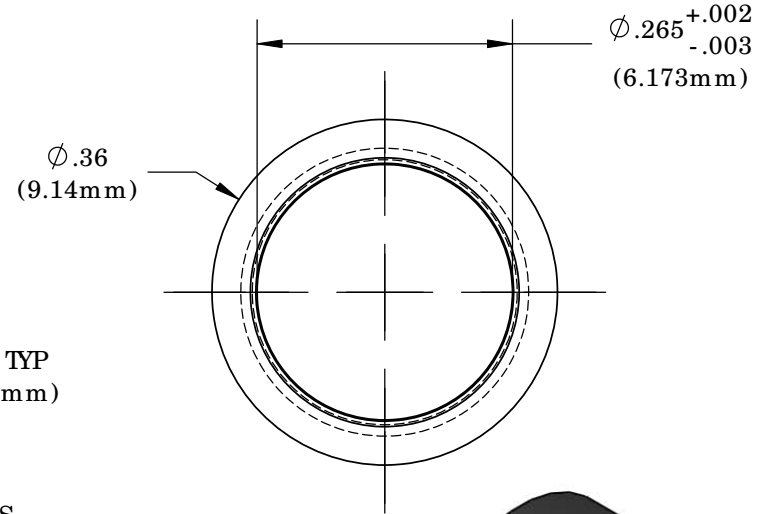
REVISIONS				
ECN #	REV	DESCRIPTION	DATE	INITIALS
	1	VARIOUS	7/94	JS
	2	WAS .275 IS .272	9/26/02	JS
	3	WAS .272 IS .265	10/17/02	JS
	001	REVISED PER ECR 111009AZ01	2/11/10	KH
145	002	CHANGE IN MATERIAL	7/12/10	KH



**DETAIL B  
SCALE 8 : 1**



**SECTION A-A**



**ISOMETRIC VIEW  
4:1**

<small>UNLESS OTHERWISE SPECIFIED DIMENSIONS ARE IN INCHES:                  ANGLES    DECIMALS                  ± 1'        .X    ±.020                               .XX   ±.010                  FINISH    .XXX ±.005                  BREAK ALL CORNERS AND SHARP EDGES .250 MAX</small>		<b>MATERIAL</b> 50% POLYPROPYLENE(BLACK) 50% ELASTOCON		<b>VISUAL COMMUNICATIONS COMPANY</b> 190 Bosstick Boulevard, Suite 101 San Marcos, CA 92069 USA Phone (760) 560-1300 Fax (760) 560-1301 email vccsales@vccsite.com	
		<b>FINISH</b> SEE NOTES		<b>TITLE:</b> CLIPMOUNT RING RNG 268	
<small>THIRD ANGLE PROJECTION</small> 		<b>APPROVALS</b> <b>DATE</b>		<b>SIZE</b> <b>DWG. NO.</b> <b>REV</b>	
<small>PROPRIETARY AND CONFIDENTIAL</small> <small>THE INFORMATION CONTAINED IN THIS DRAWING IS THE SOLE PROPERTY OF VISUAL COMMUNICATIONS COMPANY, INC. ANY REPRODUCTION IN PART OR AS A WHOLE WITHOUT THE WRITTEN PERMISSION OF VISUAL COMMUNICATIONS COMPANY, INC IS PROHIBITED.</small>		DRAWN    K.Howard      2/11/10 CHECKED    DPZ            2/22/10		<b>A</b> <b>RNG 268_E</b> <b>002</b>	
		DO NOT SCALE DRAWING		SCALE: 5:1      SHEET 1 OF 1	