



Chipsmall Limited consists of a professional team with an average of over 10 year of expertise in the distribution of electronic components. Based in Hongkong, we have already established firm and mutual-benefit business relationships with customers from,Europe,America and south Asia,supplying obsolete and hard-to-find components to meet their specific needs.

With the principle of “Quality Parts,Customers Priority,Honest Operation,and Considerate Service”,our business mainly focus on the distribution of electronic components. Line cards we deal with include Microchip,ALPS,ROHM,Xilinx,Pulse,ON,Everlight and Freescale. Main products comprise IC,Modules,Potentiometer,IC Socket,Relay,Connector.Our parts cover such applications as commercial,industrial, and automotives areas.

We are looking forward to setting up business relationship with you and hope to provide you with the best service and solution. Let us make a better world for our industry!



Contact us

Tel: +86-755-8981 8866 Fax: +86-755-8427 6832

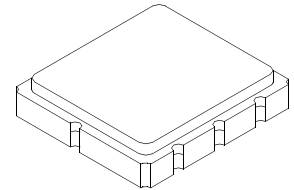
Email & Skype: info@chipsmall.com Web: www.chipsmall.com

Address: A1208, Overseas Decoration Building, #122 Zhenhua RD., Futian, Shenzhen, China



RO3101C

**433.92 MHz
SAW
Resonator**



**SM5050-8 Case
5 X 5**

- Ideal for European 433.92 MHz Remote Control and Security Transmitters
- Very Low Series Resistance
- Quartz Stability
- Complies with Directive 2002/95/EC (RoHS)



The RO3101C is a true one-port, surface-acoustic-wave (SAW) resonator in a surface-mount ceramic case. It provides reliable, fundamental-mode, quartz frequency stabilization of fixed-frequency transmitters operating at 433.92 MHz. This SAW is designed specifically for remote control and wireless security transmitters operating in Europe under ETSI I-ETS 300 220.

Absolute Maximum Ratings

| Rating | Value | Units |
|---|------------|-------|
| Input Power Level | 0 | dBm |
| DC Voltage | 12 | VDC |
| Storage Temperature | -40 to +85 | °C |
| Operating Temperature | -40 to +85 | °C |
| Soldering Temperature (10 seconds / 5 cycles maximum) | 260 | °C |

Electrical Characteristics

| Characteristic | | Sym | Notes | Minimum | Typical | Maximum | Units |
|--|--------------------------------------|--------------|------------------|-------------|-----------|----------|--------|
| Center Frequency, +25 °C | Absolute Frequency | f_C | 2,3,4,5 | 433.845 | | 433.995 | MHz |
| | Tolerance from 433.920 MHz | Δf_C | | | | ± 75 | kHz |
| Insertion Loss | | IL | 2,5,6 | | 1.2 | 2.5 | dB |
| Quality Factor | Unloaded Q | Q_U | | | 9000 | | |
| | 50Ω Loaded Q | Q_L | | | 1200 | | |
| Temperature Stability | Turnover Temperature | T_O | 6,7,8 | 10 | 25 | 40 | °C |
| | Turnover Frequency | f_O | | | f_C | | |
| | Frequency Temperature Coefficient | FTC | | | 0.032 | | |
| Frequency Aging | Absolute Value during the First Year | $ f_A $ | 1 | | ≤ 10 | | ppm/yr |
| DC Insulation Resistance between Any Two Terminals | | | 5 | 1.0 | | | MΩ |
| RF Equivalent RLC Model | Motional Resistance | R_M | 5, 7, 9 | | 15 | 33 | Ω |
| | Motional Inductance | L_M | | | 48.6 | | μH |
| | Motional Capacitance | C_M | | | 2.8 | | fF |
| | Shunt Static Capacitance | C_O | | 5, 6, 9 | 2.6 | | pF |
| Test Fixture Shunt Inductance | | L_{TEST} | 2, 7 | | 52.1 | | nH |
| Lid Symbolization (in addition to Lot and/or Date Codes) | | | | 703 // YWWS | | | |
| Standard Reel Quantity | Reel Size 7 Inch | | 500 Pieces/Reel | | | | |
| | Reel Size 13 Inch | | 3000 Pieces/Reel | | | | |

 **CAUTION: Electrostatic Sensitive Device. Observe precautions for handling.**

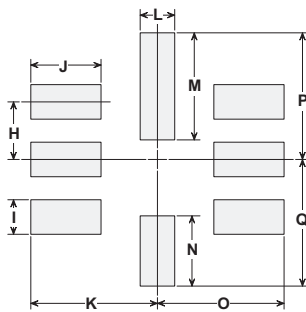
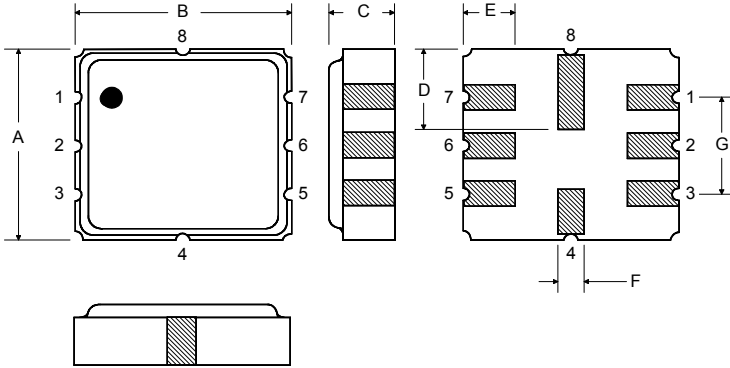
NOTES:

1. Frequency aging is the change in f_C with time and is specified at +65 °C or less. Aging may exceed the specification for prolonged temperatures above +65 °C. Typically, aging is greatest the first year after manufacture, decreasing in subsequent years.
2. The center frequency, f_C , is measured at the minimum insertion loss point, IL_{MIN} , with the resonator in the 50 Ω test system ($VSWR \leq 1.2:1$). The shunt inductance, L_{TEST} , is tuned for parallel resonance with C_O at f_C . Typically, $f_{OSCILLATOR}$ or $f_{TRANSMITTER}$ is approximately equal to the resonator f_C .
3. One or more of the following United States patents apply: 4,454,488 and 4,616,197.
4. Typically, equipment utilizing this device requires emissions testing and government approval, which is the responsibility of the equipment manufacturer.
5. Unless noted otherwise, case temperature $T_C = +25 \pm 2$ °C.
6. The design, manufacturing process, and specifications of this device are subject to change without notice.
7. Derived mathematically from one or more of the following directly measured parameters: f_C , IL, 3 dB bandwidth, f_C versus T_C , and C_O .
8. Turnover temperature, T_O , is the temperature of maximum (or turnover) frequency, f_O . The nominal frequency at any case temperature, T_C , may be calculated from: $f = f_O [1 - FTC (T_O - T_C)^2]$. Typically *oscillator* T_O is approximately equal to the specified *resonator* T_O .
9. This equivalent RLC model approximates resonator performance near the resonant frequency and is provided for reference only. The capacitance C_O is the static (nonmotional) capacitance between the two terminals measured at low frequency (10 MHz) with a capacitance meter. The measurement includes parasitic capacitance with "NC" pads unconnected. Case parasitic capacitance is approximately 0.05 pF. Transducer parallel capacitance can be calculated as: $C_P \approx C_O - 0.05$ pF.

Electrical Connections

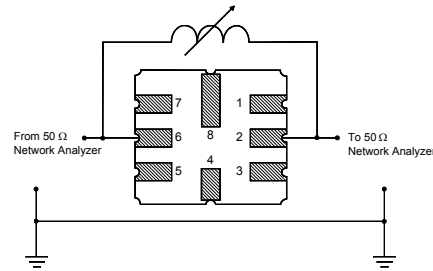
The SAW resonator is bidirectional and may be installed with either orientation. The two terminals are interchangeable and unnumbered. The callout NC indicates no internal connection. The NC pads assist with mechanical positioning and stability. External grounding of the NC pads is recommended to help reduce parasitic capacitance in the circuit.

| Pin | Connection |
|-----|------------|
| 1 | NC |
| 2 | Terminal |
| 3 | NC |
| 4 | NC |
| 5 | NC |
| 6 | Terminal |
| 7 | NC |
| 8 | NC |

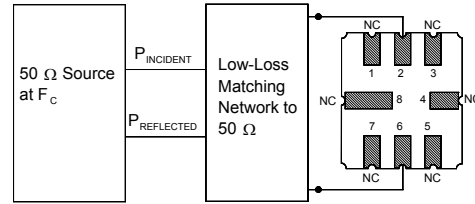


| Dimension | mm | | | Inches | | |
|-----------|------|------|------|--------|-------|-------|
| | Min | Nom | Max | Min | Nom | Max |
| A | 4.80 | 5.00 | 5.20 | 0.189 | 0.197 | 0.205 |
| B | 4.80 | 5.00 | 5.20 | 0.189 | 0.197 | 0.205 |
| C | 1.30 | 1.50 | 1.70 | 0.050 | 0.060 | 0.067 |
| D | 1.98 | 2.08 | 2.18 | 0.078 | 0.082 | 0.086 |
| E | 1.07 | 1.17 | 1.27 | 0.042 | 0.046 | 0.050 |
| F | 0.50 | 0.64 | 0.70 | 0.020 | 0.025 | 0.028 |
| G | 2.39 | 2.54 | 2.69 | 0.094 | 0.100 | 0.106 |
| H | | 1.27 | | | 0.050 | |
| I | | 0.76 | | | 0.030 | |
| J | | 1.55 | | | 0.061 | |
| K | | 2.79 | | | 0.110 | |
| L | | 0.76 | | | 0.030 | |
| M | | 2.36 | | | 0.093 | |
| N | | 1.55 | | | 0.061 | |
| O | | 2.79 | | | 0.110 | |
| P | | 2.79 | | | 0.110 | |
| Q | | 2.79 | | | 0.110 | |

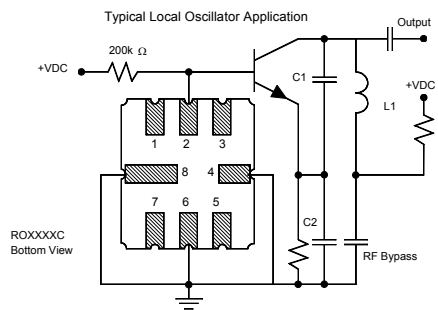
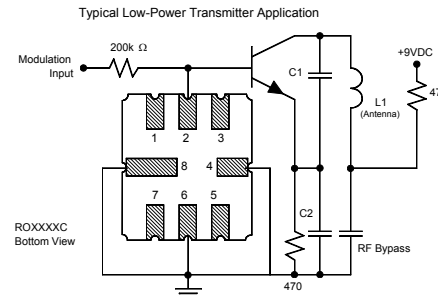
Parameter Test Circuit



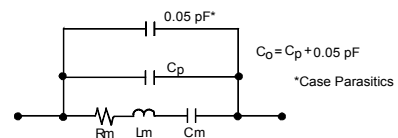
Power Test Circuit



Example Application Circuits



Equivalent RLC Model



Temperature Characteristics

The curve shown on the right accounts for resonator contribution only and does not include LC component temperature contributions.

