



Chipsmall Limited consists of a professional team with an average of over 10 year of expertise in the distribution of electronic components. Based in Hongkong, we have already established firm and mutual-benefit business relationships with customers from,Europe,America and south Asia,supplying obsolete and hard-to-find components to meet their specific needs.

With the principle of "Quality Parts,Customers Priority,Honest Operation,and Considerate Service",our business mainly focus on the distribution of electronic components. Line cards we deal with include Microchip,ALPS,ROHM,Xilinx,Pulse,ON,Everlight and Freescale. Main products comprise IC,Modules,Potentiometer,IC Socket,Relay,Connector.Our parts cover such applications as commercial,industrial, and automotives areas.

We are looking forward to setting up business relationship with you and hope to provide you with the best service and solution. Let us make a better world for our industry!



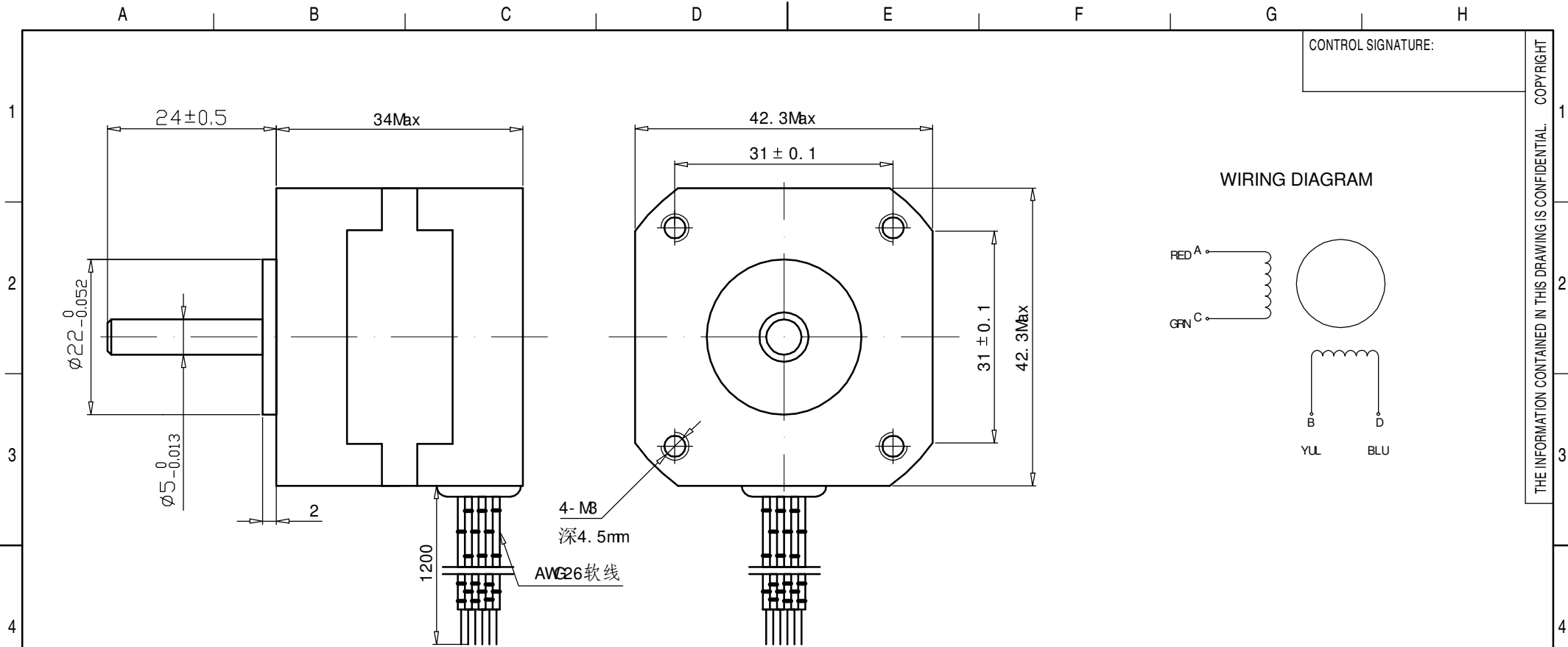
Contact us

Tel: +86-755-8981 8866 Fax: +86-755-8427 6832

Email & Skype: info@chipsmall.com Web: www.chipsmall.com

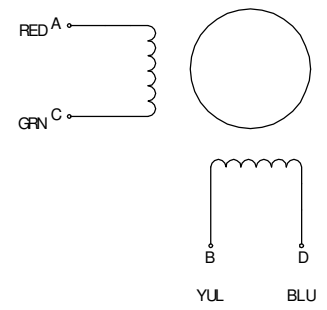
Address: A1208, Overseas Decoration Building, #122 Zhenhua RD., Futian, Shenzhen, China





CONTROL SIGNATURE:

WIRING DIAGRAM



THE INFORMATION CONTAINED IN THIS DRAWING IS CONFIDENTIAL. COPYRIGHT

COMMON RATEING		SPECIVICATIONS	
STEP ANGLE	1.8°±5%	VOLTAGE	12V
PHASES	2	CURRENT	0.33A
INSULATION RESISTANCE	100Mohm(500V DC)	INDUCTANCE	46 ± 20% Mh
CLASS OF INSULATION	B	RESISTANCE	34±10%
WEIGHT	0.20Kg	HOLDING TORQUE	0.23N.M

SCALE	UNIT	mm
	SIZE	A4
DRAWN XUHEZHAC		
20090307		
CHECKED		
APPROVED		

A		1ST ISSUE	090327
REV.	EPO#	DETAILS	DATE
UNSPECIFIED TOLERANCE:		MERCURY MOTOR	
MATERIAL		TITLE	
		SM-42BYG011-25	
FINISH		SHEET 1 OF 1	REV A
		DWG.NO.	
		SM-42BYG011-25-090327	