



Chipsmall Limited consists of a professional team with an average of over 10 year of expertise in the distribution of electronic components. Based in Hongkong, we have already established firm and mutual-benefit business relationships with customers from,Europe,America and south Asia,supplying obsolete and hard-to-find components to meet their specific needs.

With the principle of “Quality Parts,Customers Priority,Honest Operation,and Considerate Service”,our business mainly focus on the distribution of electronic components. Line cards we deal with include Microchip,ALPS,ROHM,Xilinx,Pulse,ON,Everlight and Freescale. Main products comprise IC,Modules,Potentiometer,IC Socket,Relay,Connector.Our parts cover such applications as commercial,industrial, and automotives areas.

We are looking forward to setting up business relationship with you and hope to provide you with the best service and solution. Let us make a better world for our industry!



Contact us

Tel: +86-755-8981 8866 Fax: +86-755-8427 6832

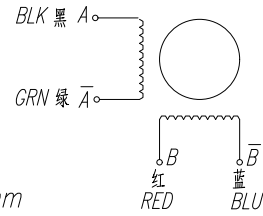
Email & Skype: info@chipsmall.com Web: www.chipsmall.com

Address: A1208, Overseas Decoration Building, #122 Zhenhua RD., Futian, Shenzhen, China

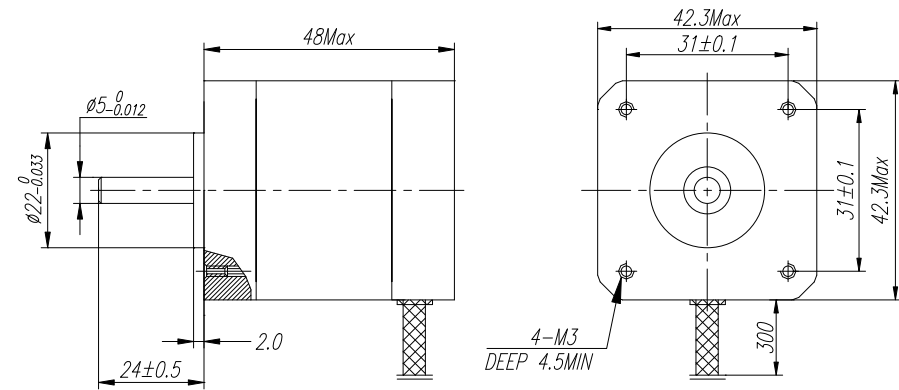


HYBRID STEPPING MOTOR MOD.

☐ COLORS OF LEAD WIRES



☐ DIMENSIONS unit=mm



☐ SPECIFICATIONS

PHASE	相数	2	PHASE	COMMENT
STEP ANGLE	步距角	0.9±5%	°/STEP	
VOLTAGE	静电压	3.06	V	
CURRENT	电流	1.7	A/PHASE	
RESISTANCE	电阻	1.8 ±10%	Ω/PHASE	
INDUCTANCE	电感	2.8 ±20%	mH/PHASE	
HOLDING TORQUE	静转矩	48	N.cm Min	
DETENT TORQUE	定位转矩	2.2	N.cm Max	
INSULATION CLASS	绝缘等级	B		
LEAD STYLE	引出线规格	AWG26 UL1007		

设计		20110114	审核		技术规格书	42BYGHM809
工艺			批准			www.wantmotor.com
					版本 NR	共 张 第 张

