

Chipsmall Limited consists of a professional team with an average of over 10 year of expertise in the distribution of electronic components. Based in Hongkong, we have already established firm and mutual-benefit business relationships with customers from,Europe,America and south Asia,supplying obsolete and hard-to-find components to meet their specific needs.

With the principle of “Quality Parts,Customers Priority,Honest Operation,and Considerate Service”,our business mainly focus on the distribution of electronic components. Line cards we deal with include Microchip,ALPS,ROHM,Xilinx,Pulse,ON,Everlight and Freescale. Main products comprise IC,Modules,Potentiometer,IC Socket,Relay,Connector.Our parts cover such applications as commercial,industrial, and automotives areas.

We are looking forward to setting up business relationship with you and hope to provide you with the best service and solution. Let us make a better world for our industry!



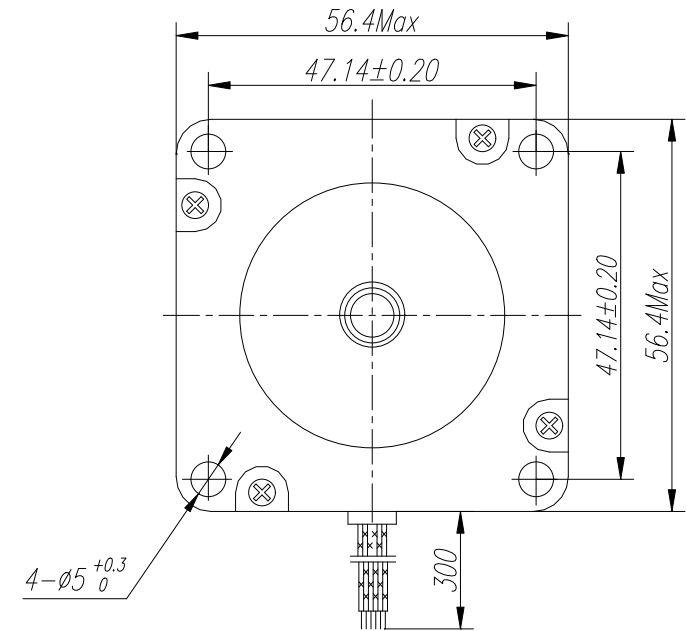
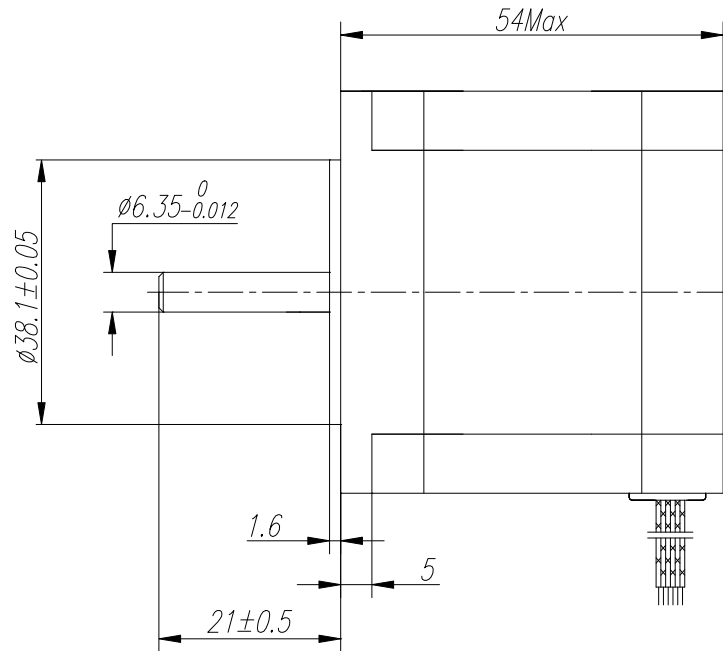
## Contact us

Tel: +86-755-8981 8866 Fax: +86-755-8427 6832

Email & Skype: [info@chipsmall.com](mailto:info@chipsmall.com) Web: [www.chipsmall.com](http://www.chipsmall.com)

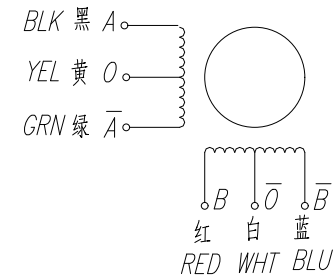
Address: A1208, Overseas Decoration Building, #122 Zhenhua RD., Futian, Shenzhen, China

□ DIMENSIONS unit=mm



□ SPECIFICATIONS

□ COLORS OF LEAD WIRES UNI-POLAR



PHASE	相数	4	PHASE	COMMENT
STEP ANGLE	步距角	1.8±5%	°/STEP	
VOLTAGE	静电压	3.0	V	
CURRENT	电流	2.0	A/PHASE	
RESISTANCE	电阻	1.5±10%	Ω/PHASE	
INDUCTANCE	电感	2.5±20%	mH/PHASE	
HOLDING TORQUE	静转矩	90	N.cm Max	
DETENT TORQUE	定位转矩	3.5	Ncm Min	
INSULATION CLASS	绝缘等级	B		
LEAD STYLE	引出线规格	AWG22 UL1007		

				技术规格书			
				57BYGH420			
设计	20110524	标准		图样	质量	图幅	比例
校对		审核					
工艺		批准					
				版本	共 张 第 张		

www.wantmotor.com

