



Chipsmall Limited consists of a professional team with an average of over 10 year of expertise in the distribution of electronic components. Based in Hongkong, we have already established firm and mutual-benefit business relationships with customers from,Europe,America and south Asia,supplying obsolete and hard-to-find components to meet their specific needs.

With the principle of “Quality Parts,Customers Priority,Honest Operation,and Considerate Service”,our business mainly focus on the distribution of electronic components. Line cards we deal with include Microchip,ALPS,ROHM,Xilinx,Pulse,ON,Everlight and Freescale. Main products comprise IC,Modules,Potentiometer,IC Socket,Relay,Connector.Our parts cover such applications as commercial,industrial, and automotives areas.

We are looking forward to setting up business relationship with you and hope to provide you with the best service and solution. Let us make a better world for our industry!



## Contact us

Tel: +86-755-8981 8866 Fax: +86-755-8427 6832

Email & Skype: info@chipsmall.com Web: www.chipsmall.com

Address: A1208, Overseas Decoration Building, #122 Zhenhua RD., Futian, Shenzhen, China



# 常州市万泰电器有限公司 Hybrid Linear Actuators

## 39BYGL

### SERIES HYBRID STEPPING MOTOR(混合式步进电机)

#### General Specifications(详细说明):

Step Accuracy..... ± 5%  
 Temperature Rise.....80°C Max  
 Ambient Temperature Range.....-20°C~+50°C  
 Insulation Resistance.....100MΩ Min.500VC DC

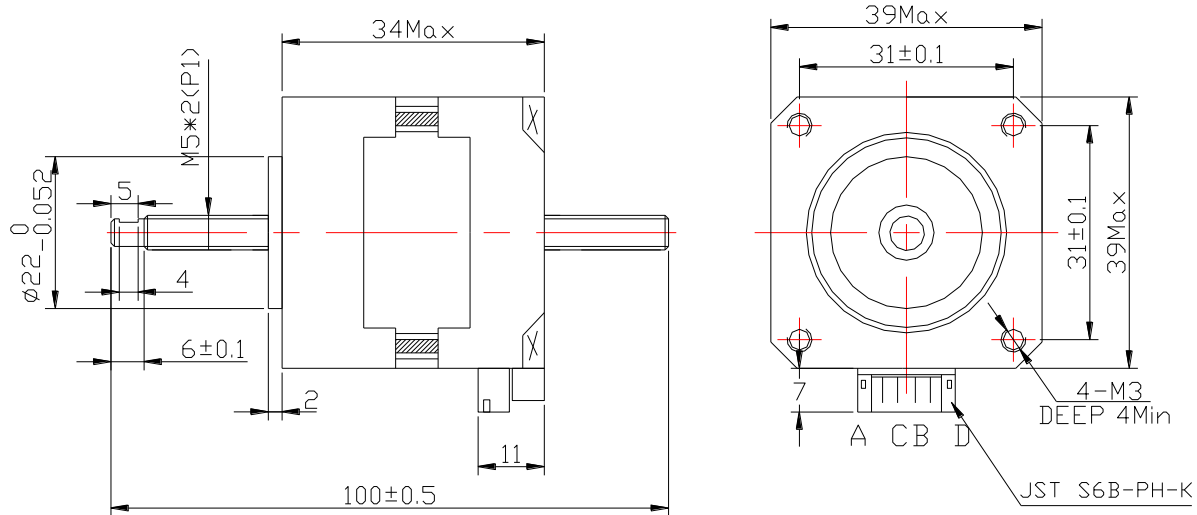
电机型号 Model	步长 Step distance mm/step	机身長 Motor Length L(mm)	相电压 Rate Voltage (V)	相电流 Rate Current (A)	相电阻 Phase Resistance (Ω)	相电感 Phase Inductance (mH)	静转矩 Holding Torque (N.m)	引线数 Lead Wire (NO.)	定位力矩 Detent Torque (kg.cm)	转动惯量 Rotor Inertia (kg.cm <sup>2</sup> )	重量 Motor Weight (kg)
39BYGL215A	0.01	34	12	0.4	30	42	0.21	4	0.12	0.02	0.18

Dielectric Strength.....500V AC 1S

#### Electrical Specifications(技术数据):

\*以上仅为代表产品，特殊产品可根据客户要求制作

#### Mechanical Dimensions(外型图)



#### Wiring diagram(接线图):

