



Chipsmall Limited consists of a professional team with an average of over 10 year of expertise in the distribution of electronic components. Based in Hongkong, we have already established firm and mutual-benefit business relationships with customers from,Europe,America and south Asia,supplying obsolete and hard-to-find components to meet their specific needs.

With the principle of “Quality Parts,Customers Priority,Honest Operation,and Considerate Service”,our business mainly focus on the distribution of electronic components. Line cards we deal with include Microchip,ALPS,ROHM,Xilinx,Pulse,ON,Everlight and Freescale. Main products comprise IC,Modules,Potentiometer,IC Socket,Relay,Connector.Our parts cover such applications as commercial,industrial, and automotives areas.

We are looking forward to setting up business relationship with you and hope to provide you with the best service and solution. Let us make a better world for our industry!



Contact us

Tel: +86-755-8981 8866 Fax: +86-755-8427 6832

Email & Skype: info@chipsmall.com Web: www.chipsmall.com

Address: A1208, Overseas Decoration Building, #122 Zhenhua RD., Futian, Shenzhen, China





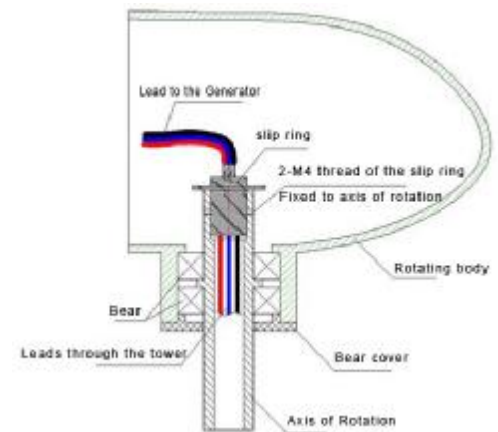
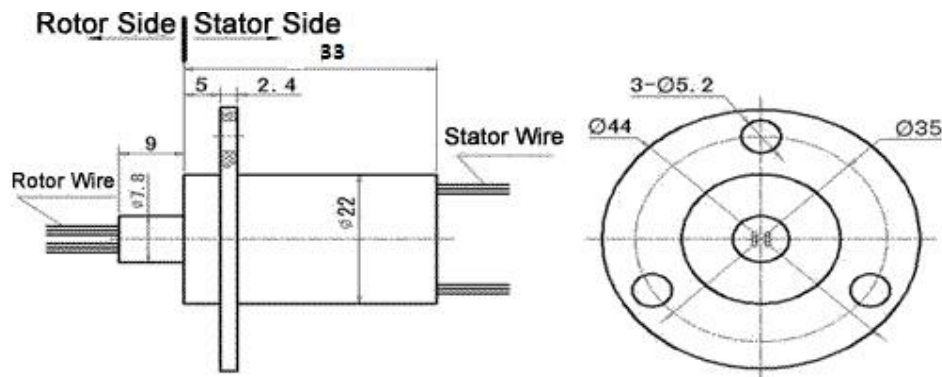
SNF-3P

Body Diameter: 22.00mm , Length: 33.00mm (lead wires color: black, red, yellow)

SNF-3P are mainly be used in any electromechanical system that requires, unrestrained, continuous rotation while transferring high current 15A from a stationary to a rotating structure. using SenRing's fiber brush technology which offers several advantages over conventional slip ring contacts including multiple points of contact per brush bundle, low contact force per fiber and low contact wear rates.

SNF-3P is specially designed for small wind turbine installation.

SNF-3P Dimensions



SNF-3P Specifications

Circuits	3
Rated Current	10A
Peak Current	25A
Volt	380VAC/VDC
Working speed	250RPM
Wire Specifications	Awg 16
Contact Material	Precious metal brush, Silver plated rings
Lead Wire Length	Standard 250mm(9.843inch)
Dielectric Strength	≥500V@50Hz between each circuit
Insulation Resistance	800MΩ@ 380VDC
Electrical Noise	1.5mΩ Min
Protection	IP54

**Please note that the operational life of the unit is dependent upon rotational speed, environment and temperature.
The operating life ≥120,000,000 runs ref.

Features:

1. 10 Amps per conductor.
2. Up to 250 rpm.
3. Precious metal brush, Silver plated rings
4. 380V AC/DC per circuit.
5. High quality precision ball bearing.

Type Application

- Wind turbine generator