



Chipsmall Limited consists of a professional team with an average of over 10 year of expertise in the distribution of electronic components. Based in Hongkong, we have already established firm and mutual-benefit business relationships with customers from,Europe,America and south Asia,supplying obsolete and hard-to-find components to meet their specific needs.

With the principle of “Quality Parts,Customers Priority,Honest Operation,and Considerate Service”,our business mainly focus on the distribution of electronic components. Line cards we deal with include Microchip,ALPS,ROHM,Xilinx,Pulse,ON,Everlight and Freescale. Main products comprise IC,Modules,Potentiometer,IC Socket,Relay,Connector.Our parts cover such applications as commercial,industrial, and automotives areas.

We are looking forward to setting up business relationship with you and hope to provide you with the best service and solution. Let us make a better world for our industry!



## Contact us

Tel: +86-755-8981 8866 Fax: +86-755-8427 6832

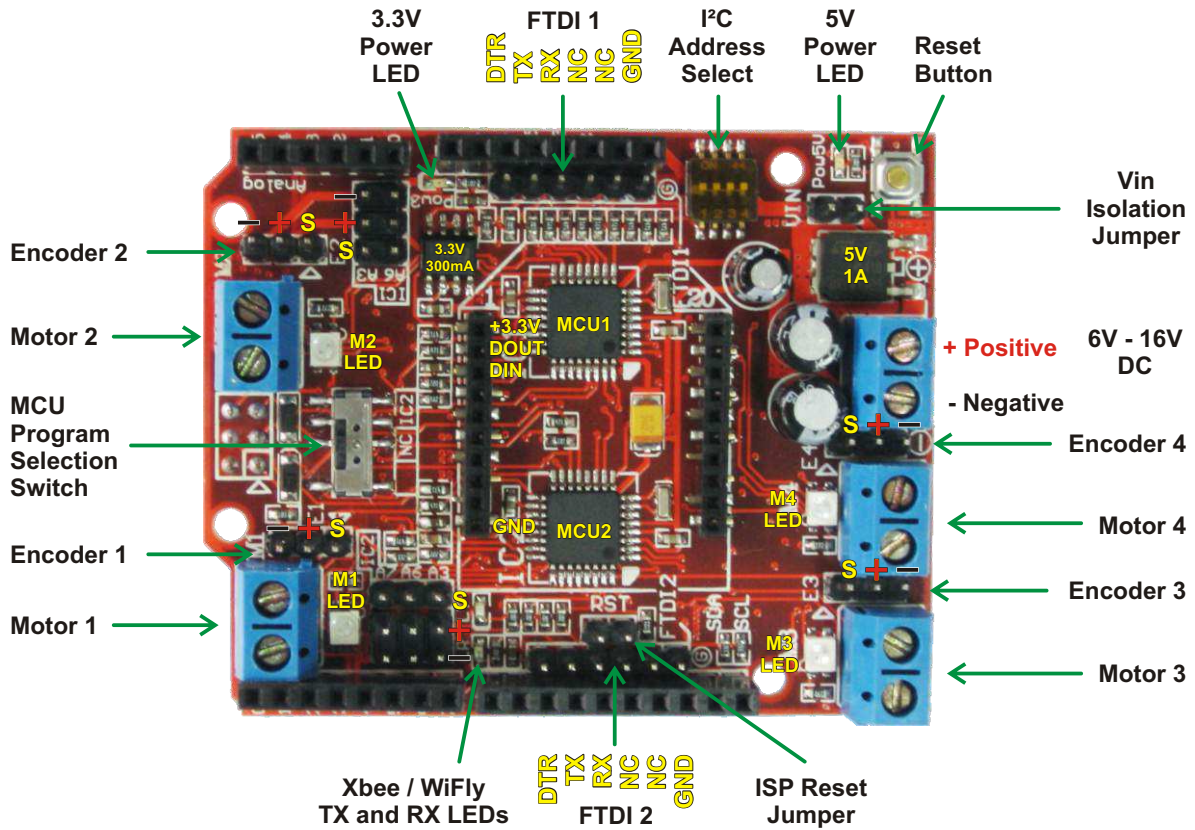
Email & Skype: info@chipsmall.com Web: www.chipsmall.com

Address: A1208, Overseas Decoration Building, #122 Zhenhua RD., Futian, Shenzhen, China



# ComMotion

Communications and smart Motion control in one shield!



## Introduction

The ComMotion is an I<sup>2</sup>C controlled, 4 channel motor controller in an R3 shield format. The advantage of using I<sup>2</sup>C is that the shield only uses 2 pins. This leaves most of your pins free for use with other shields, sensors and circuits.

The ComMotion shield can drive 4 DC brushed motors up to 2.5A continuous each with peak currents up to 4A per motor. Current monitoring is used to limit the maximum current for each motor. Each motor has an encoder input that can be used for precise speed control. Encoder feedback also gives the motor much more torque at low speeds.

Preset configurations allow you to control robots with either omni or mecanum wheels by sending the ComMotion shield only 3 simple values: Velocity, Angle and Rotation. The two ATmega328P onboard processors will then do the trigonometry required to calculate the correct speed for each individual motor.

If encoders are not being used then the shield will still function normally but motor speed control will be the same as with standard motor drivers. Speed control will be less accurate and the motors will have much less torque at low speeds.

Each processor has it's own serial port broken out into an FTDI header. These serial ports can be used for GPS, Bluetooth and LCD modules while leaving your Arduino serial port free for uploading and debugging code. The serial port on MCU2 is also broken out into a socket for an XBEE or WiFly wireless transceiver with voltage translation circuitry and a dedicated 300mA, 3.3V regulator.

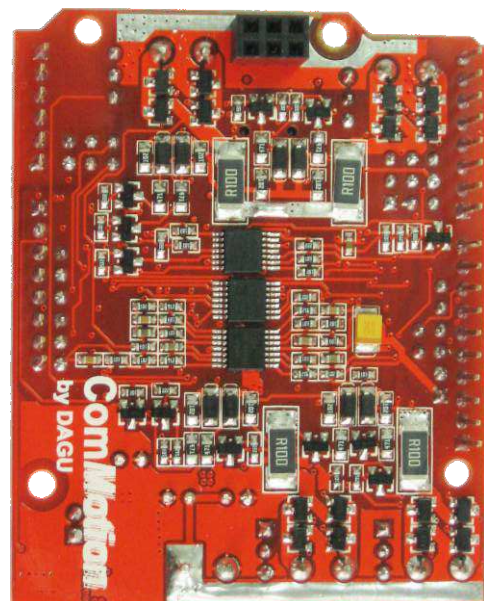
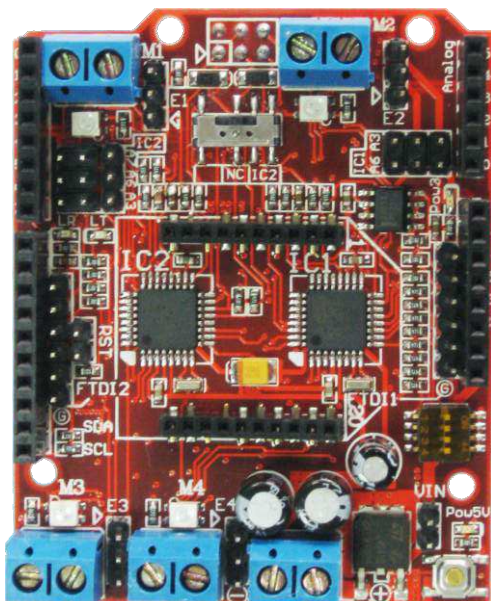
## Wireless Control

The default configuration allows the ComMotion shield to accept serial commands directly from the serial port on MCU2. Just plug in a pre-configured Xbee, WiFly or Bluetooth module and you have instant wireless control. No Arduino required.



# Contents

Powering ComMotion .....	1
Out of the box .....	1
Using ComMotion for the first time .....	1
Controlling ComMotion - I <sup>2</sup> C data packs .....	2
Basic Configuration .....	2
Encoder Configuration .....	3
Controlling the motors .....	4
Using chassis configurations .....	4
Serial configuration .....	5
Sending serial data .....	5
Receiving serial data .....	5
Requesting shield status .....	6
Motor error log .....	6
Communications error log .....	6
Re-programming ComMotion .....	7
Specifications .....	8



The ComMotion PCB is a 4 layer, double sided PCB that packs a lot of features into one small shield.

**Powering ComMotion**

The ComMotion shield can draw as much as 10A of current with 4 motors running at 2.5A each so it is important to use good quality NiMh batteries or a Lithium battery pack, do not use Alkaline batteries. Arduino boards are not designed for such high currents so you should connect your battery pack or power supply straight to the ComMotion shield. With the Vin jumper shorted, The Arduino board will get power from the shield.

As the ComMotion shield can work on a wider voltage range than most Arduino boards it may be necessary to power it from a separate power supply. Remove the Vin jumper to isolate The Arduino Vin from the ComMotion's power supply. You can then power the Arduino board and the ComMotion shield from separate battery packs or power supplies.

**Out of the box**

The ComMotion shield comes with demonstration software used in the Scamper robot kit. When you first turn it on it will play a tune if the demo mode is on or beep a few times if it is off using all connected motors for speakers. If it has not received any data or commands from the I<sup>2</sup>C bus or a serial port by the time the tune is complete it will then run in demo mode. The demonstration program can be toggled on or off by pressing the reset button or cycling the power. Even if you are not using a Scamper robot this is a useful tool to determine if the board is functioning ok. Once the shield has received data or a command it will no longer default to demonstration mode unless you re-set the configuration to demonstration mode.

The ComMotion shield comes pre-programmed to work as an I<sup>2</sup>C controlled, 4 channel, *smart* motor controller. The term *smart* refers to the fact that the controller will use encoder inputs to try and maintain steady motor speeds regardless of the motors load. This allows the motors to be driven at low speeds and maintain full torque without stalling. If you are not using encoders then this feature can be disabled in the configuration. The controller will then behave like a standard motor controller.

**Using ComMotion for the first time**

The first thing to do is determine which I<sup>2</sup>C address you want to use. Even if you plan to use serial control you should check to make sure the shields I<sup>2</sup>C addresses do not conflict with any other I<sup>2</sup>C devices you might be using as the two processors communicate with each other using the I<sup>2</sup>C bus.

The ComMotion shield defaults to I<sup>2</sup>C addresses 30 and 31 with all dip switches off. If this conflicts with another device on the bus then use the table below to select a new address. Although there are 2 processors on the I<sup>2</sup>C bus you only need to communicate with MCU1. The address of MCU2 is only shown here to help prevent conflict with other devices.

DECIMAL VALUE	DIP SWITCH SETTING	ADDRESS	
		MCU1	MCU2
0		0	1
1		2	3
2		4	5
3		6	7
4		8	9
5		10	11
6		12	13
7		14	15



DECIMAL VALUE	DIP SWITCH SETTING	ADDRESS	
		MCU1	MCU2
8		16	17
9		18	19
10		20	21
11		22	23
12		24	25
13		26	27
14		28	29
15		30	31

## Controlling ComMotion

All commands are sent to the ComMotion shield using either the I<sup>2</sup>C bus or a serial port. The commands are all sent as data packets. This is actually much simpler than it sounds and once the configuration packets are sent you will mostly use command 3 to control the motor speeds.

The first byte of each data pack tells the shield what type of information is being sent. The rest of the pack is the information needed to complete that command.

Bytes can only have a value from 0 to 255 but some information will be bigger numbers called Integers. [Integers](#) are 16 bit numbers and must be broken into [bytes](#) before we can send them. The easiest way is by using the Arduino IDE [highByte\(\)](#) and [lowByte\(\)](#) commands. Once the integers have been broken down into two bytes they can then be transmitted over the I<sup>2</sup>C bus or serial data stream.

For example, to control the speed of each motor individually you first send the number 3 which indicates the pack is a command to control the motors. You then send the desired speed of each motor from -255 to +255. Even if you are not using 4 motors you still need to send 4 speed values. Just use 0 for any unused motors.

There are only 6 commands needed for the ComMotion shield.

- |                             |   |
|-----------------------------|---|
| 1. Controller Configuration | Set values such as low battery voltage, maximum motor current etc.          |
| 2. Encoder Configuration    | Set values for motor RPM, encoder resolution, reserve power and stall time. |
| 3. Motor Control            | Change the speed of the motors.   |
| 4. Serial Configuration     | Set baud rates for each port and select a command port for serial control.  |
| 5. Send Serial Data         | Sends data to a serial port.  |
| 6. Shield Status            | Returns information such as battery voltage, motor currents etc.            |

## Basic Configuration

You will need to configure the ComMotion shield at least once to suit your application. This is done by sending a basic configuration data packet which consist of 9 bytes as listed below:

Byte	Function	Short Description
1	1=basic config.	Specifies that the data pack is basic configuration data.
2	mode	0=I <sup>2</sup> C or Serial input      1=demo mode
3	configuration	0=3x Omni      1=4x Omni      2=Mecanum      3=individual      +16=encoders off
4	low battery voltage	60 = 6.0V      use 60 for 2S LiPo      use 90 for 3S LiPo batteries
5	max current M1	255 = 2.55A
6	max current M2	255 = 2.55A
7	max current M3	255 = 2.55A
8	max current M4	255 = 2.55A
9	I <sup>2</sup> C offset	0=no offset      I <sup>2</sup> C address offset used to extend range of available I <sup>2</sup> C addresses
10	I <sup>2</sup> C master address	1=default value      This is the address of the external I <sup>2</sup> C controller.

**Byte 1:** Must always 1. This tells the shield that the data pack is basic configuration data.

**Byte 2:** Demo mode is the default. Set to 0 if you want to control the shield by I<sup>2</sup>C or Serial commands.

**Byte 3:** Select your chassis configuration or select individual motor control. Add 16 if you don't use encoders.

**Byte 4:** Default value is 60 (6V). This value is the minimum battery voltage x10. Shutdown occurs below this voltage.

**Bytes 5-8:** You can set a maximum motor current for each motor. The default is 255 which is equal to 2.55A.

**Byte 9:** If necessary you can offset the I<sup>2</sup>C address by this amount to avoid conflicts. Default value is 0.

**Byte10:** The ComMotion shield is an I<sup>2</sup>C multi-master device. If your using an external controller as an I<sup>2</sup>C master then it must be at this address to receive status reports and warnings. Default value is 1.

## Encoder Configuration

If you are not using encoders then you can ignore this command.

As the *ComMotion* uses the time between encoder state changes to determine the actual speed of the motor it needs to know the motors maximum speed and the encoder resolution to determine what is the fastest speed. When you give the controller a desired speed from -255 to + 255 the controller then converts this number into a percentage of the fastest speed.

Byte	Function	Short Description
1	2=encoder config.	Specifies that the data pack is encoder configuration data
2	maximum RPM	Motor RPM at the motors rated voltage (high byte)
3	maximum RPM	Motor RPM at the motors rated voltage ( low byte)
4	encoder res. x100	800=8 state changes per <u>motor</u> revolution (high byte)
5	encoder res. x100	800=8 state changes per <u>motor</u> revolution ( low byte)
6	reserve power %	50=50%
7	max stall time in mS	1-255mS. A value of 0 is invalid and will automatically be changed to a 1.

**Byte 1:** Must always be 2. This tells the shield that the data pack is encoder configuration data.

**Byte 2&3:** This is the maximum speed of the motors under load at the rated voltage.

**Byte 4&5:** This is the encoder resolution x100. For example 225=2¼ state changes per motor revolution.

Not to be confused with encoder resolution per wheel revolution which depends on the gearbox ratio.

**Byte 6:** Reserve power as a percentage from 0% - 50%. Default is 10%.

**Byte 7:** Default is 10mS but some experimentation will be required depending on the application.

The default encoder configuration is set for a motor with a maximum speed of 13,500 RPM and an encoder with a resolution of 8 state changes per motor revolution. This suits the Scamper robot kit however for a Rover 5 chassis the speed should be set to 8,500 RPM and the encoder resolution set to 2 state changes per revolution. Incorrect values will either prevent the motors from reaching their maximum speed or else acheiving their maximum speed at less than 100%.

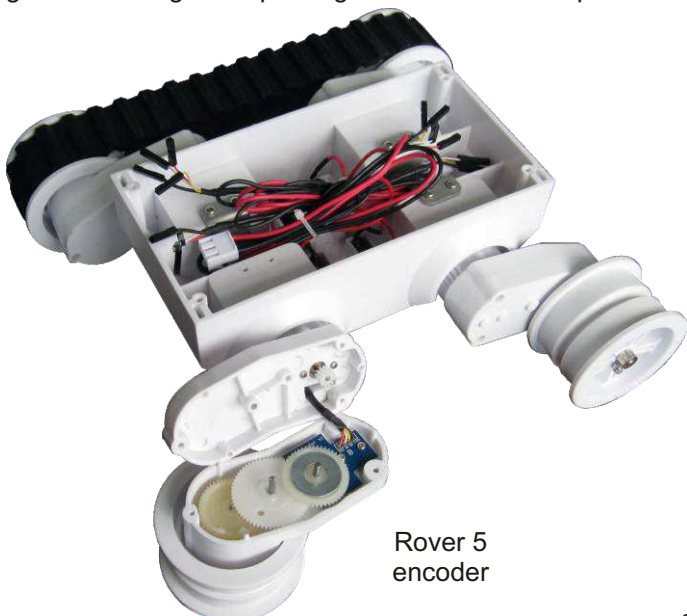
To ensure that the motors can acheive the desired speed it is recommended to keep some power in reserve to allow for changing loads. This ensures that even at full speed the robot can still travel in a straight line or the desired angle. If the reserve is too small then the motors speeds will loose accuracy at high speeds under load. If the reserve is too low then the robot will not move as fast as possible. Typically 10-15% should be enough but it will depend on the weight of the robot, friction in the wheels and the terrain. Some experimentation may be required.

The maximum stall time is used by the controller to determine if the motor is just running very slow or has actually stalled. Larger values may make slower speeds possible but will also slow the controllers response time. Low resolution encoders will need longer stall times. Some experimentation will be required.

For the Scamper robot kit which has 13,500 RPM motors and an encoder resolution of 8 state changes per motor revolution a maximum stall time of 10-15mS works well.

For the Rover 5 robot chassis which has 8,500 RPM motors and an encoder resolution of 2 state changes per revolution (using only 1 of the 2 encoder outputs) a maximum stall time of 25-50mS works better.

DAGU kits use an 8 pole magnet and hall effect sensors however the *ComMotion* shield will work with any encoder that generates a digital output. High resolutions are required for a good range of speed control.



Rover 5  
encoder



Scamper  
encoders

## Controlling the Motors

Once the shield has been configured we can control the motors with a Motor Control data packet. This is the data packet you will use the most. If you set the chassis configuration to 3x Omni wheels, 4x Omni wheels or Mecanum wheels then the controller will automatically do the trigonometry required to calculate the individual motor speeds. This allows you to control a robot chassis with just 3 integers.

- Velocity: The desired speed from -255 to +255. Positive values are forward, negative values are reverse.
- Angle: 0° is forward, 90° is to the right, 180° is backward, 270° is left. Negative values reverse angle.
- Rotation: Values from -255 to +255. Positive values rotate clockwise.

If you set the configuration for Individual motor control then you only need to send 4 numbers, the speed of each motor from -255 to +255. Positive values run the motor forwards and negative values run the motor in reverse.

Byte	Function	Description
1	3=motor control	Specifies that the data pack is motor control data
	<b>Omni and mecanum wheels</b>	<b>Individual motor control</b>
2	velocity high byte	M1 speed high byte
3	velocity low byte	M1 speed low byte
4	angle high byte	M2 speed high byte
5	angle low byte	M2 speed low byte
6	rotation high byte	M3 speed high byte
7	rotation low byte	M3 speed low byte
8	not required - ignored	M4 speed high byte
9	not required - ignored	M4 speed low byte

**Byte 1:** must always be 3. This tells the shield that data pack is motor control data.

As [integers](#) are 16 bit numbers they must be broken into [bytes](#) using the Arduino IDE [highByte\(\)](#) and [lowByte\(\)](#) commands. They can then be transmitted over the I<sup>2</sup>C bus or serial data stream.

## Using chassis configurations

The *ComMotion* shield has 3 configurations programmed into it. When one of these configurations is selected then the shield will calculate the speed and direction of each motor for you based on three integers, velocity, angle and rotation.

When using any of these 3 pre-programmed configurations, the motors are always numbered in a clockwise direction as shown in the diagrams on the right. Match the motor numbers with the motor outputs on the shield.

No matter which configuration you choose, test that the wiring is correct by trying to rotate. If a motor spins in the wrong direction then swap it's wires around at the screw terminals.

If you are using mecanum wheels then make sure they are orientated the same way as shown in the diagram.

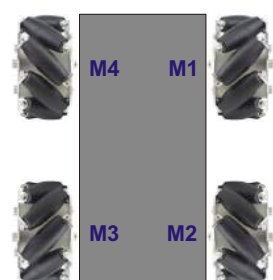
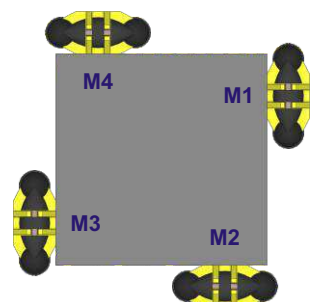
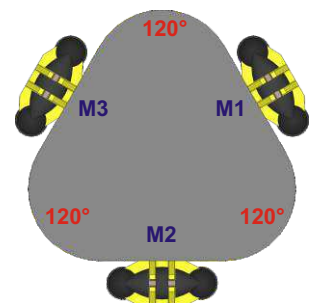
## Offsetting omni wheels

You will notice in the diagrams that the omni wheels on the triangular chassis are centered but on the square chassis the wheels are off-center.

This is because with omni wheels it does not matter if they are centered or not. Only the angles matter. Sometimes offsetting your wheels allows you to make a smaller chassis because it allows more efficient spacing of the motors.

## Other configurations

If your chassis does not match one of these configurations then configure the shield for individual motor control. Your software can then control the motors in a way that suits your chassis.



### Serial Configuration

This data pack allows you to set the baud rate for the serial ports on MCU1 and MCU2 and specify if the ComMotion shield should accept commands directly from a serial port or simply pass the data to the I<sup>2</sup>C master for processing. The default baud rate for each serial port is 9600.

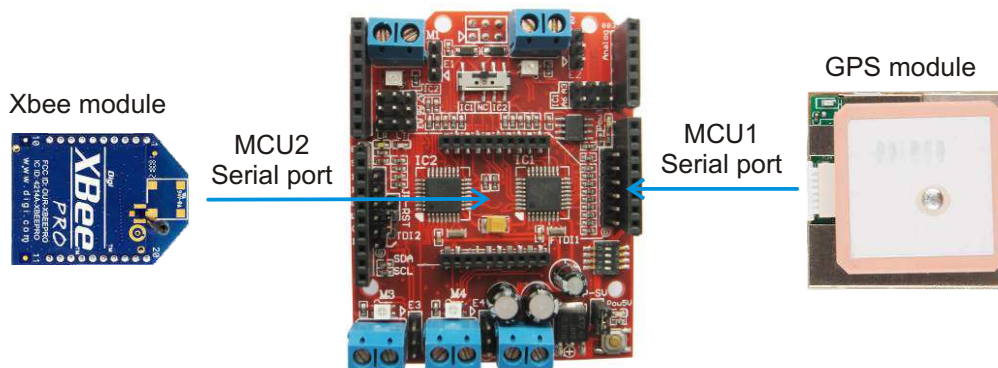
For the rest of this manual, port 1 refers to the serial port on MCU1 and port 2 refers to the serial port on MCU2.

Byte	Function	Description
1	4=serial configuration	specifies that data pack is serial configuration data
2	baud rate high byte	set the baud rate for port 1.
3	baud rate low byte	set the baud rate for port 1.
4	baud rate high byte	set the baud rate for port 2.
5	baud rate low byte	set the baud rate for port 2.
6	serial mode (default 4)	0=pass all serial data to I <sup>2</sup> C master for processing. 1=accept control data packs from port 1 - pass all data to I <sup>2</sup> C master for processing. 2=accept control data packs from port 2 - pass all data to I <sup>2</sup> C master for processing. 3=accept control data packs from port 1 - pass all data back to port 1. 4=accept control data packs from port 2 - pass all data back to port 2.

In modes 0, 1 and 2, data from serial ports 1 and 2 will be sent to the I<sup>2</sup>C bus. To indicate where the data came from each serial data pack will start with an ID header #SP1 or #SP2.

The ComMotion shield will accept commands from the serial port on MCU2 and send back all data to the serial port on MCU2 by default (mode 4). This means that if you install a Bluetooth, Xbee or WiFly module then the ComMotion shield can be controlled wirelessly without an Arduino or any other external processor and all serial data received from the serial port on MCU1 can be sent back through the serial port on MCU2.

In the example below, a pre-configured Xbee module is plugged into the ComMotion shield and a GPS module is connected to port 1. All data received from the GPS module will automatically be transmitted back through the Xbee module on port 2.



### Send Serial Data

This data pack is used to send data to a serial port. The maximum data limit per pack is 30 bytes due to the I<sup>2</sup>C buffer. If you need to send more than 30 bytes of serial data then you must send multiple serial data packs. To prevent buffer overflows when sending multiple data packs it may be necessary to limit data pack size and send more, smaller packs. This will slow the transmission rate slightly allowing the buffer to clear between packs.

Byte	Function	Description
0	5=serial data	specifies that the data pack is serial data
1	select serial port	0=previous 1=MCU1 port 2=MCU2 port
2-31	serial data of any length up to 30 bytes	

**Byte 0:** must always be 5 to tell the ComMotion shield that you want to send serial data.

**Byte 1:** selects which serial port to send the data to.  
The rest of the data pack is the data to be sent.

### Receiving Serial Data

As mentioned in Serial Configuration, all serial data received from either serial port will be directed as determined by the serial mode. If for example the ComMotion shield has a serial LCD display on serial port 1 and a GPS module on serial port 2 then set the mode to 0. The Arduino will then receive all data from the GPS module through the I<sup>2</sup>C bus and can then display the data by sending it to port 1.



## Requesting Shield Status

The Com*Motion* shield can give you information you may find useful in your programs. By requesting status data from the shield you can read the battery voltage and how much current each motor is drawing. You can read analog sensors connected to the spare analog inputs. If you use encoders then you can read the counts of each encoder to measure distance. You can even request error information from the shield such as which motors had stalled.

Byte	Function	Description
1	6=Status request	Specifies that the data pack is a status request
2	data required	Each bit is a separate request allowing any combination of status information.

**Byte 1:** must always be 6. This tells the shield that the data pack is a status request

**Byte 2:** each bit is a different request as listed below. You can request any combination of status reports.

The status reports will be sent in order from bit 0 to bit 7. For example, if bits 3 & 4 are high (8+16) then 6 bytes will be returned for the analog inputs on MCU1 followed by 6 bytes which are the analog inputs from MCU2.

**Bit 0:** Returns 8 bytes, the encoder count from each motor high byte first.

**Bit 1:** Resets all encoder counters. If bit 0 is high then the counters will be read before being reset.

**Bit 2:** Returns 8 bytes, the current draw of each motor high byte first.

**Bit 3:** Returns 6 bytes, the analog inputs A3, A6 and A7 from MCU1, high byte first. A7 is battery voltage. †

**Bit 4:** Returns 6 bytes, the analog inputs A3, A6 and A7 from MCU2, high byte first.

**Bit 5:** Returns 1 byte, the error log for the motors.

**Bit 6:** Returns 1 byte, the error log for communications.

**Bit 7:** Clears the error logs. If bit 5 or 6 are high then those error logs will be read first.

† Battery voltage = MCU1analog input A7 \* 30 / 185. A result of 84 = 8.4V

## Motor Error Log

When you request the motor error log you will receive a single byte. A value of 0 indicates no errors. Each bit indicates a different error.

**Bit 0:** A high value indicates that motor 1 is drawing the maximum current as set in the shield configuration data.

**Bit 1:** A high value indicates that motor 2 is drawing the maximum current as set in the shield configuration data.

**Bit 2:** A high value indicates that motor 3 is drawing the maximum current as set in the shield configuration data.

**Bit 3:** A high value indicates that motor 4 is drawing the maximum current as set in the shield configuration data.

**Bit 4:** A high value indicates that motor 1 drew excessive current and caused a shutdown to occur.

**Bit 5:** A high value indicates that motor 2 drew excessive current and caused a shutdown to occur.

**Bit 6:** A high value indicates that motor 3 drew excessive current and caused a shutdown to occur.

**Bit 7:** A high value indicates that motor 4 drew excessive current and caused a shutdown to occur.

Normally if the current draw of a motor reaches the limit set in the configuration data then the PWM value to that motor will be reduced to limit the current to the maximum value. If the motor current exceeds a safe level for the shield then the shield will shutdown in an attempt to prevent damage.

In the event of a short circuit, some batteries can deliver very high currents and the shield may not be able to shutdown quick enough. If you are using Lithium batteries then a 2.5A, **fast blow** fuse should be wired in series with each motor as an added level of protection against short circuits.

## Communications Error Log

When you request the communications error log you will receive a single byte. A value of 0 indicates no errors. Each bit indicates a different error.

**Bit 0:** A high value indicates an I<sup>2</sup>C buffer overflow.

**Bit 1:** A high value indicates serial port 1 buffer overflowed.

**Bit 2:** A high value indicates serial port 2 buffer overflowed.

**Bit 3:** reserved for future software updates.

**Bit 4:** reserved for future software updates.

**Bit 5:** reserved for future software updates.

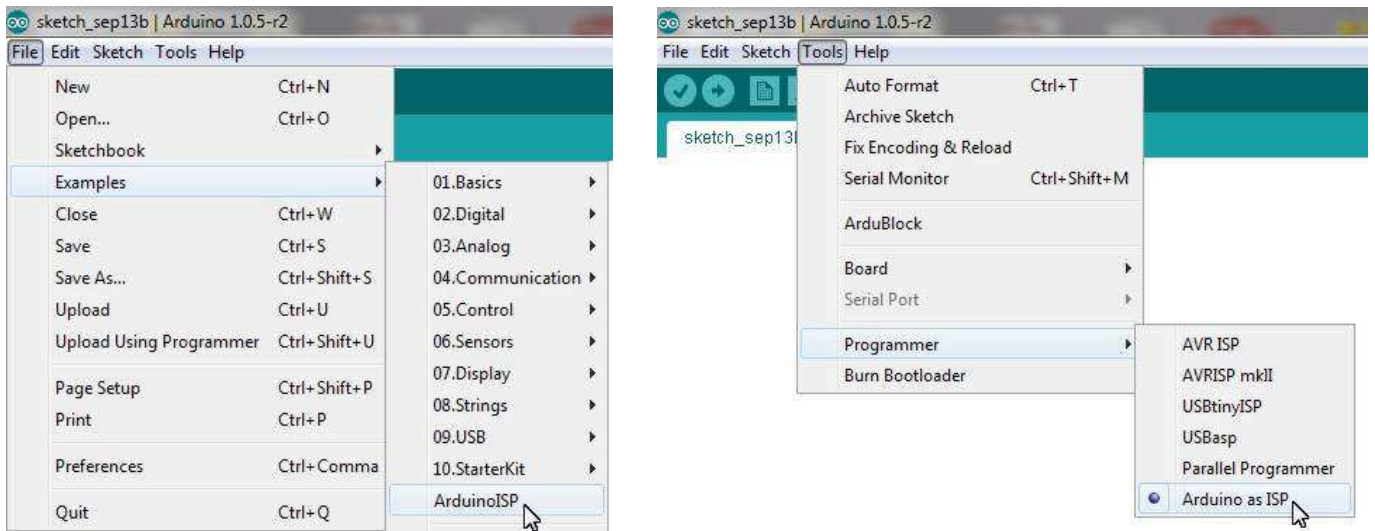
**Bit 6:** reserved for future software updates.

**Bit 7:** reserved for future software updates.

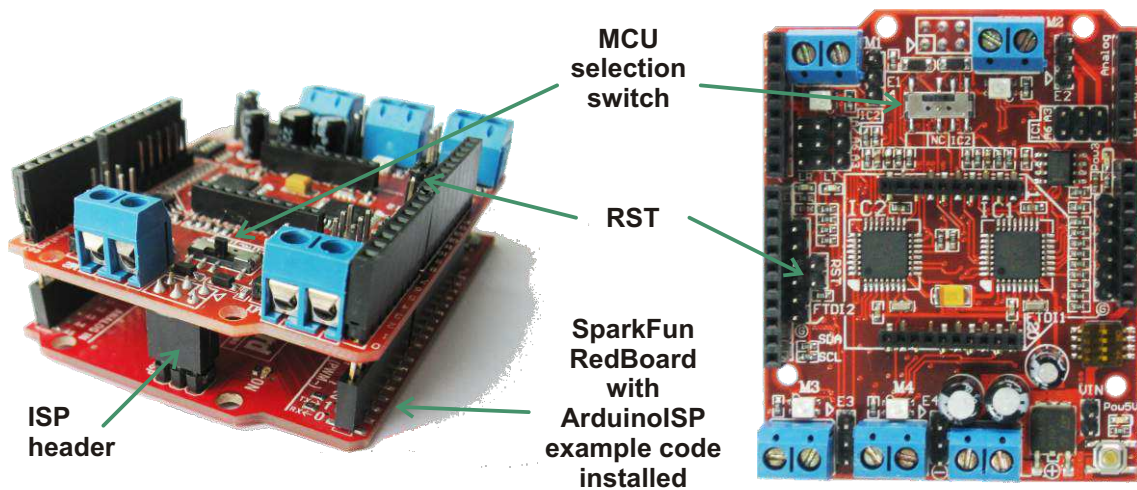
## Re-programming ComMotion

On rare occasions the flash memory can get corrupted during a brown out. If this does happen then the ComMotion code can be easily restored using the ArduinoISP example code that is included with the Arduino IDE.

Install the ArduinoISP example code into an Arduino board and then plug in the ComMotion shield. In the Tools menu, set the board type as UNO and select "Arduino as ISP" as your programmer.



Short the jumper RST on the ComMotion shield. This will connect D10 of the Arduino board to the ComMotion shields reset circuit. Now use the MCU selection switch to select which processor to reprogram. Load the ComMotion code and use the "Upload Using Programmer" option to upload the code.



The same code should be uploaded to both processors so upload to MCU1 first and then again to MCU2. Once the code has been uploaded to both processors then put the switch to the **center position** to isolate the ISP header and open the jumper RST.

In extreme cases the fuses may also need to be reset. This is done by burning the bootloader to each processor first. The bootloader will be overwritten when we upload the code but this is the easiest way to ensure the fuse settings are correct. Once the bootloader has been loaded into both processors, upload the code again.

## Modifying the code

Only experienced programmers should attempt to modify the code. If you intend to modify the code then you should understand that the code is time sensitive. You cannot use functions such as `delay()` or `delayMicroseconds()` as this will prevent the motor speed control code from working correctly. You should make sure your code works on both processors using the variable "byte mcu;" to determine which mcu it is running on. Use the program tab [IOpins.h] as your wiring diagram.

## ComMotion Specifications

Processors:	2xATmega328P (16MHz)	
Supply voltage:	6V – 16V	
Logic voltage:	5V @ 1000mA*	
Wireless support:	Xbee / WiFly socket with voltage translation	
Xbee / WiFly power:	3.3V @ 300mA	
Battery monitor range:	0V – 17V	
Battery monitor resolution:	≈0.02V	
Analog Inputs:	5x 10bit	(A3,A6 MCU1 – A3,A6,A7 MCU2)
Motor drivers:	4x FET “H” bridge	
Motor current continuous:	2.5A	(each motor)
Motor current stall:	4A	(each motor)
Current monitor range:	0A – 5A	(each motor)
Current monitor resolution:	≈5mA	(each motor)
I <sup>2</sup> C bus voltage:	5V or 3.3V	(selected by IO_REF pin)
I <sup>2</sup> C bus speed:	100 kbit/s	
I <sup>2</sup> C addresses:	16 selectable pairs	(software configurable)
Serial ports:	2x 5V TTL logic	(FTDI headers)

\*Current limit for 5V regulator is dependant on supply voltage and ambient temperature. The current ratings below assume an ambient temperature of 25°C.

1A @ 6V

580mA @ 8.4V

285mA @ 12V

180mA @16V