



Chipsmall Limited consists of a professional team with an average of over 10 year of expertise in the distribution of electronic components. Based in Hongkong, we have already established firm and mutual-benefit business relationships with customers from,Europe,America and south Asia,supplying obsolete and hard-to-find components to meet their specific needs.

With the principle of “Quality Parts,Customers Priority,Honest Operation,and Considerate Service”,our business mainly focus on the distribution of electronic components. Line cards we deal with include Microchip,ALPS,ROHM,Xilinx,Pulse,ON,Everlight and Freescale. Main products comprise IC,Modules,Potentiometer,IC Socket,Relay,Connector.Our parts cover such applications as commercial,industrial, and automotives areas.

We are looking forward to setting up business relationship with you and hope to provide you with the best service and solution. Let us make a better world for our industry!



Contact us

Tel: +86-755-8981 8866 Fax: +86-755-8427 6832

Email & Skype: info@chipsmall.com Web: www.chipsmall.com

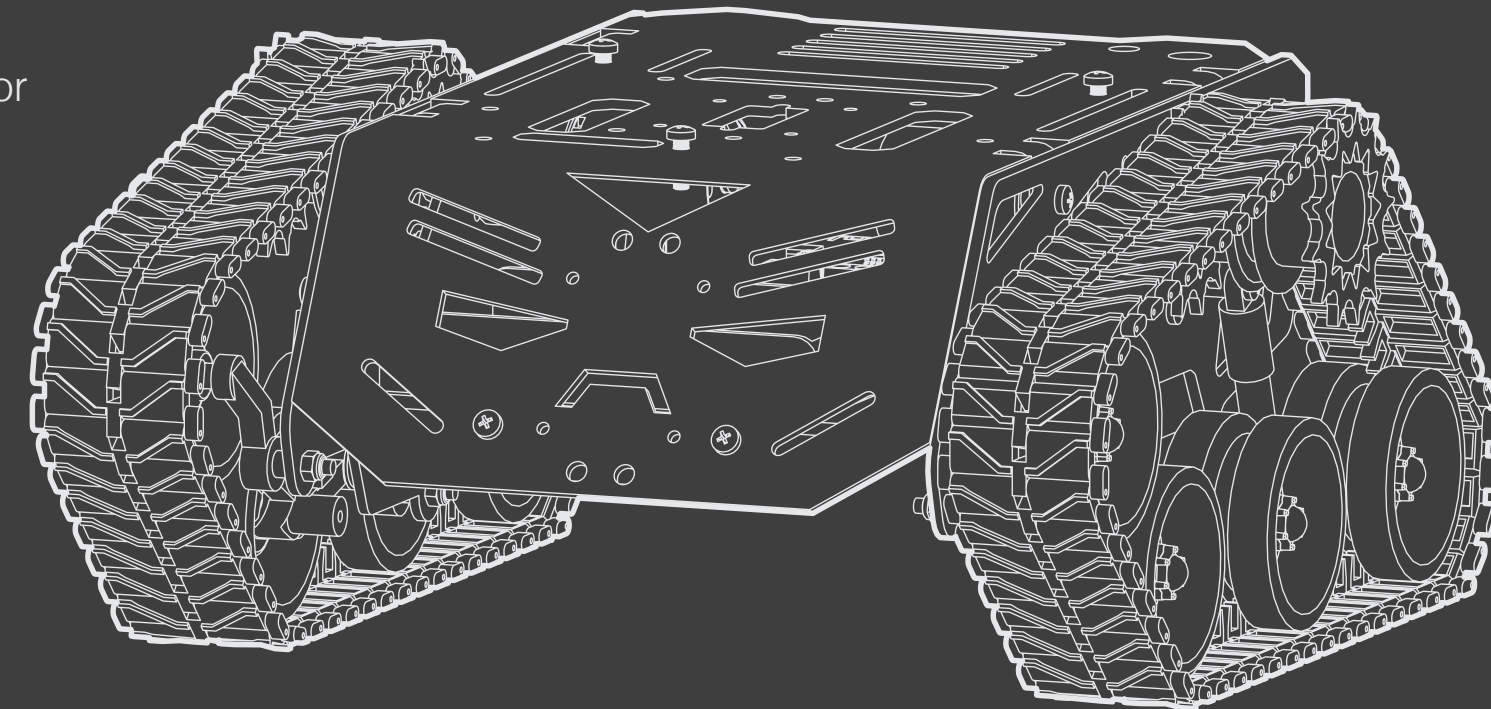
Address: A1208, Overseas Decoration Building, #122 Zhenhua RD., Futian, Shenzhen, China



DEVASTATOR

Tank Mobile Platform Instrution Manual

Metal DC Gear Motor
with Back Shaft



网站: www.dfrobot.com.cn
电话: 86-21-61620183
技术支持: Techsupport@dfrobot.com
地址: 上海市浦东新区亮秀路112号Y1座615室



dfrobot dfrobot

© 本说明书最终解释权归DFRobot所有

Website: www.dfrobot.com
Tel: 86-21-61620183
Service: Techsupport@dfrobot.com
Address: Rm. 615, Bldg Y1, NO.112, Liangxiu Rd., Pudong, China



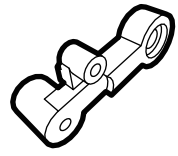
dfrobot dfrobot dfrobotn

© DFRobot has the final authority of interpretation on this manual.

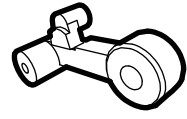


Parts List

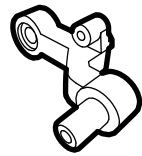
Parts List



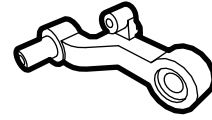
A1-1 x1



A1-2 x1



A2-1 x2



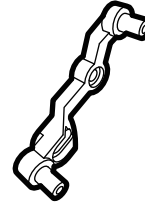
A2-2 x2



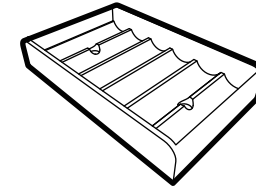
A3 x6



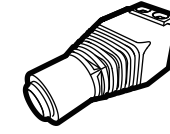
A4-1 x1



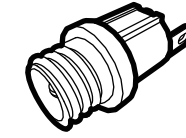
A4-2 x1



F1 x1



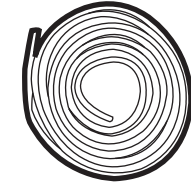
F2 x1



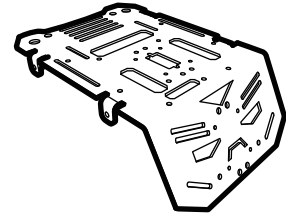
F3 x1



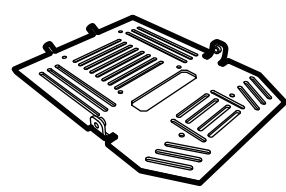
F4 x1



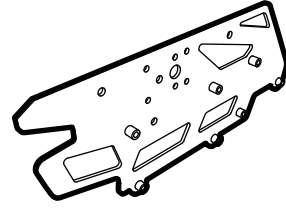
F5 x1



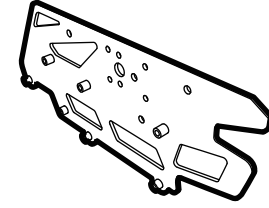
B1 x1



B2 x1



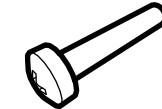
B3 x1



B4 x1



C1 x2
M2.6x14mm
Phillips Self Tapping Screw



C2 x16
M3x16mm
Phillips Pan Head Machine Screw



C3 x20
M3
Locknut



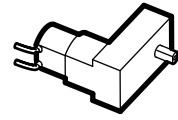
C4 x16
M3x6mm
Phillips Pan Head Machine Screw



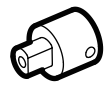
C5 x8
M2.6x8mm
Phillips Self Tapping Screw



C6 x2
M3x10mm
Phillips Flat Head Machine Screw



D1 x2



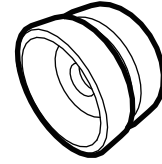
D2 x2



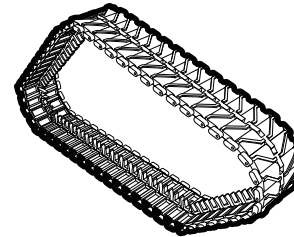
E1 x2



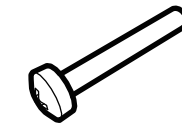
E2 x8



E3 x8



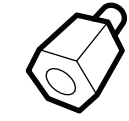
E4 x2



C7 x4
M2.5x20mm
Phillips Pan Head Machine Screw



C8 x4
M2.5
Locknut



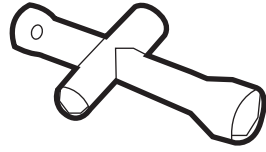
C9 x4
M3x6mm
Hexagonal Standoffs



Essential Tools

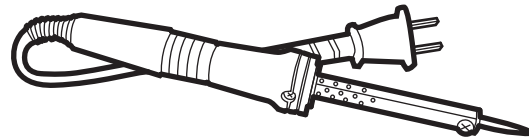


M3 Phillips Screwdriver

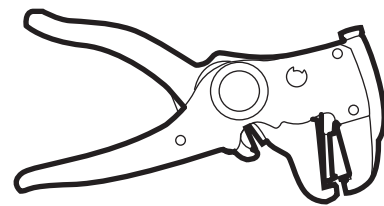


Small Cross Sleeve Wrench

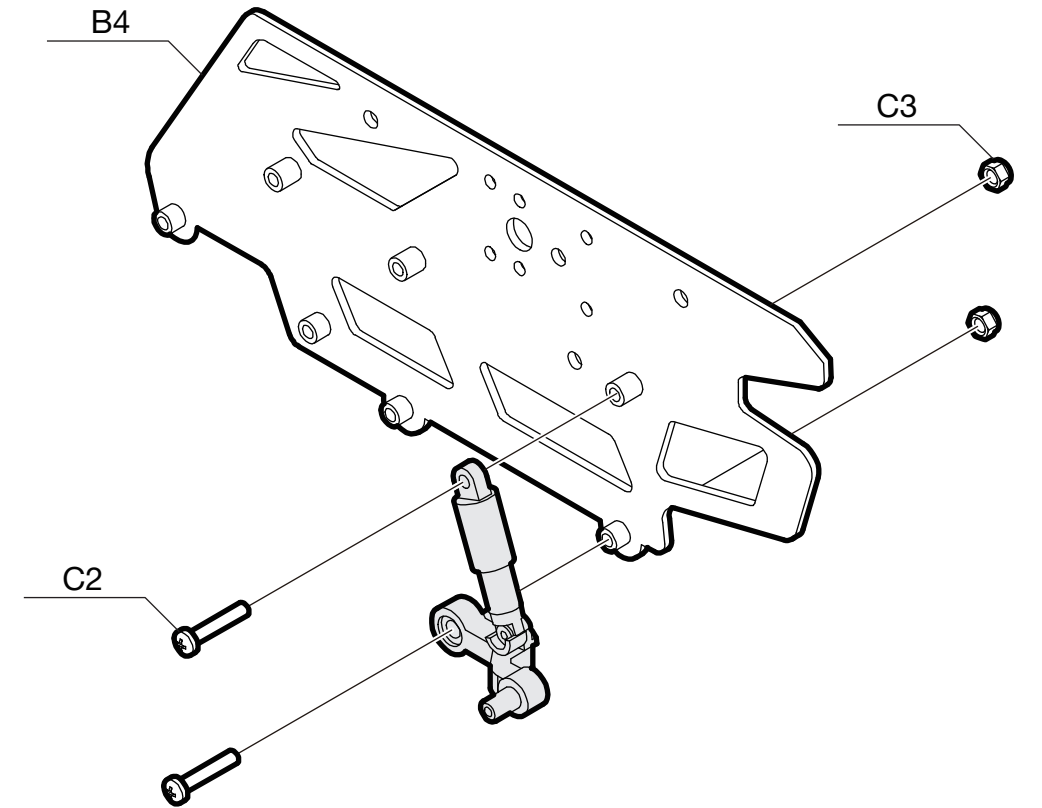
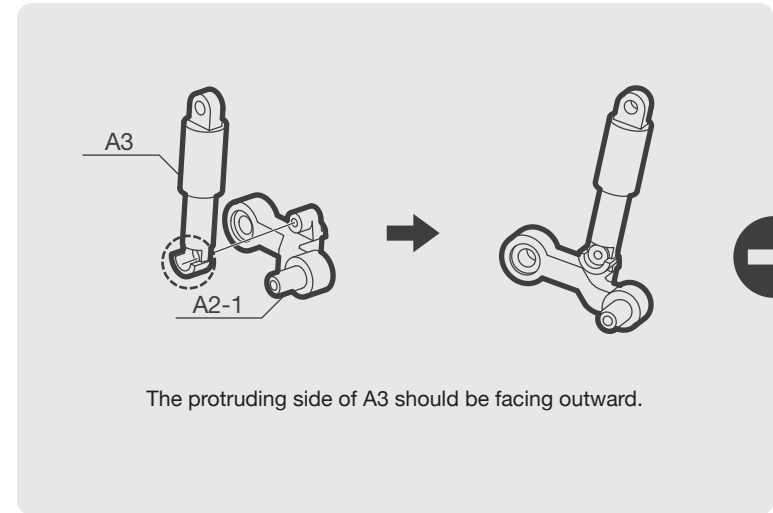
Selection Tool



Soldering Iron

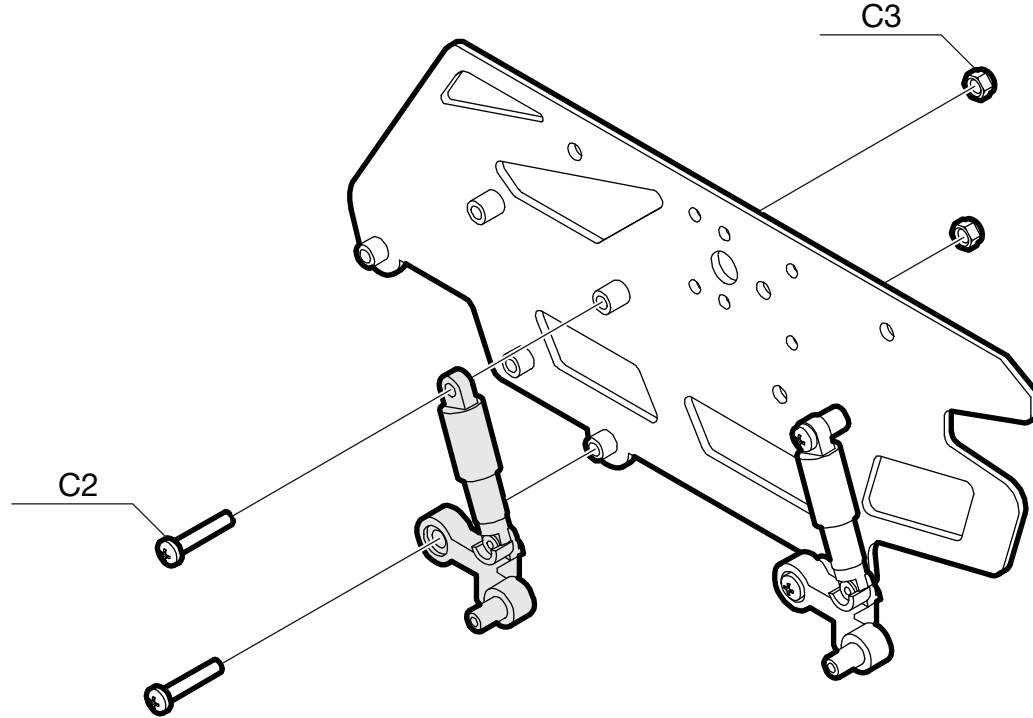
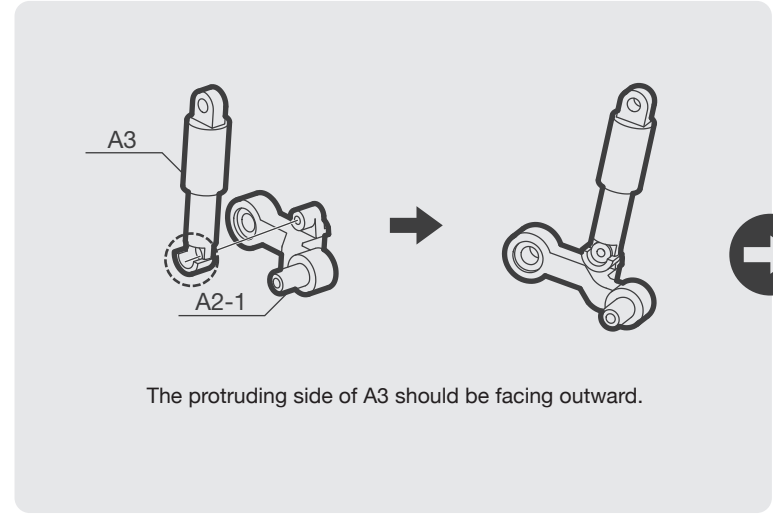


Wire Strippers

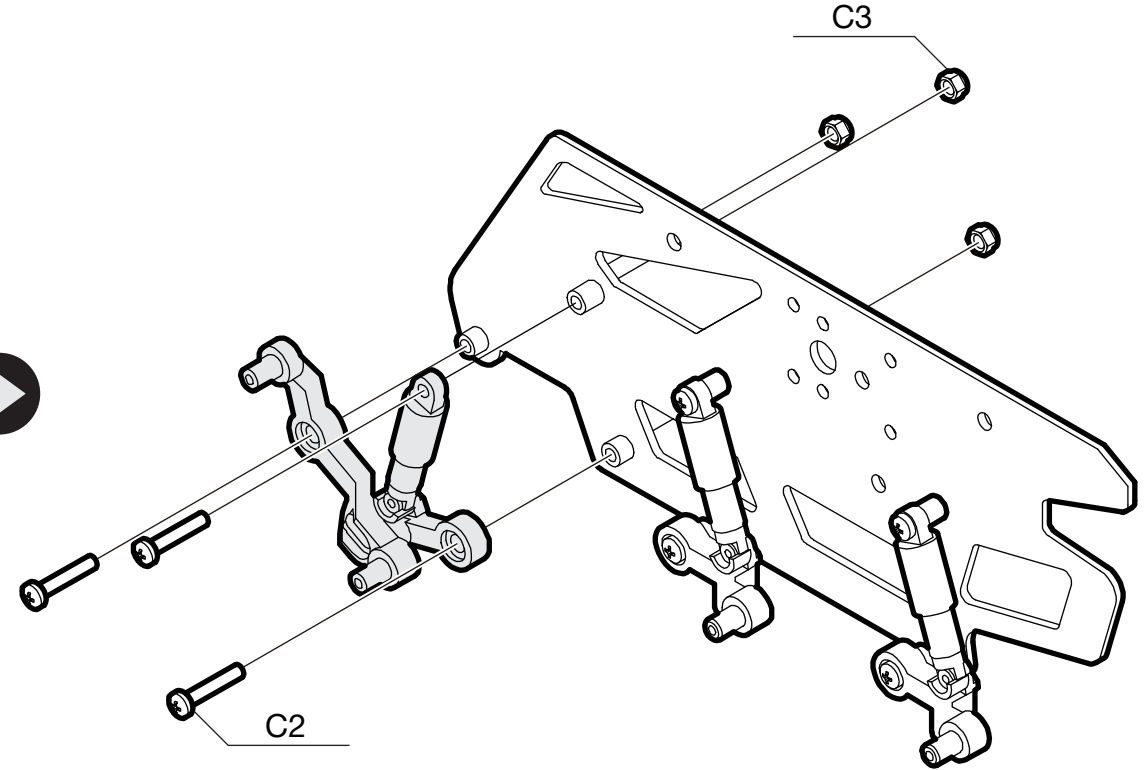
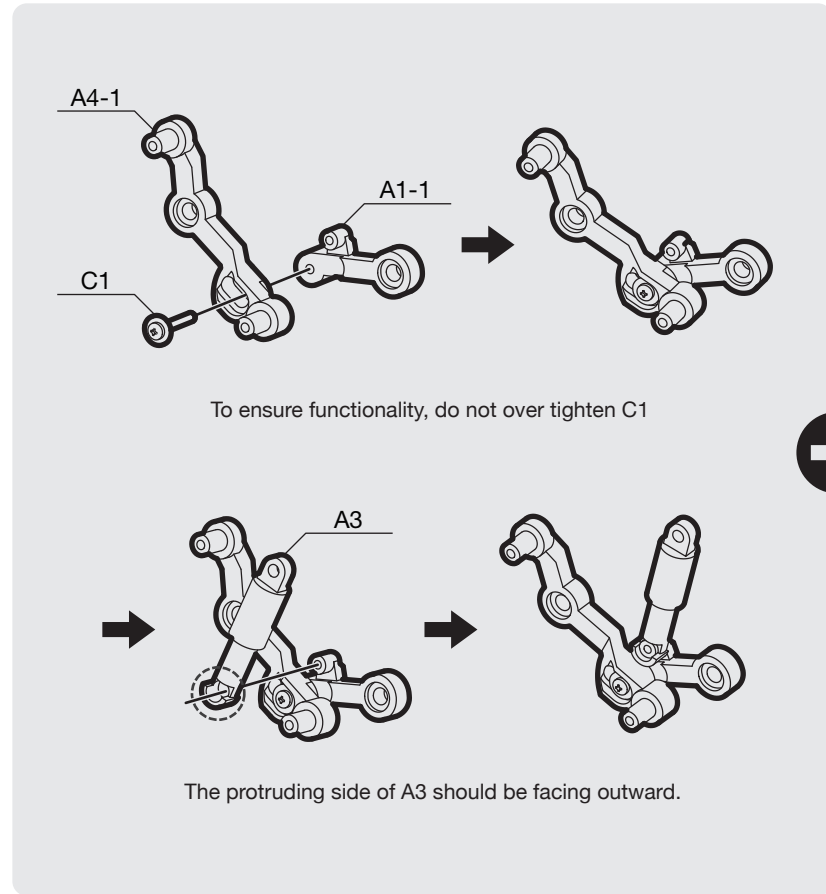


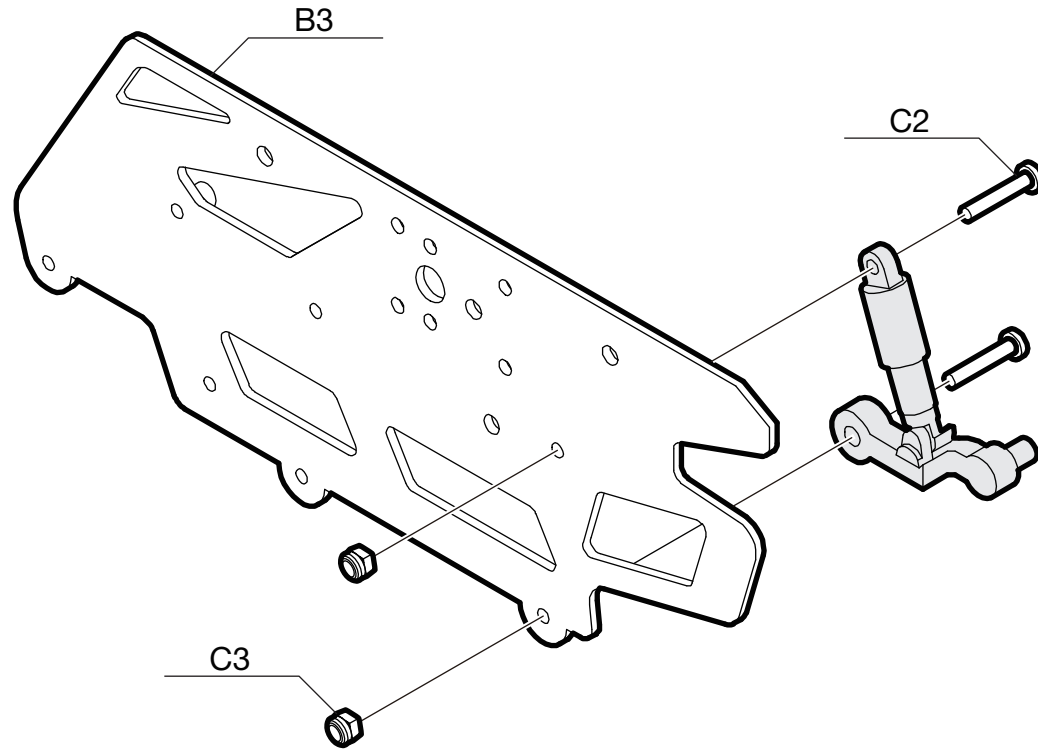
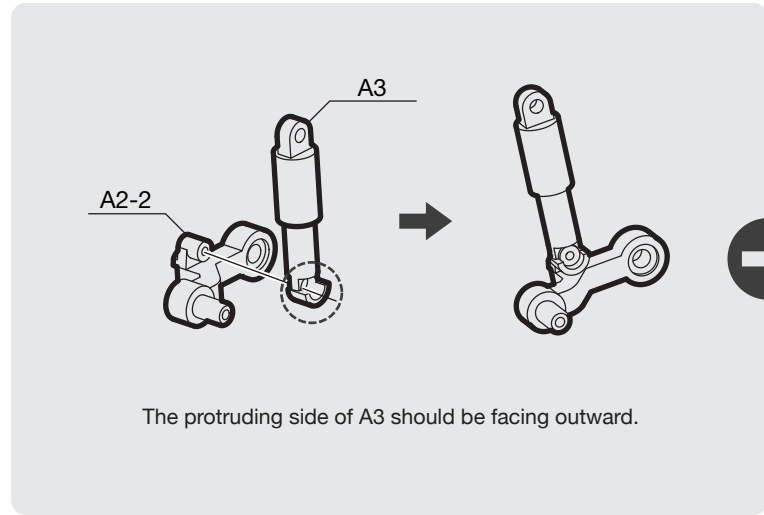
Make sure the aluminum side panel faces the correct direction.

Note: Tools and Batteries are not included.

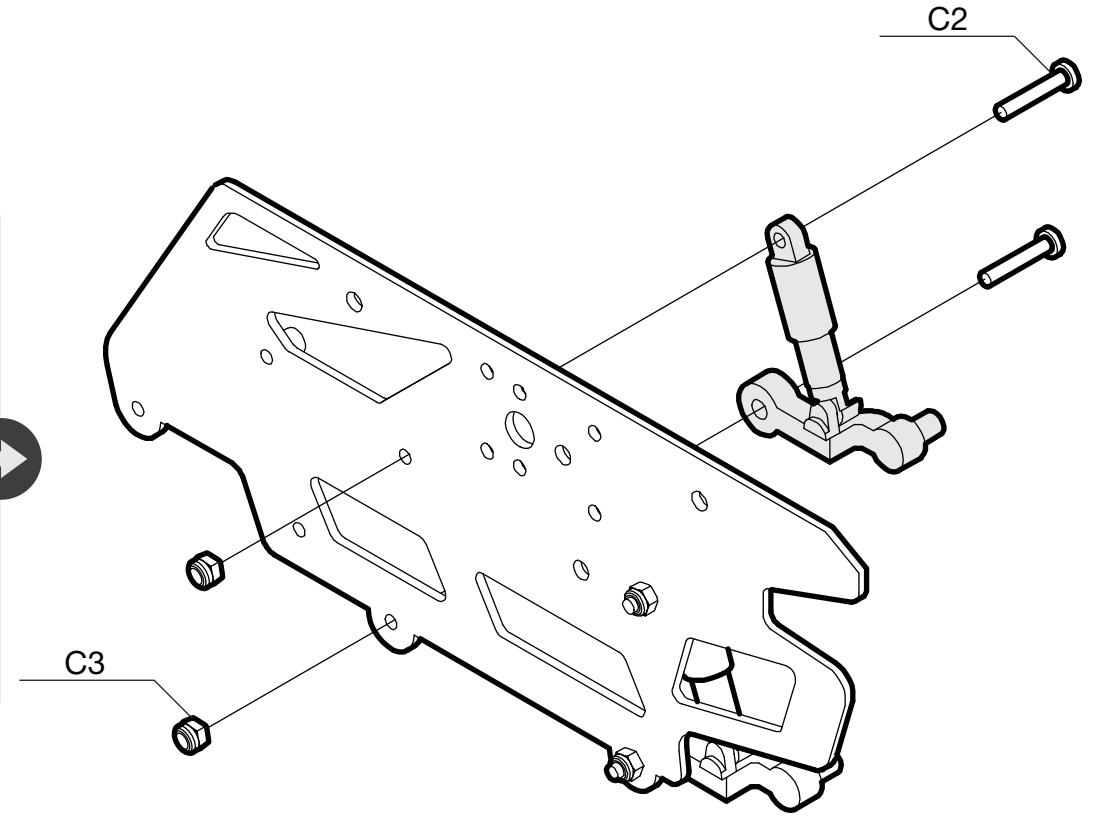
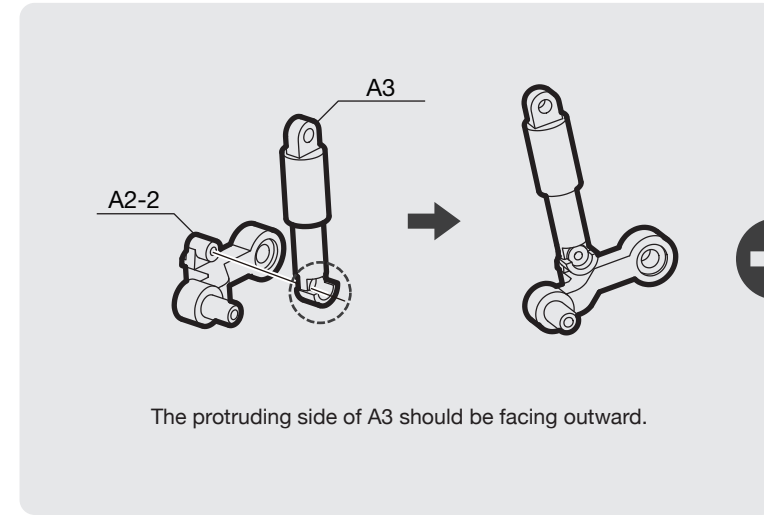


Make sure the aluminum side panel faces the correct direction.

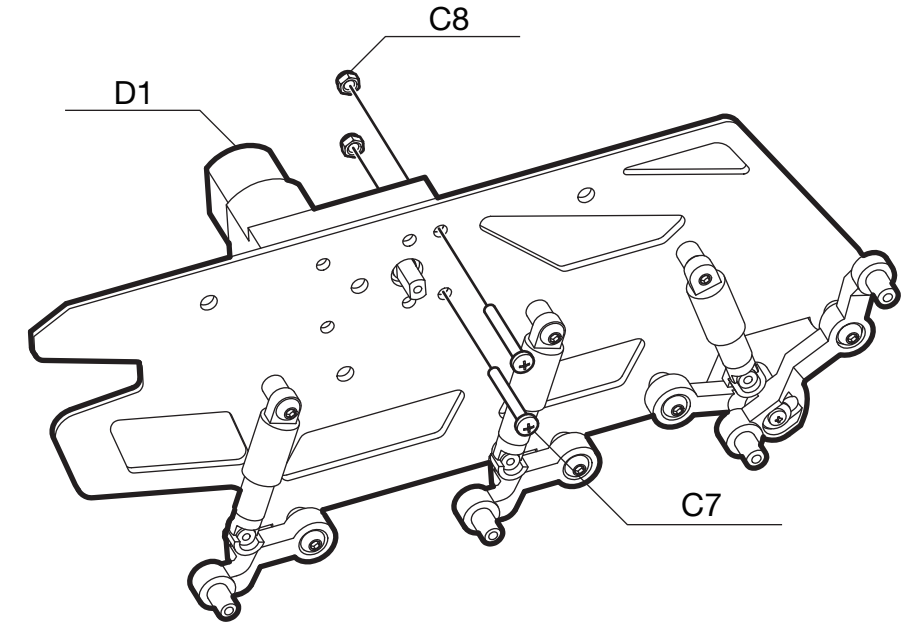
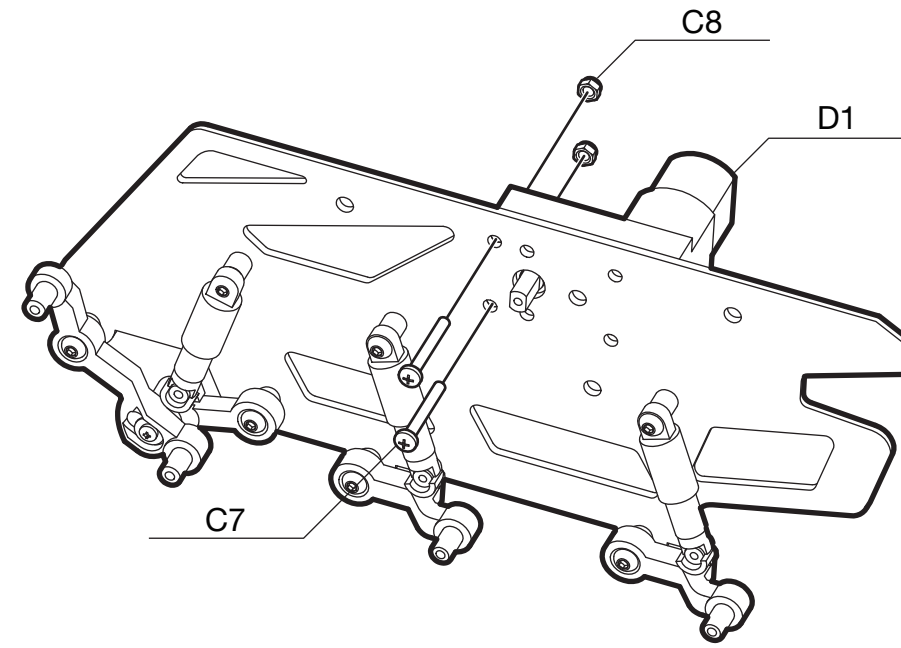
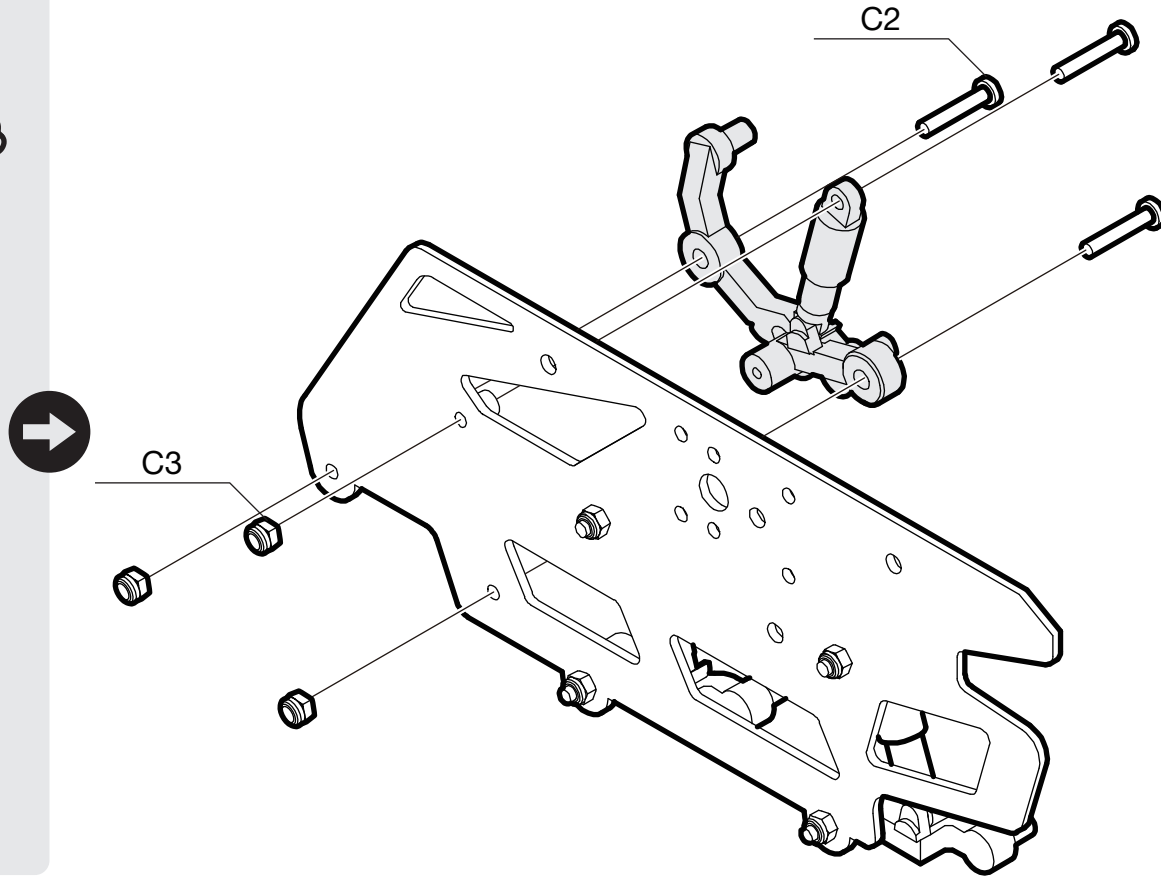
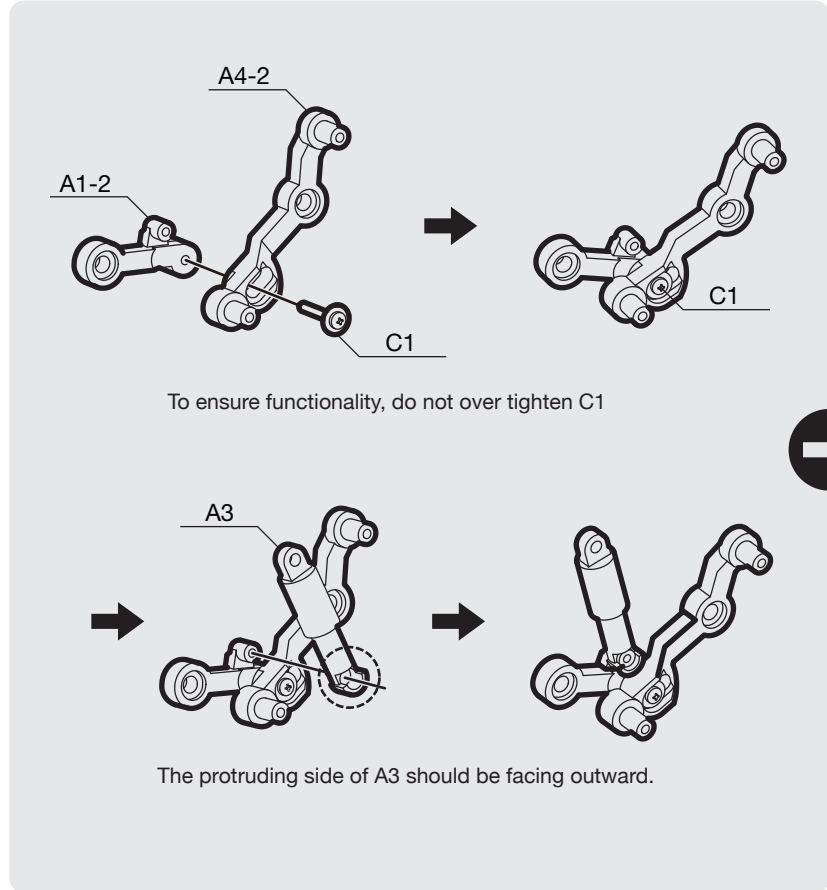


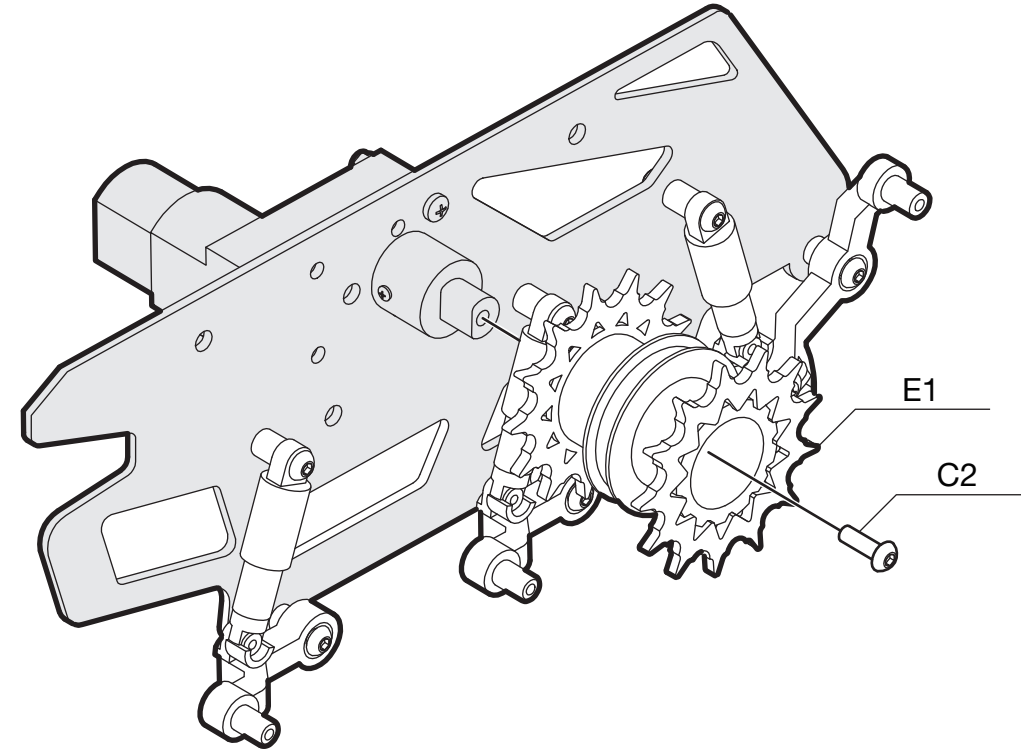
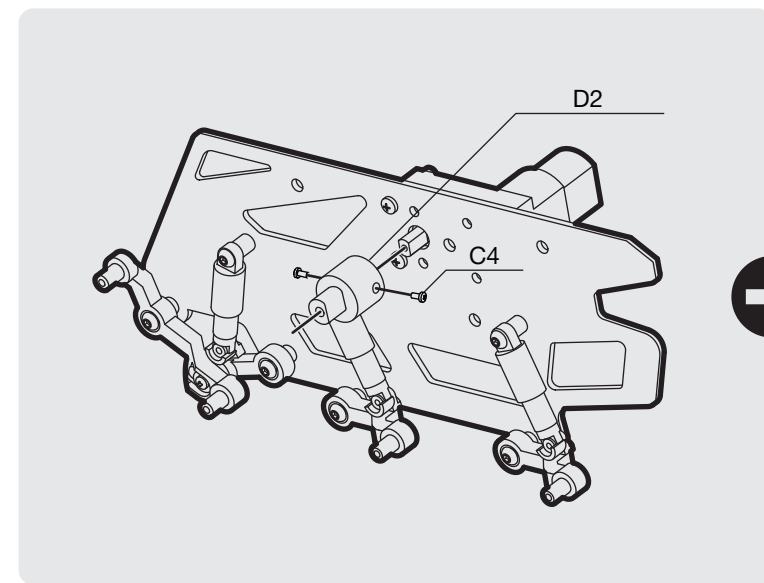
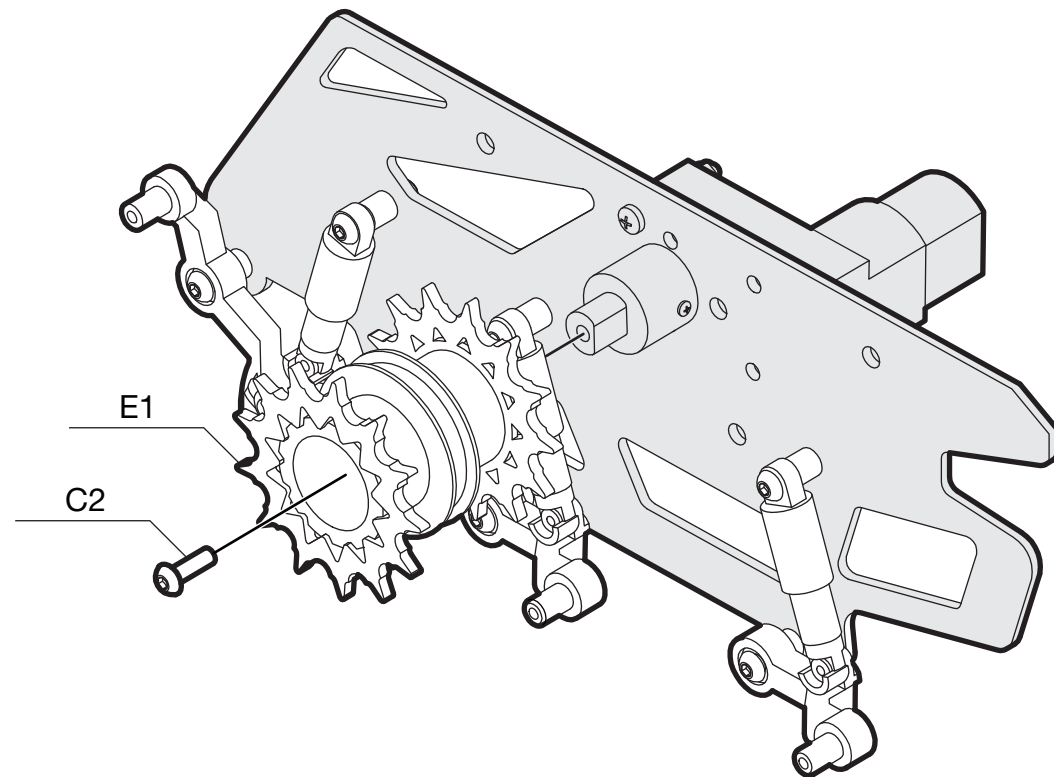
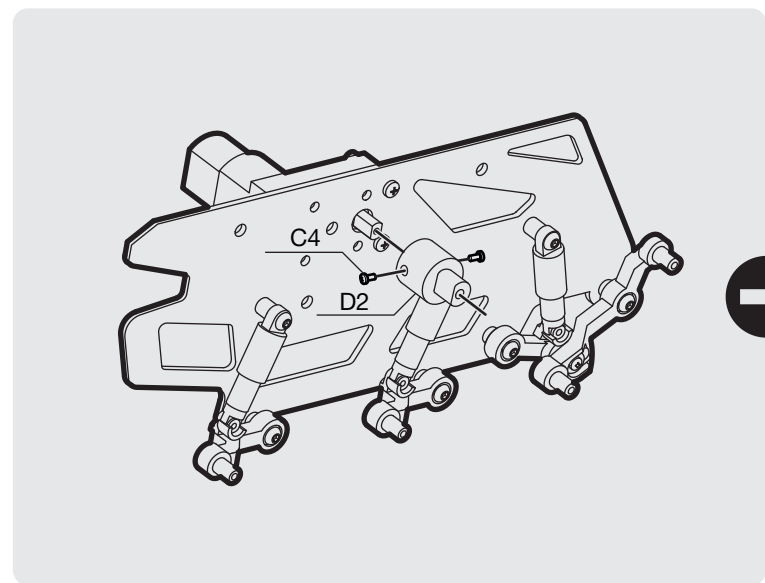


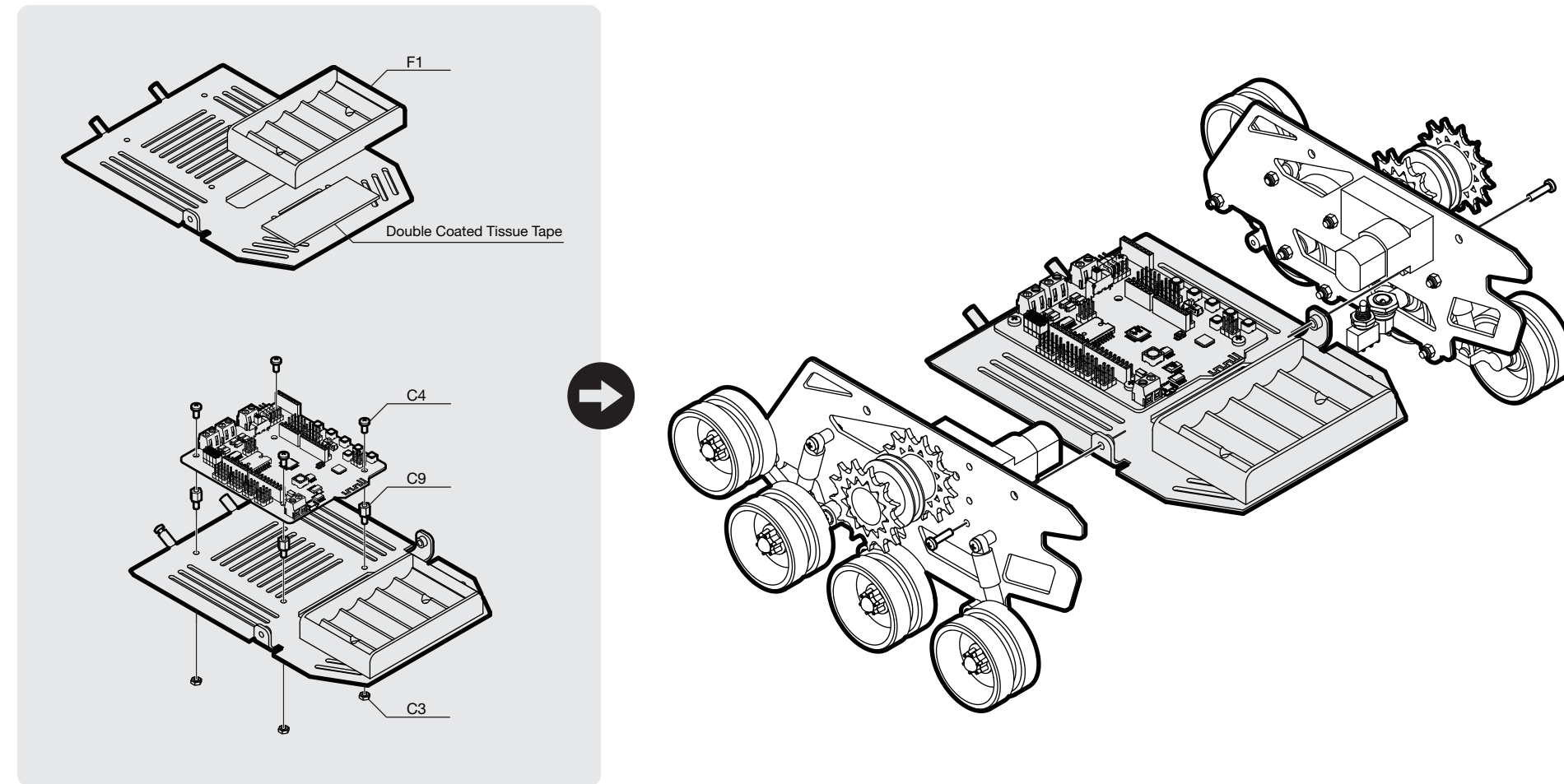
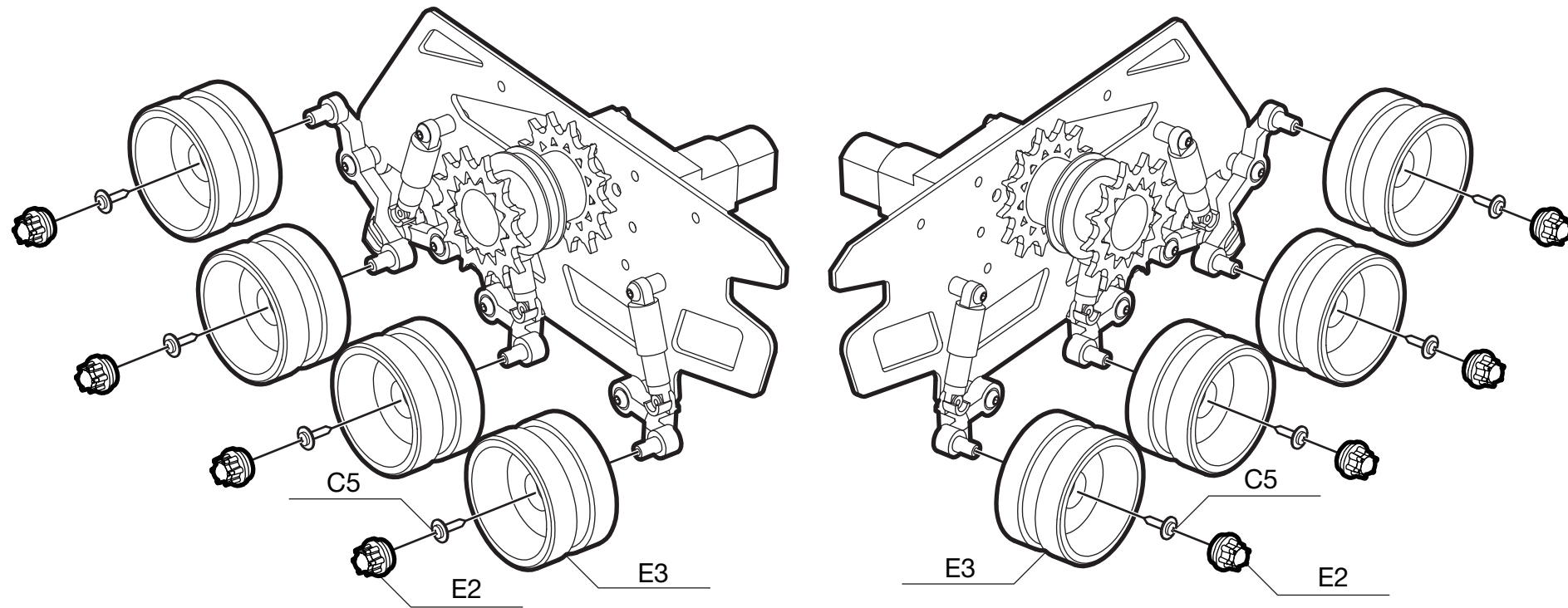
Make sure the aluminum side panel faces the correct direction.



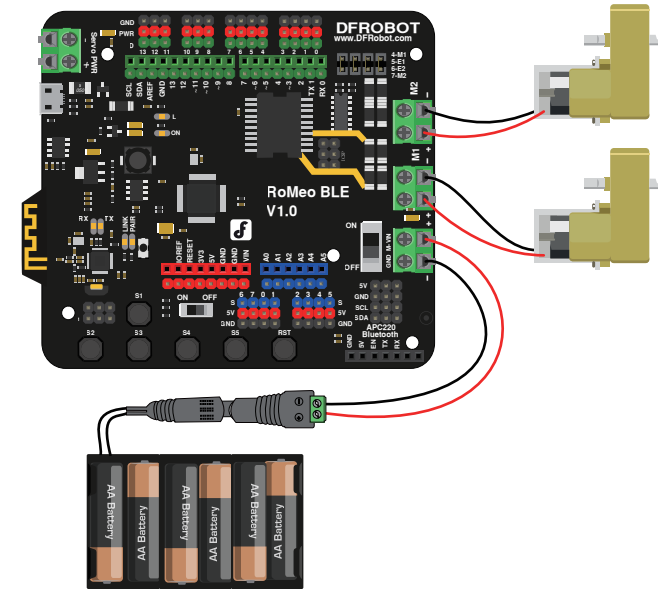
Make sure the aluminum side panel faces the correct direction.



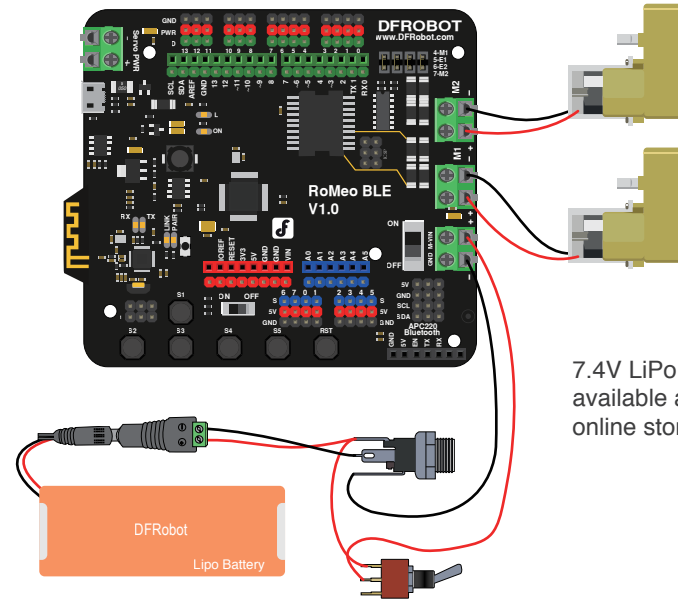




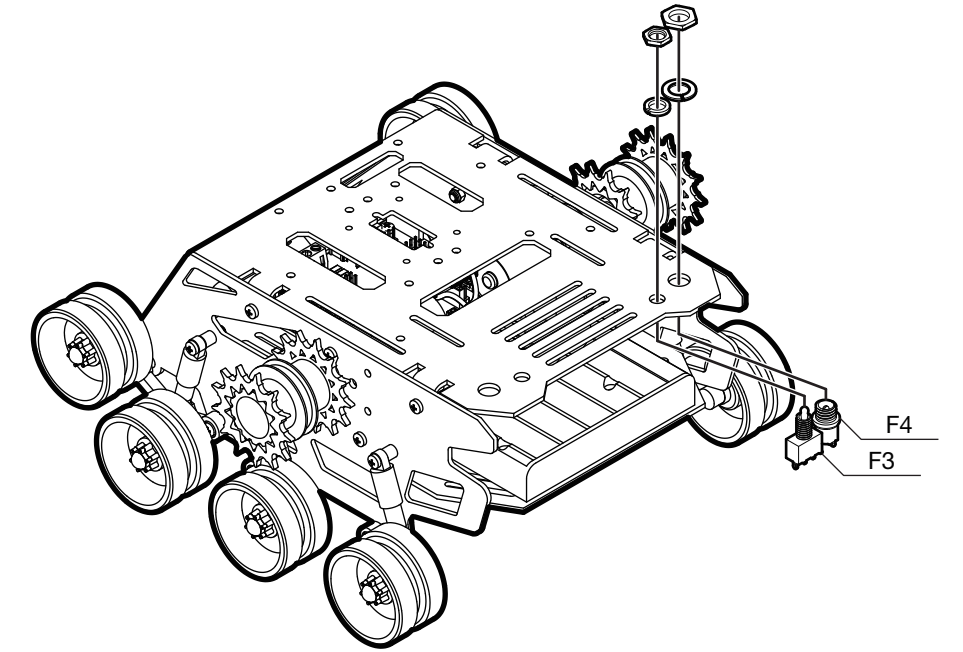
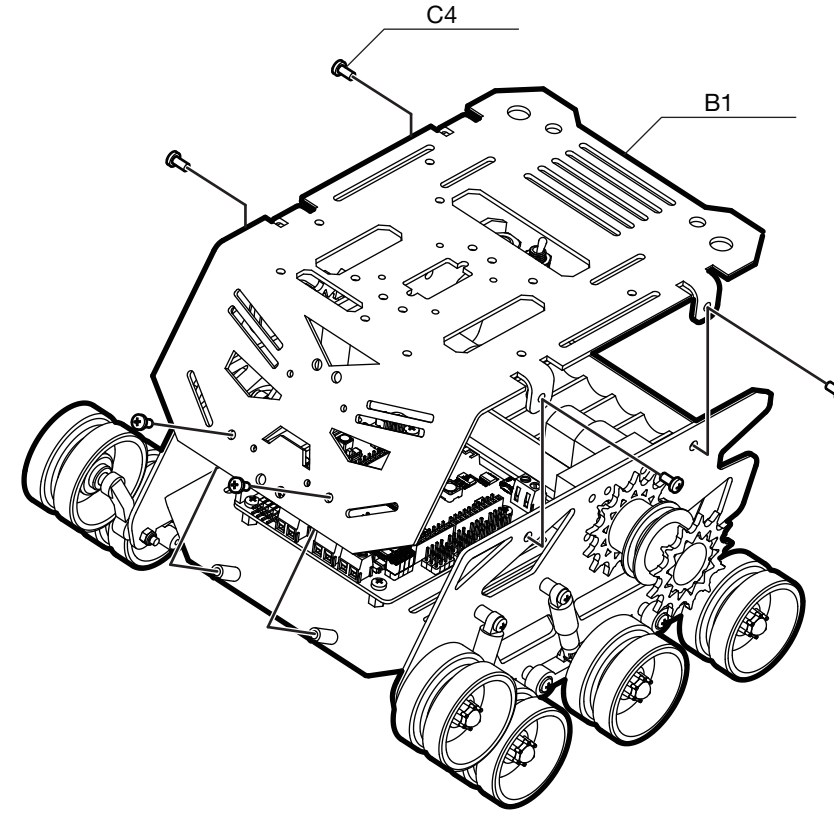
Option A: Battery holder power supply



Option B: Rechargeable battery power supply

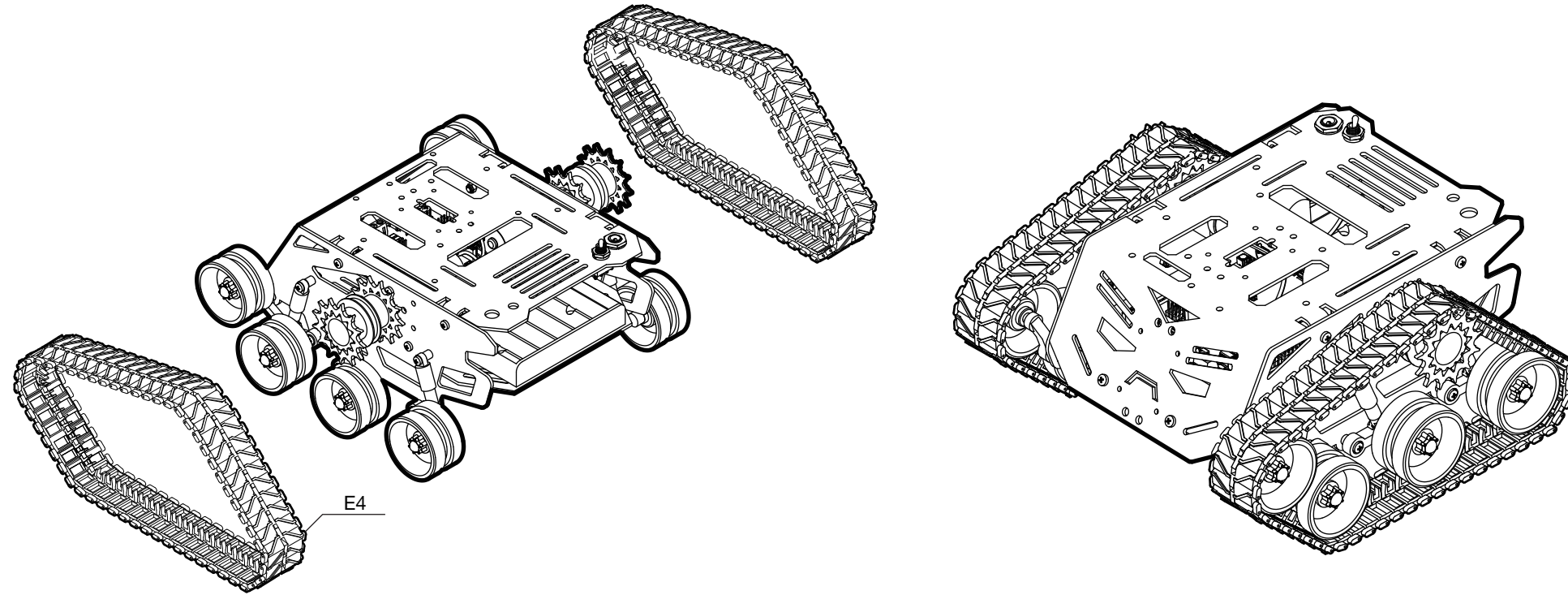


7.4V LiPo batteries are available at the DFRobot online store.



Refer to tutorials on DFRobot Wiki page for trouble shooting.
<https://www.dfrobot.com/wiki>

ROB0112



Recommended Products

Autonomous Obstacle Avoiding Robot

Romeo BLE Controller	(SKU: DFR0305)	X1
Goteck Micro Metal Gear Servo	(SKU: SER0011)	X1
URM37 Ultrasonic Sensor	(SKU: SEN0001)	X1
URM37 Ultrasonic Mounting Bracket	(SKU: FIT0006)	X1

WiFi Monitoring Robot

Romeo BLE Controller	(SKU: DFR0305)	X1
Hexa Base Rotate KIT	(SKU: ROB0114)	X1
DSS-P05 Standard Servo	(SKU: SER0020)	X2
Pan and Tilt Kit	(SKU: FIT0004)	X1
URM37 Ultrasonic Sensor	(SKU: SEN0001)	X1
URM Ultrasonic Mounting Bracket	(SKU: FIT0006)	X1
2.4G WIFI Camera	(SKU: SEN0022)	X1

Accessories

7.4V Lipo 2200mAh Battery	(SKU: FIT0137)	
Mounting Kit	(SKU: FIT0225)	
Jumper Wires 9" F/F	(SKU: FIT0030)	
Magnet Micro USB Cable	(SKU: FIT0351-OE)	

