



Chipsmall Limited consists of a professional team with an average of over 10 year of expertise in the distribution of electronic components. Based in Hongkong, we have already established firm and mutual-benefit business relationships with customers from,Europe,America and south Asia,supplying obsolete and hard-to-find components to meet their specific needs.

With the principle of “Quality Parts,Customers Priority,Honest Operation,and Considerate Service”,our business mainly focus on the distribution of electronic components. Line cards we deal with include Microchip,ALPS,ROHM,Xilinx,Pulse,ON,Everlight and Freescale. Main products comprise IC,Modules,Potentiometer,IC Socket,Relay,Connector.Our parts cover such applications as commercial,industrial, and automotives areas.

We are looking forward to setting up business relationship with you and hope to provide you with the best service and solution. Let us make a better world for our industry!



Contact us

Tel: +86-755-8981 8866 Fax: +86-755-8427 6832

Email & Skype: info@chipsmall.com Web: www.chipsmall.com

Address: A1208, Overseas Decoration Building, #122 Zhenhua RD., Futian, Shenzhen, China

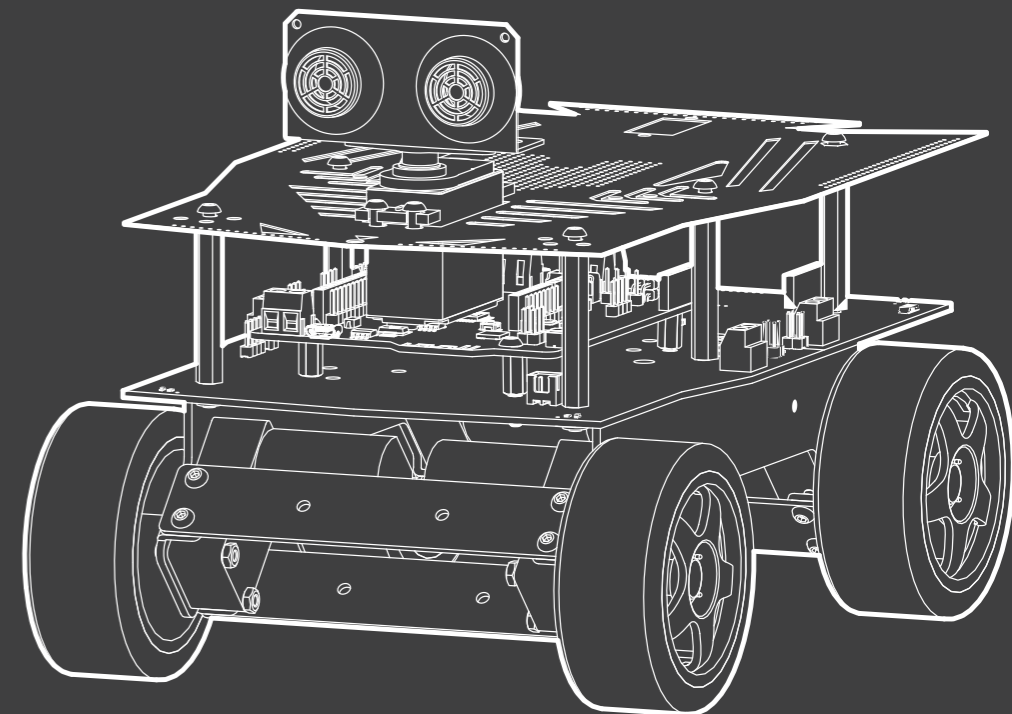


切诺基初级套件

Cherokey 4WD Basic Kit

安装手册

Instruction Manual



网站: www.dfrobot.com.cn

Website: www.dfrobot.com

电话 (Tel): 86-21-61620183

服务支持 (Service): techsupport@dfrobot.com

地址: 中国上海市浦东新区亮秀路112号Y1座615室

Address: Rm. 615, Bldg Y1, NO.112, Liangxiu Rd., Pudong, China

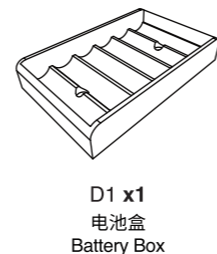
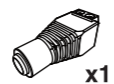
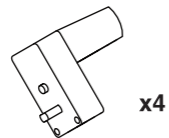
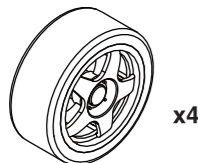
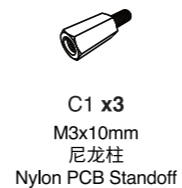
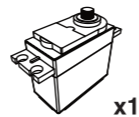
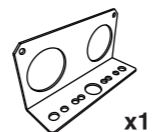
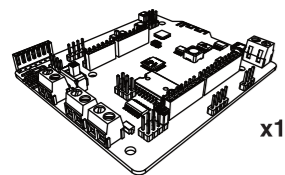
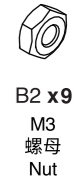
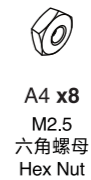
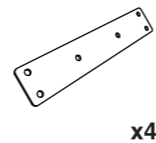
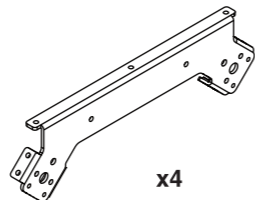
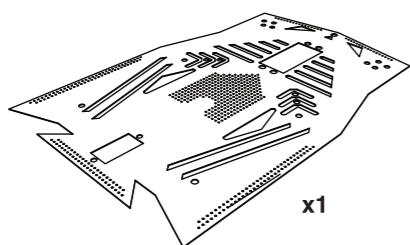
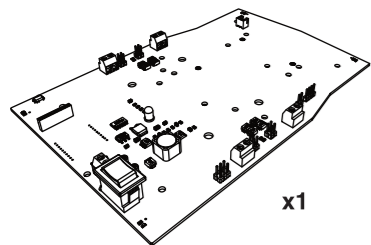
© 本说明书最终解释权归DFRobot所有

DFRobot has the final authority of interpretation on this manual.

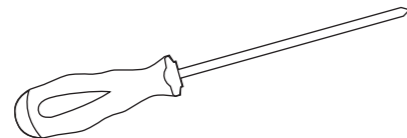


零件清单
Parts List

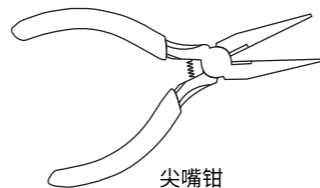
零件清单
Parts List



主要工具
Essential Tools

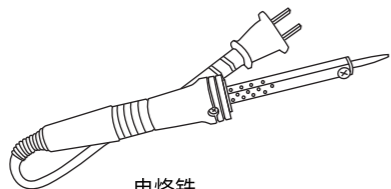


十字螺丝刀
Phillips Screwdriver

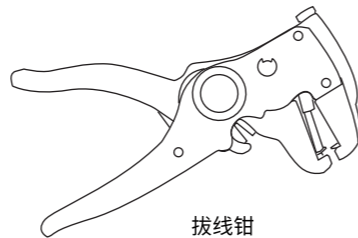


尖嘴钳
Long-Nosed Pliers

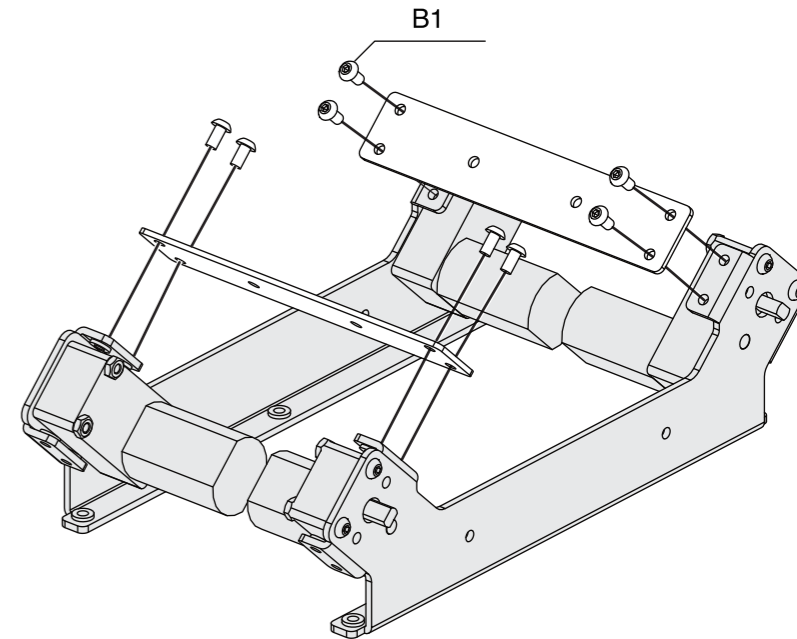
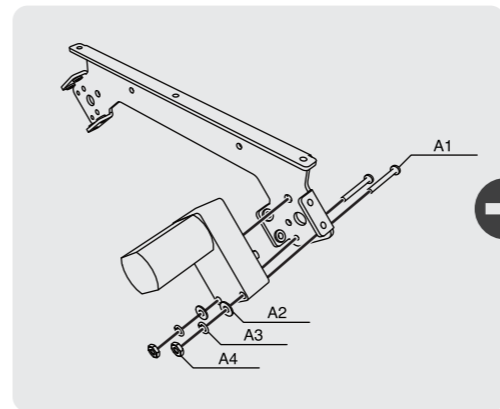
可选工具
Optional Tools



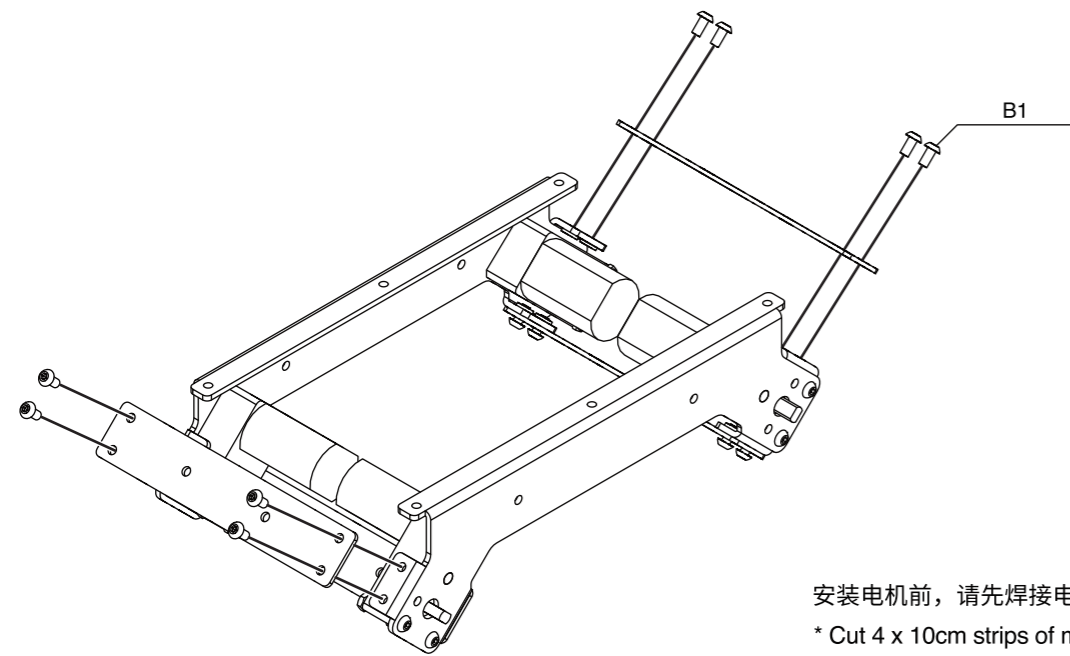
电烙铁
Soldering Iron



拔线钳
Wire Strippers

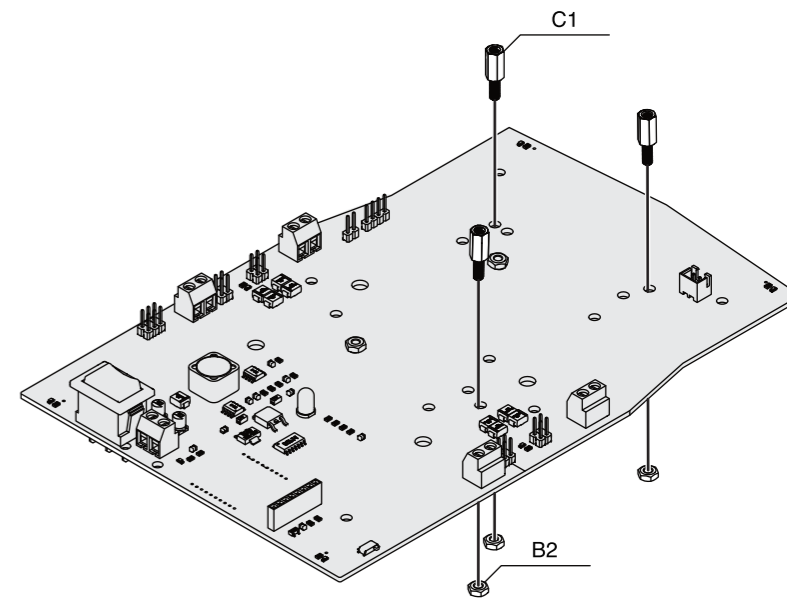
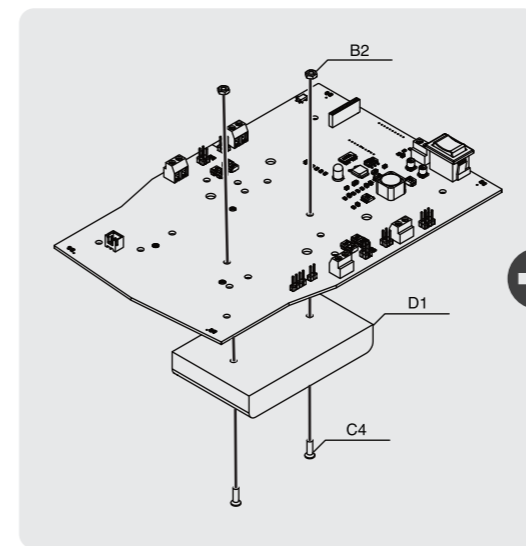


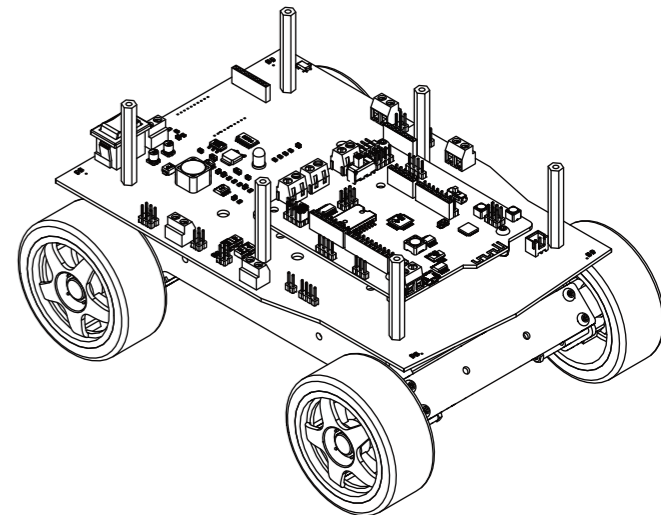
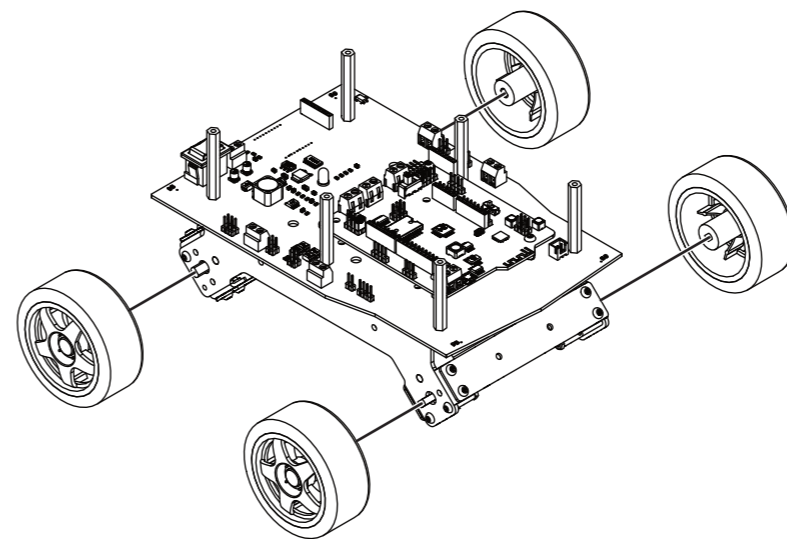
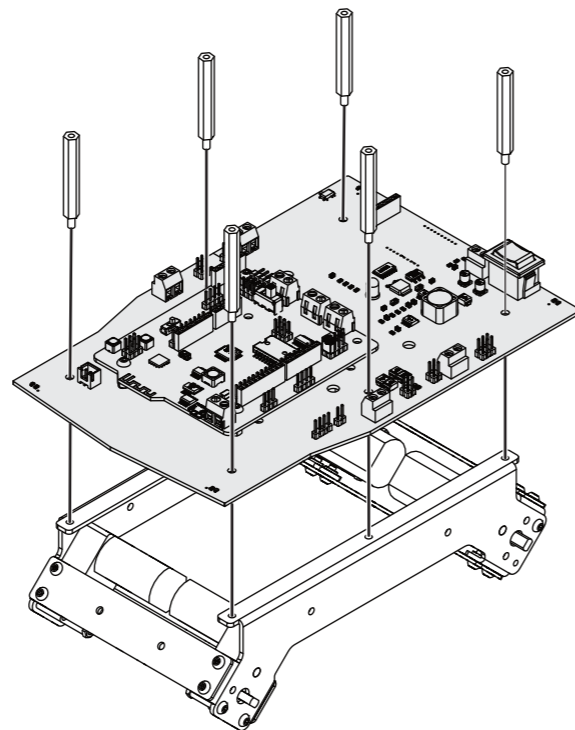
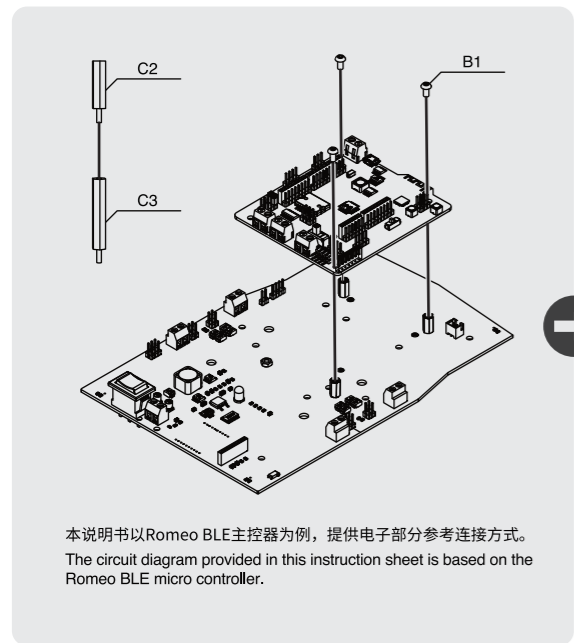
备注：本套件不包含工具和电池。
Note: Tools and Batteries not included.



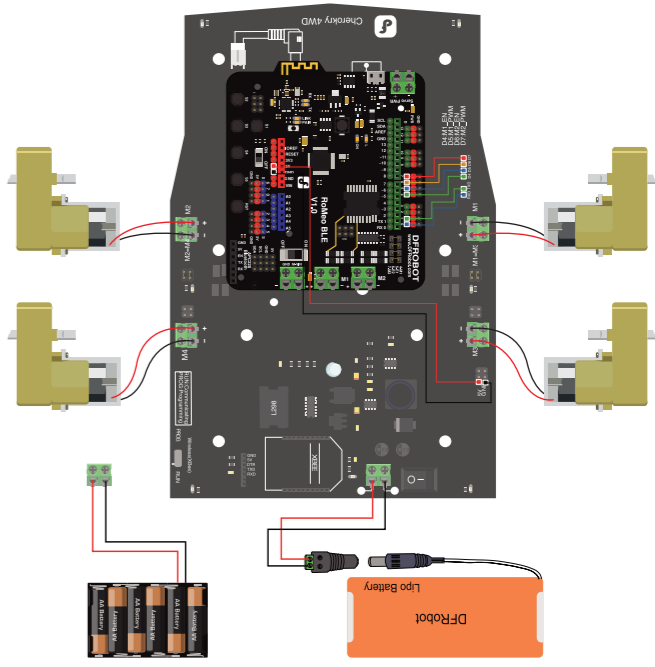
安装电机前，请先焊接电机线。

- * Cut 4 x 10cm strips of motor wire
- * Solder wires to motor terminals
- * Install motors





为了便于后续安装，请将电机线穿过扩展板通孔。
Lead motor power cables through holes to keep it neat and tidy.



电源连接说明书将提供两种方案：
There are two options to power your device:

- (1) 电池盒供电方案A
(1) Option A: Battery holder power supply.
- (2) 7.4V充电电池供电方案B
(2) Option B: Rechargeable battery power supply

7.4V 充电电池可在DFRobot商城选购，用户可按需求自行选择。
7.4V LiPo batteries are available at the DFRobot online store.

如想了解更多相关信息，可进入DFRobot Wiki查看更多教程。

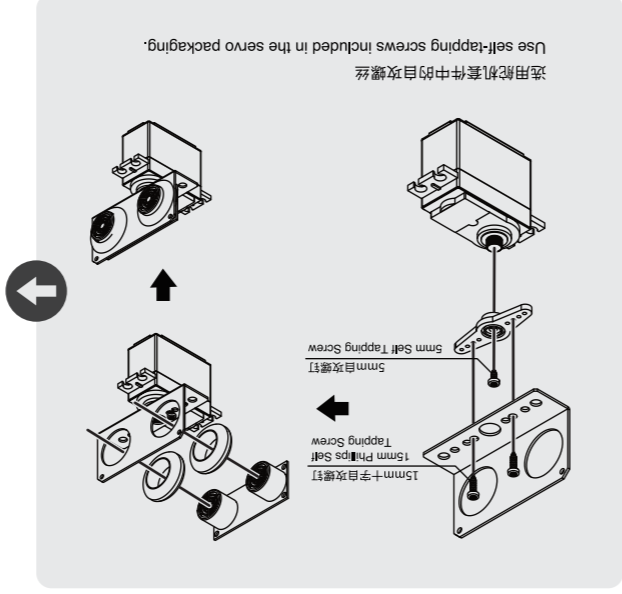
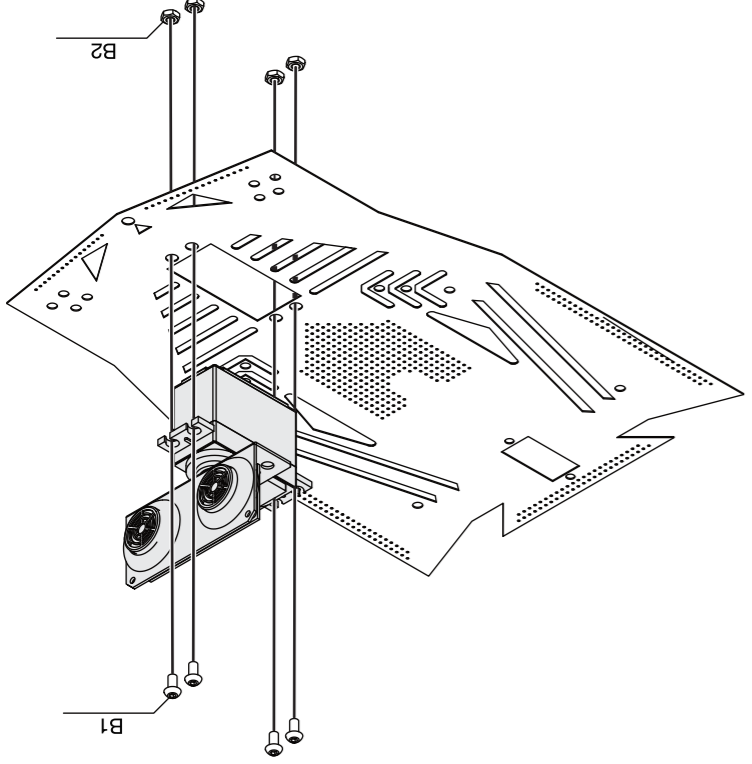
<http://wiki.dfrobot.com.cn/>

ROB0117



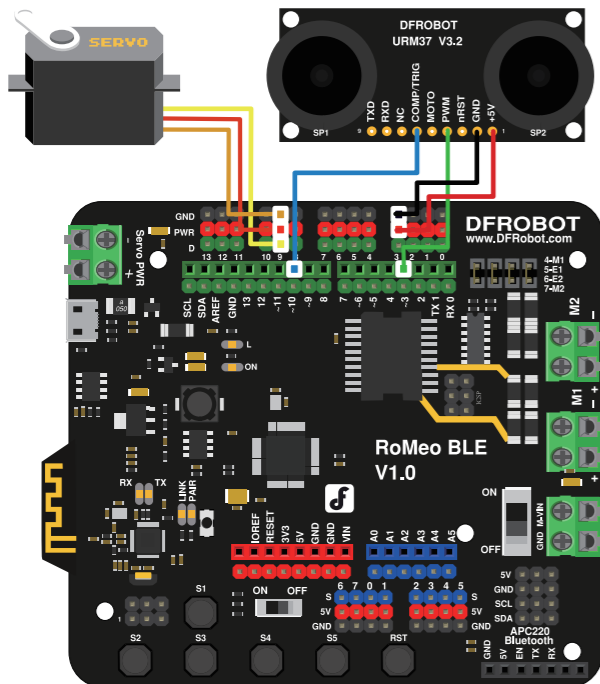
Refer to tutorials on DFRobot Wiki page for trouble shooting
<https://www.dfrobot.com/wiki>

ROB0117



选用舵机套件中的自攻螺丝
Use self-tapping screws included in the servo packaging.

电路连接图
Servo / Sensor Connections



在搭建好舵机与超声波传感器的电路后，请先对两者进行调校。
详情见产品Wiki (可扫描二维码)：Step4 调试超声波和舵机

Calibrate servo and ultrasonic sensor circuit before installing
in to chassis.

Read content " Step 4: Servo and Ultrasonic Sensor Calibration"
on its Wiki page (QR code available) for more details.

