



Chipsmall Limited consists of a professional team with an average of over 10 year of expertise in the distribution of electronic components. Based in Hongkong, we have already established firm and mutual-benefit business relationships with customers from,Europe,America and south Asia,supplying obsolete and hard-to-find components to meet their specific needs.

With the principle of "Quality Parts,Customers Priority,Honest Operation,and Considerate Service",our business mainly focus on the distribution of electronic components. Line cards we deal with include Microchip,ALPS,ROHM,Xilinx,Pulse,ON,Everlight and Freescale. Main products comprise IC,Modules,Potentiometer,IC Socket,Relay,Connector.Our parts cover such applications as commercial,industrial, and automotives areas.

We are looking forward to setting up business relationship with you and hope to provide you with the best service and solution. Let us make a better world for our industry!



Contact us

Tel: +86-755-8981 8866 Fax: +86-755-8427 6832

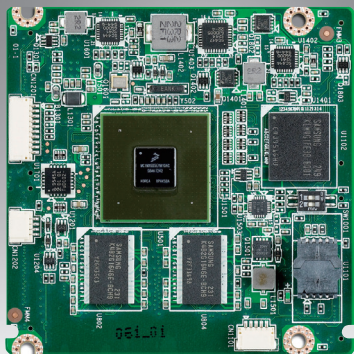
Email & Skype: info@chipsmall.com Web: www.chipsmall.com

Address: A1208, Overseas Decoration Building, #122 Zhenhua RD., Futian, Shenzhen, China



ROM-3420

NXP ARM® Cortex®-A9 i.MX6 RTX v2.0 module



Introduction

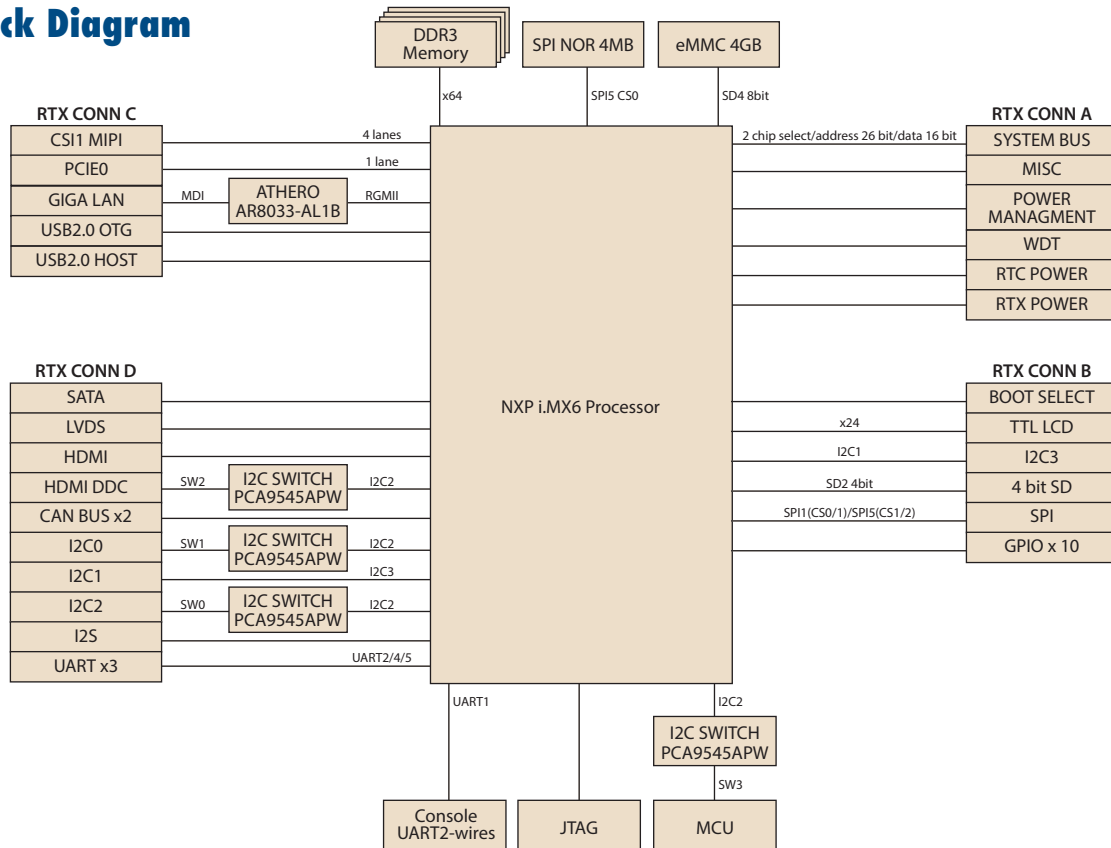
ROM-3420 RTX2.0 module integrates an ARM Cortex A9 Dual 1 GHz NXP i.MX6 series ultra low power SoC and I/O solution with Linux. NXP i.MX6 supports 2D, 3D graphics acceleration, and a full HD 1080P video decoding encoding hardware engine. ROM-3420 supports 5V~24V wide range power inputs and a wide temperature design for industrial applications.

ROM-3420 RTX2.0 module offers an Advantech ROM-DB3900 evaluation carrier board for easy integration and hardware design reference, and also provides a Linux BSP utility and reference codes for application development and device integration.

Specifications

Form Factor		RTX v2.0
Processor System	CPU	NXP ARM Cortex-A9 i.MX6 1 GHz
	Technology	DDR3 1066 MHz
Memory	Capacity	On-board DDR3 1 GB
	Flash	4 GB eMMC NAND Flash for O.S. and 4 MB SPI NOR Flash for Advantech boot loader
Graphics	LVDS	1 Single 24-bit LVDS, 1366 x 768 at 60Hz
	HDMI	1920 x 1080 at 60Hz
	Parallel RGB	1 24-bit TTL, 1920 x 1200 at 60Hz
	VGA	-
	Graphics Engine	2 IPUs. OpenGL ES 2.0 for 3D, BitBlit for 2D and OpenVG 1.1
H/W Video Codec	Decoder	MPEG-4 ASP, H.264 HP, H.263, MPEG-2 MP, MJPEG BP
	Encoder	MPEG-4 SP, H.264 BP, H.263, MJPEG BP
Ethernet	Chipset	NXP i.MX6 integrated RGMII
	Speed	1 x 10/100/1000 Mbps
RTC	RTC	Yes
WatchDog Timer		256-level timer interval, from 0 ~ 128 sec
I/O	PCIe	1 PCIe x 1
	SATA	1 SATA II
	USB	1 USB 2.0, 1 USB 2.0 OTG
	Audio	I ² S
	SPDIF	-
	SDIO	1
	Serial Port	3 UART (3 x 4 wire w / 3.3V)
	SPI	2
	CAN	2 CAN bus 2.0B
	GPIO	10
	I ² C	4
	Camera Input	1 MIPI v1.0, 4 x Lane
	System Bus	Address: 26 bits, Data: 16 bits
	Touch	-
Keypad	-	
Power	Power Supply Voltage	5 ~ 24 V
	Power Consumption	6.25W (Max)
Environment	Operating Temperature	0 ~ 60 °C / -40 ~ 85 °C
	Operating Humidity	0% ~ 90% relative humidity, non-condensing
Mechanical	Dimensions (W x D)	68 x 68 mm
Operation system		Linux & Android
Certifications		CE/FCC Class B

Block Diagram



Ordering Information

Part No.	CPU	Memory	Flash Memory	UART	LAN	USB Host	USB OTG	Display	SATA	PCIe	HDMI	SD	CANbus	I ² C	SPI	Size	Power input	Operating Temperature
ROM-3420CD-MDA1E	i.MX6 Dual 1GHz	1 GB	4 GB	3	1	1	1	1 x 24bit LVDS 1 x 24bit TTL 1 x HDMI	1	1	1	1	2	4	2	68 x 68 x 7 mm	5 V ~ 24 V	0 ~ 60 °C
ROM-3420WD-MDA1E	i.MX6 Dual 1GHz	1 GB	4 GB	3	1	1	1	1 x 24bit LVDS 1 x 24bit TTL 1 x HDMI	1	1	1	1	2	4	2	68 x 68 x 7 mm	5 V ~ 24 V	-40 ~ 85 °C

Development Board

Part No.	Description
ROM-DB3900-SWA1E	Development board for RTX2.0 module
ROM-DK3420-FOA1E	ROM-3420 EVK Kit (RTX v2.0)

Optional Accessories

Part No.	Description
1700022373-01	Debug port cable for ROM-3420/5420
9696ED2000E	Debug adapter board
1960065189N001	Semi-Heatsink for ROM-3420
1930004835	Screws for heatsink

Dimensions

