



Chipsmall Limited consists of a professional team with an average of over 10 year of expertise in the distribution of electronic components. Based in Hongkong, we have already established firm and mutual-benefit business relationships with customers from,Europe,America and south Asia,supplying obsolete and hard-to-find components to meet their specific needs.

With the principle of "Quality Parts,Customers Priority,Honest Operation,and Considerate Service",our business mainly focus on the distribution of electronic components. Line cards we deal with include Microchip,ALPS,ROHM,Xilinx,Pulse,ON,Everlight and Freescale. Main products comprise IC,Modules,Potentiometer,IC Socket,Relay,Connector.Our parts cover such applications as commercial,industrial, and automotives areas.

We are looking forward to setting up business relationship with you and hope to provide you with the best service and solution. Let us make a better world for our industry!



Contact us

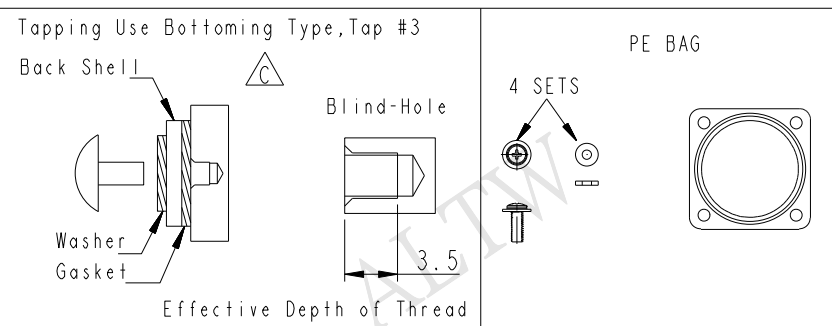
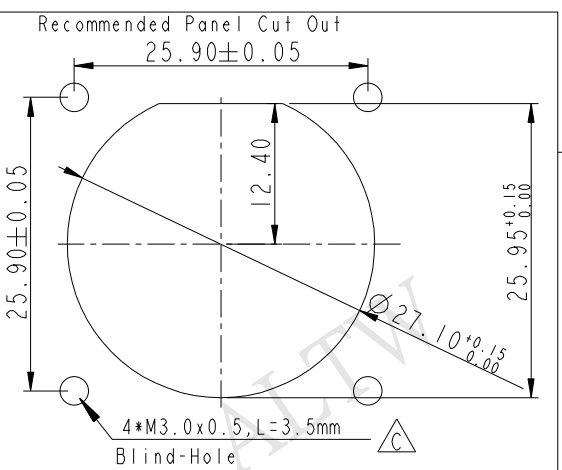
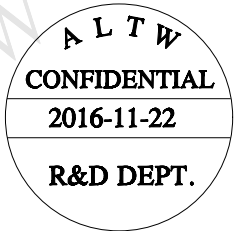
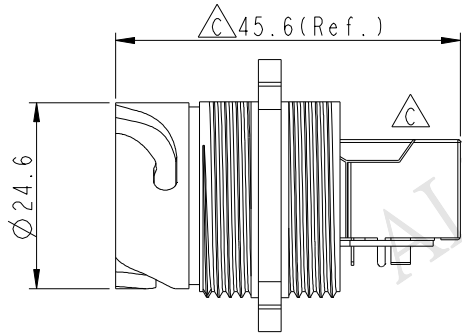
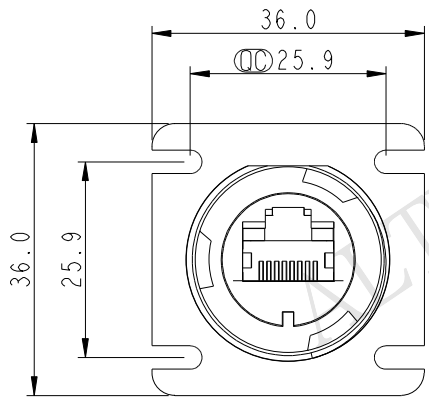
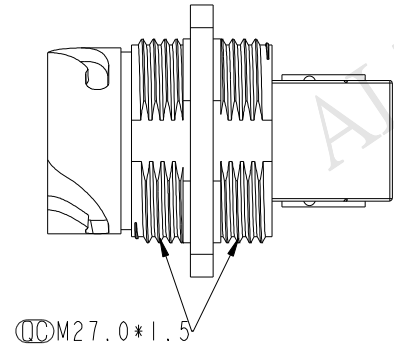
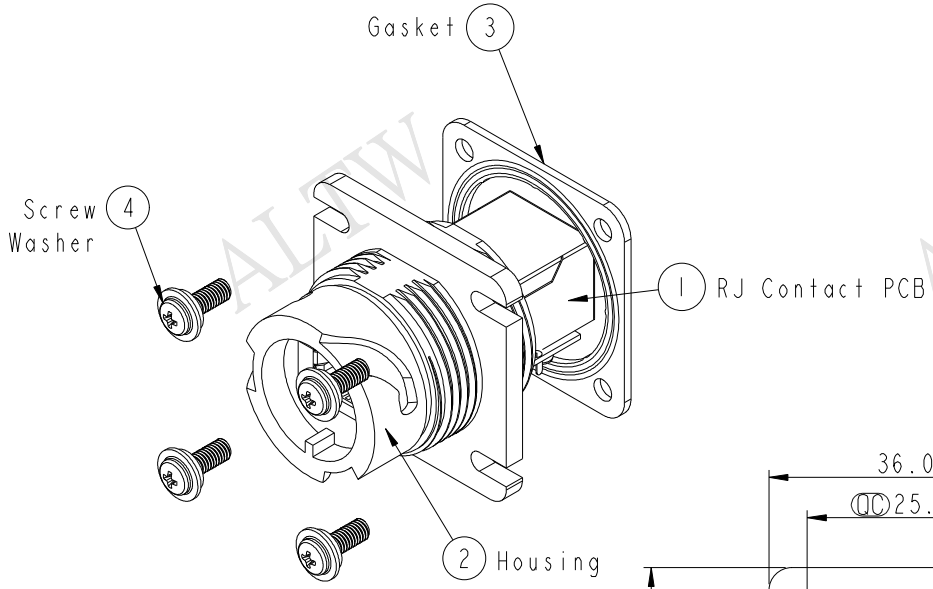
Tel: +86-755-8981 8866 Fax: +86-755-8427 6832

Email & Skype: info@chipsmall.com Web: www.chipsmall.com

Address: A1208, Overseas Decoration Building, #122 Zhenhua RD., Futian, Shenzhen, China



REV.	ECN NO.	DATE	SIGN	DESCRIPTION
C	LEN13A0046	2013-10-15	Raison	Modify Jack and Note
D	LEN1610151	2016-01-08	Ruru	Change Note
E	LEN16B0208	2016-11-22	Feng_Li	Modify Gasket Shape



- Note:
- * \varnothing Important Dimension
 - * \triangle Waterproof Rate: IP67 Unmated
 - * Housing: Nylon+GF, BLACK
 - * RJ45 Jack: Cat 5e, Shield
 - * \triangle Gasket: Silicone, UL 94V-0, Black
 - * Screw: M3.0x L=8.0mm
 - * Contact: Phosphor Bronze, Gold Flash
 - * Screw torsion value range: 1.5~2kgf-cm
 - * Temperature Range: -40°C to 105°C
 - * All Parts Should Meet RoHS Compliant

UNIT: mm		
TOLERANCE	.X ±0.25	
.XX ±0.1		
.XXX ±0.05		
ANGLES	±1°	

TITLE RJ45 ODVA, DOUBLE LOCK Unmated Waterproof			
SCALE 1:1	SIZE A4	SHEET 1 OF 1	
REV. E	WC-REV. B.4	\varnothing : Inspection item	

Amphenol LTW
安費諾亮泰企業股份有限公司

ITEM NO. ROP-5SDFFH-TSU7001	DRAWN BY Feng_Li	DATE 2016-11-22
DWG NO. ROP-5SDFFH-TSU7001	CHECKED BY Jinhai	DATE 2016-11-22
CUSTOMER ALTW	APPROVED BY Jerry	DATE 2016-11-22

THIS DOCUMENT IS SUBJECT TO CHANGE WITHOUT NOTICE. IT IS CONFIDENTIAL AND A PROPERTY OF Amphenol LTW. DISCLOSURE TO THIRD PARTY HAS TO BE AUTHORIZED BY Amphenol LTW.