



Chipsmall Limited consists of a professional team with an average of over 10 year of expertise in the distribution of electronic components. Based in Hongkong, we have already established firm and mutual-benefit business relationships with customers from,Europe,America and south Asia,supplying obsolete and hard-to-find components to meet their specific needs.

With the principle of "Quality Parts,Customers Priority,Honest Operation,and Considerate Service",our business mainly focus on the distribution of electronic components. Line cards we deal with include Microchip,ALPS,ROHM,Xilinx,Pulse,ON,Everlight and Freescale. Main products comprise IC,Modules,Potentiometer,IC Socket,Relay,Connector.Our parts cover such applications as commercial,industrial, and automotives areas.

We are looking forward to setting up business relationship with you and hope to provide you with the best service and solution. Let us make a better world for our industry!



## Contact us

Tel: +86-755-8981 8866 Fax: +86-755-8427 6832

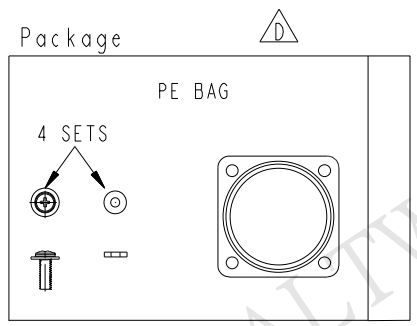
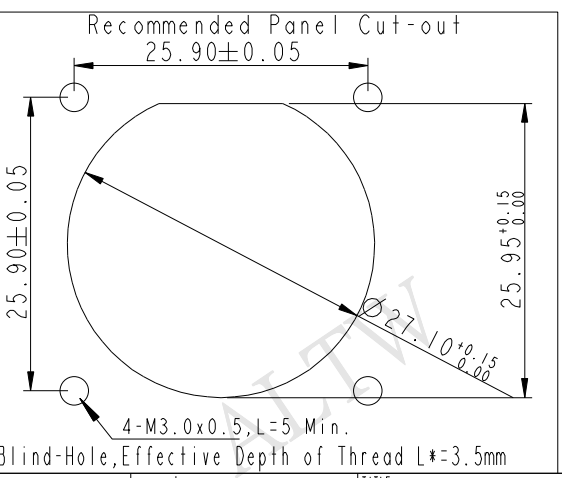
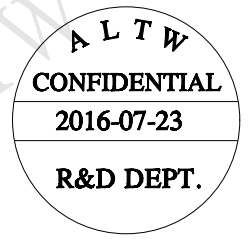
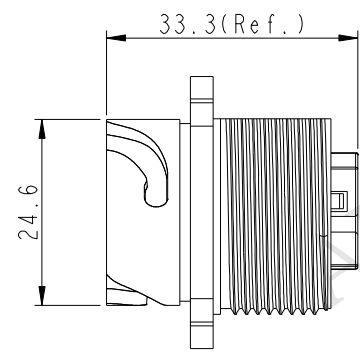
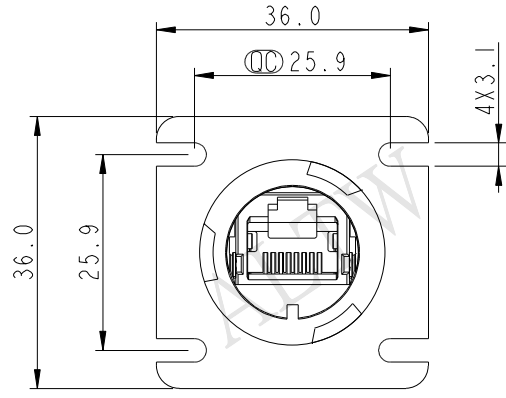
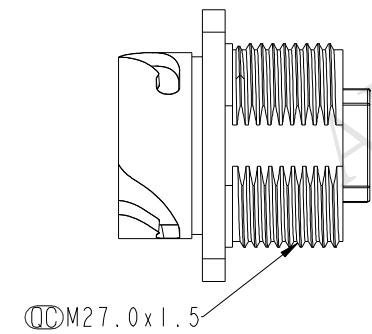
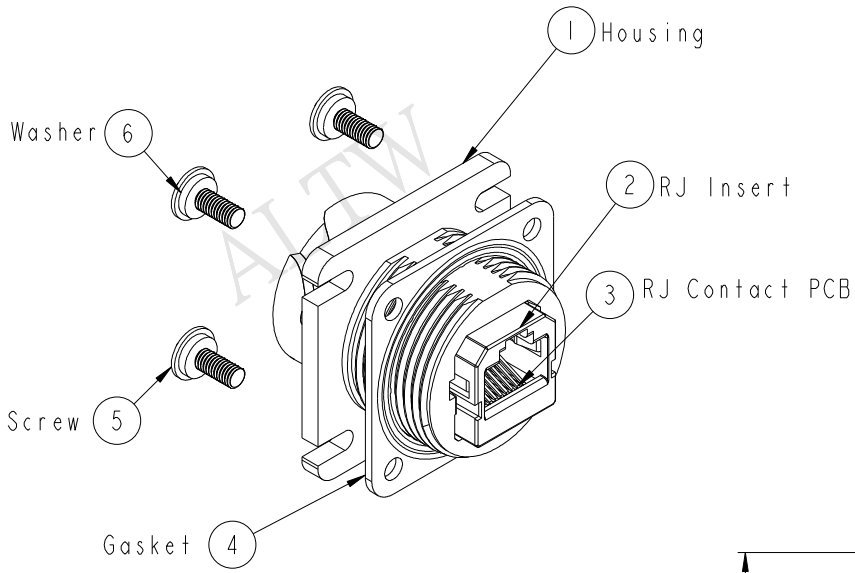
Email & Skype: info@chipsmall.com Web: www.chipsmall.com

Address: A1208, Overseas Decoration Building, #122 Zhenhua RD., Futian, Shenzhen, China



THIS DOCUMENT IS SUBJECT TO CHANGE WITHOUT NOTICE. IT IS CONFIDENTIAL AND A PROPERTY OF Amphenol LTW. DISCLOSURE TO THIRD PARTY HAS TO BE AUTHORIZED BY Amphenol LTW.

REV.	ECN NO.	DATE	SIGN	DESCRIPTION
B	LEN1370011	2013/07/08	Cary	Change Note & Panel Cut-out
C	LEN1610155	2016/01/08	Ruru	Change Note
D	LEN1670657	2016-07-23	Feng_Li	Modify Gasket Shape



- Note:
- \*  $\varnothing$  Important Dimension
  - \* Waterproof Rate: IP67 (Mated Waterproof)
  - \* Housing: Nylon+GF, BLACK
  - \* RJ45 Jack: Cat 5e, Shield
  - \* Gasket: Silicone, UL 94V-0, Black
  - \* Screw: M3.0x L=8.0mm
  - \* Contact: Phosphor Bronze, Gold Flash Over Nickel
  - \* Screw torsion value range: 1.5~2kgf-cm
  - \* Temperature Range: -40°C to 105°C
  - \* All Parts Should Meet RoHS Compliant.

UNIT: mm		TITLE RJ45 ODVA, PANEL, DOUBLE LOCK			<h1>Amphenol LTW</h1> <p>安費諾亮泰企業股份有限公司</p>	ITEM NO	DRAWN BY	DATE
		SCALE 1:1	SIZE A4	SHEET 1 OF 1		ROP-5SRFFH-TSM7001	Feng_Li	2016-07-23
TOLERANCE		REV.	WC-REV.	Inspection item	DWG NO	CHECKED BY	DATE	
ANGLES		D	B.4		ROP-5SRFFH-TSM7001	Jinhai	2016-07-23	
					CUSTOMER	APPROVED BY	DATE	
					ALTW	Jerry	2016-07-23	