



Chipsmall Limited consists of a professional team with an average of over 10 year of expertise in the distribution of electronic components. Based in Hongkong, we have already established firm and mutual-benefit business relationships with customers from,Europe,America and south Asia,supplying obsolete and hard-to-find components to meet their specific needs.

With the principle of “Quality Parts,Customers Priority,Honest Operation,and Considerate Service”,our business mainly focus on the distribution of electronic components. Line cards we deal with include Microchip,ALPS,ROHM,Xilinx,Pulse,ON,Everlight and Freescale. Main products comprise IC,Modules,Potentiometer,IC Socket,Relay,Connector.Our parts cover such applications as commercial,industrial, and automotives areas.

We are looking forward to setting up business relationship with you and hope to provide you with the best service and solution. Let us make a better world for our industry!



## Contact us

Tel: +86-755-8981 8866 Fax: +86-755-8427 6832

Email & Skype: info@chipsmall.com Web: www.chipsmall.com

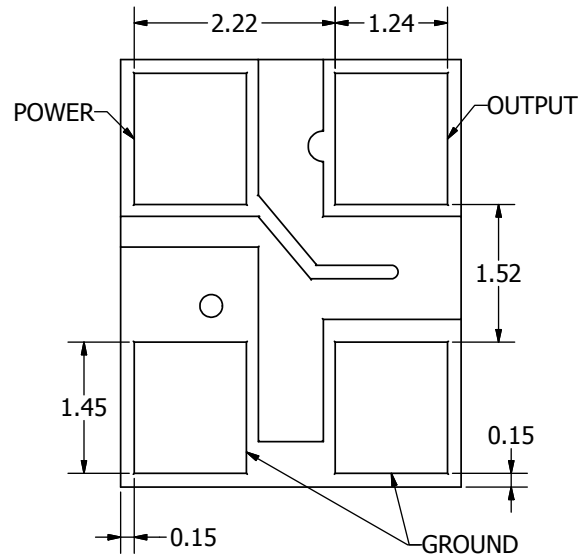
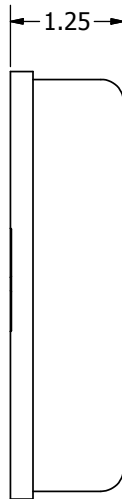
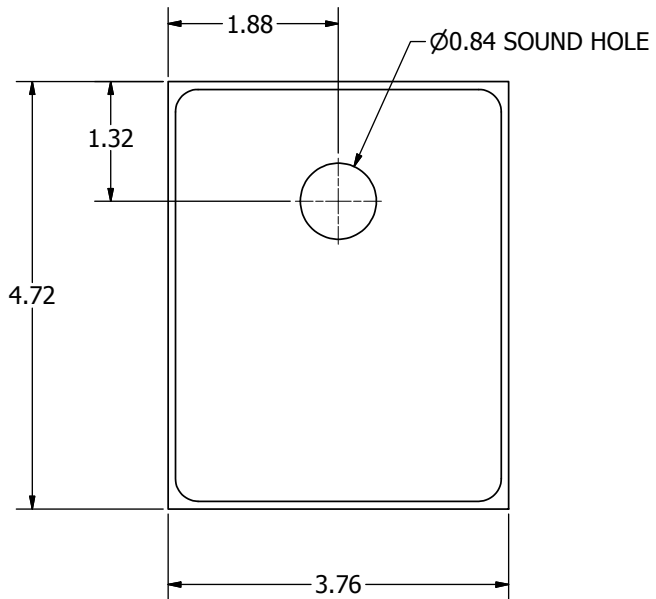
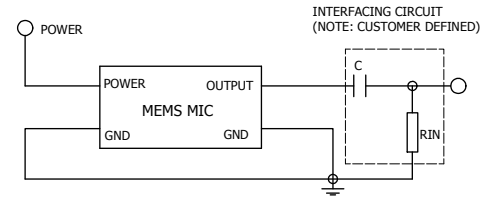
Address: A1208, Overseas Decoration Building, #122 Zhenhua RD., Futian, Shenzhen, China



SPECIFICATIONS		
PARAMETERS	VALUES	UNITS
DIRECTIVITY	OMNI	-
SENSITIVITY	-42 ± 3	dB
STANDARD OPERATING VOLTAGE	2.1	Vdc
MAX OPERATING VOLTAGE	3.6	Vdc
CURRENT CONSUMPTION (MAX)	200	µA
IMPEDANCE (MAX)	100	Ohm
SIGNAL TO NOISE RATIO (MIN.)	55	dB
INTERNAL CAPACITOR	33 & 10	pF
FREQUENCY RANGE	100 ~ 7,000	Hz
OPERATING TEMPERATURE	-40 ~ +100	°C
STORAGE TEMPERATURE	-40 ~ +100	°C

THIS DOCUMENT CONTAINS DATA PROPRIETARY TO PROJECTS UNLIMITED, INC. ANY USE OR REPRODUCTION, IN ANY FORM, WITHOUT PRIOR WRITTEN PERMISSION OF PROJECTS UNLIMITED, INC. IS PROHIBITED.  
©2003, Projects Unlimited Inc.

REVISION HISTORY			
LTR	DESCRIPTION	DATE	APPROVED
-	RELEASED FROM ENGINEERING	2/13/2008	



**NOTES:**

1. ALL DIMENSIONS ARE IN MILLIMETERS.
2. SPECIFICATIONS SUBJECT TO CHANGE OR WITHDRAWAL WITHOUT NOTICE.
3. THIS PART IS RoHS 2002/95/EC COMPLIANT.
4. MAXIMUM OF 120dB INPUT SPL (FOR LESS THAN 0.5% DISTORTION).
5. OUTPUT SIGNAL @ 94dB SPL, 1KHz (-45dB/5.65mV, -40dB/10.04mV).
6. 1dB SENSITIVITY VARIATION OVER OPERATING RANGE (1.5-3.6V).

UNLESS OTHERWISE SPECIFIED: DIMENSIONS ARE IN MILLIMETERS, TOLERANCES ARE ±0.5 AND ANGLES ARE ±3°.	SIZE	Designed by	Date	Checked by	Date	Approved by	Date	Drawn Date
	A3	J.D.	2/13/2008	R.W.	2/14/2008	B.R.	2/14/2008	2/13/2008
	ROSM-1342-C3310-R.idw				<b>ROSM-1342-C3310-R</b>		<b>Microphone</b>	
						Edition		Sheet
						-		1 / 1