



Chipsmall Limited consists of a professional team with an average of over 10 year of expertise in the distribution of electronic components. Based in Hongkong, we have already established firm and mutual-benefit business relationships with customers from,Europe,America and south Asia,supplying obsolete and hard-to-find components to meet their specific needs.

With the principle of “Quality Parts,Customers Priority,Honest Operation,and Considerate Service”,our business mainly focus on the distribution of electronic components. Line cards we deal with include Microchip,ALPS,ROHM,Xilinx,Pulse,ON,Everlight and Freescale. Main products comprise IC,Modules,Potentiometer,IC Socket,Relay,Connector.Our parts cover such applications as commercial,industrial, and automotives areas.

We are looking forward to setting up business relationship with you and hope to provide you with the best service and solution. Let us make a better world for our industry!



Contact us

Tel: +86-755-8981 8866 Fax: +86-755-8427 6832

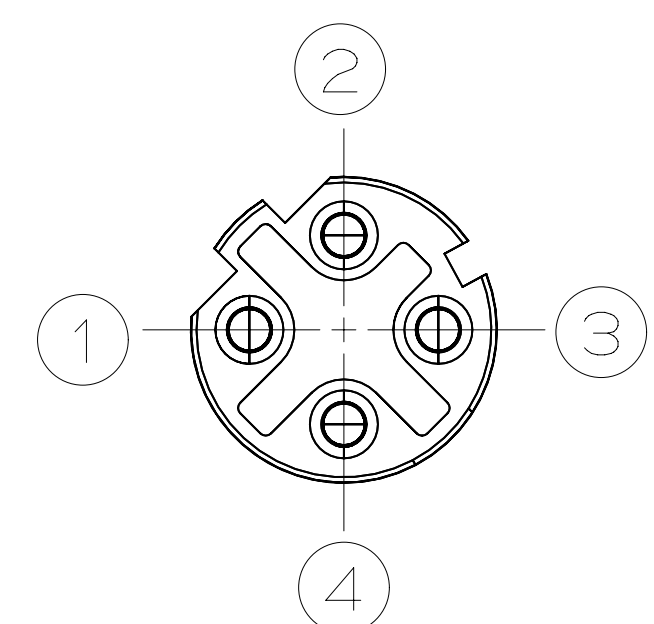
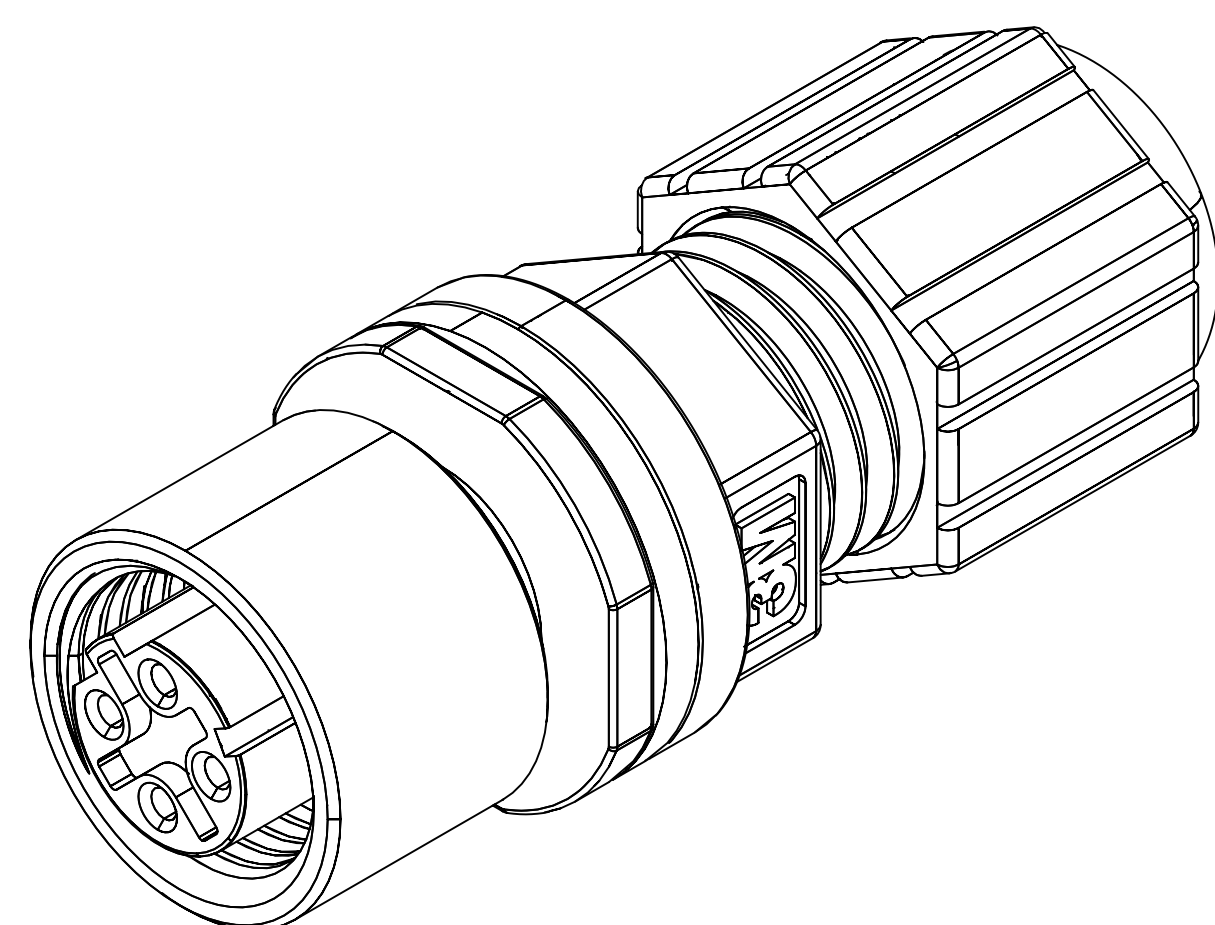
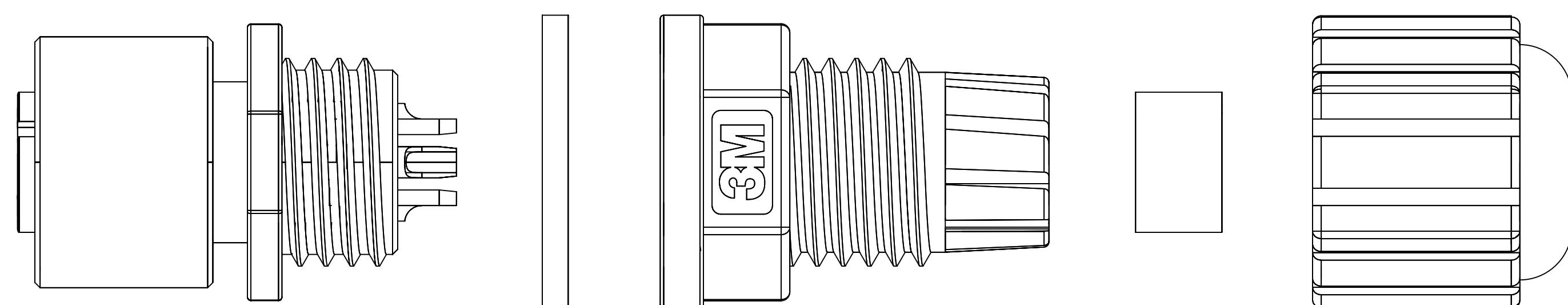
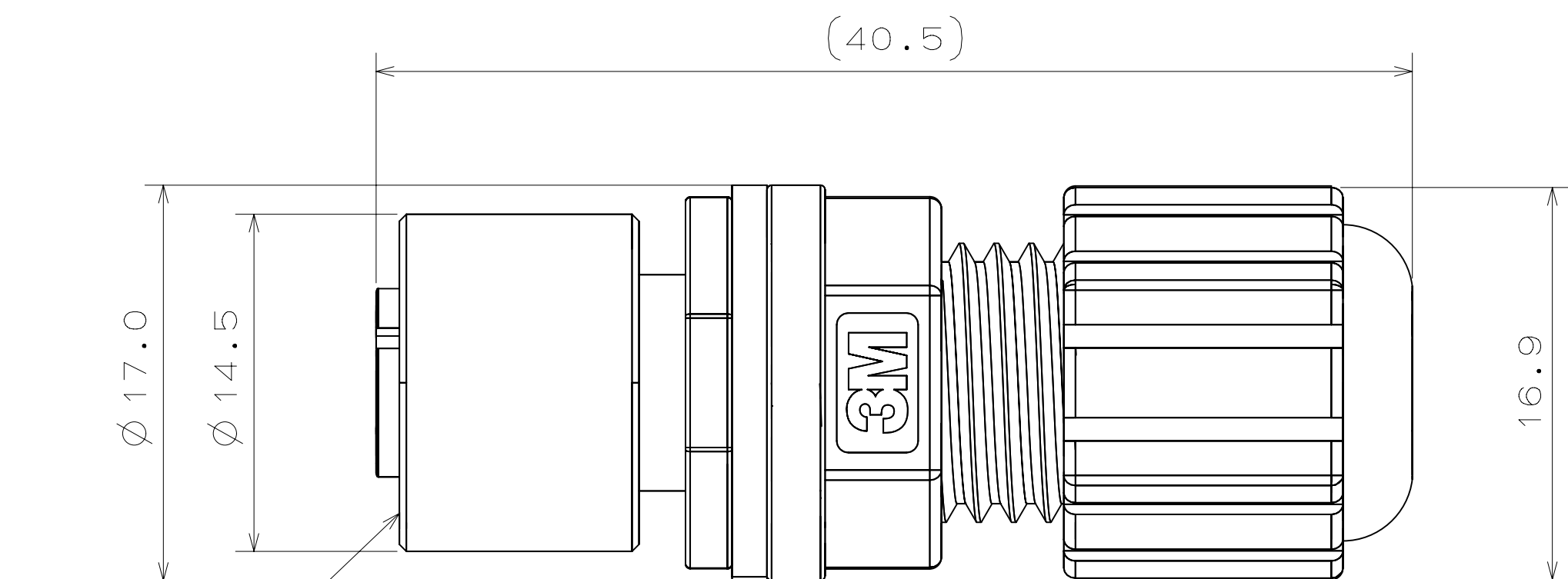
Email & Skype: info@chipsmall.com Web: www.chipsmall.com

Address: A1208, Overseas Decoration Building, #122 Zhenhua RD., Futian, Shenzhen, China



3M™ INDUSTRIAL M12 WM CONNECTOR

FOR 4POS, D-CODE, FEMALE, SOLDER TYPE



Pin Assignment

PERFORMANCE

- 1) MECHANICAL
POLARIZING METHOD: 35N MIN.

CONTACT INSERTION FORCE: 10N/pin MAX.
CONTACT WITHDRAWL FORCE: 15N/pin MAX.

WATERPROOF: IP68 (IN WATER 1mm DEPTH, 24H)
 - 2) ELECTRICAL
CURRENT RATING: 4.0A

VOLTAGE RATING: 250VDC

WITHSTANDING VOLTAGE: 1000VACrms

INSULATION RESISTANCE: 1×10^9 OHMS at 500VDC

CONTACT RESISTANCE:
10 MILLI OHM AT INITIAL CONDITION
DELTA R 15 MILLI OHM MAX. AFTER
EVALUATION TEST BASED ON 78-5102-0151-6
 - 3) ENVIRONMENTAL
TEMPERATURE RATING: -25°C TO 85°C
- NOTE
FOR LOW TEMPERATURE LIMIT:
EXCLUDING CABLE PERFORMANCE NO DEW CONDITION
FOR HIGH TEMPERATURE LIMIT:
INCLUDING TEMPERATURE RAISING BY CURRENT

NOTES

- 1 MATERIAL:
BODY: THERMOPLASTIC, UL 94V0
COVER: THERMOPLASTIC, UL 94V0
GLAND NUT:
THERMOPLASTIC, UL 94V0

CONTACT: COPPER ALLOY
- 2 PLATING
CONTACT AREA: 0.2µm GOLD MIN.
- 3 MATED WITH INDUSTRIAL M12
MALE CONNECTOR
- 4 COMPATIBLE CABLE:

1) WIRE
AWG 20 STRANDED
AWG 24 STRANDED

2) CABLE OUTER DIAMETER
4.0 to 6.5mm
- 5 RoHS COMPLIANT.
SEE THE REGULATORY
INFORMATION APPENDIX (RIA)
IN THE "RoHS COMPLIANCE"
SECTION OF
WWW.3MCONNECTORS.COM FOR
COMPLIANCE INFORMATION
(RIA E1 & C1 APPLY).
- 6 FOR PRODUCT SPECIFICATIONS
AND WARRANTY INFORMATION
SEE 3M 78-5102-0151-6
- 7 IN THE EVENT OF CONFLICT
BETWEEN THIS DATA AND
THAT CONTAINED IN THE
PRODUCT SPECIFICATION,
THE PRODUCT SPECIFICATION
TAKES PRECEDENT.

ORDERING INFORMATION M12 WM CONNECTOR

3N3 04-D000-S08 BF

PRODUCTION SERIES
3N3: INDUSTRIAL M12 WM
FEMALE CONNECTOR

PLATING SUFFIX
BF: CONTACT AREA 0.2µm GOLD

CONTACT QUANTITY
04: 4 PIN

IP CLASS
8: IP68

CODE
D: D CODE

WIRING METHOD
S: SOLDER TYPE

3M™ ELECTRONIC SOLUTIONS DIVISION
INTERCONNECT SOLUTIONS
VISIT <http://www.3mconnectors.com>

3M IS A TRADEMARK OF 3M COMPANY.
FOR TECHNICAL, SALES OR ORDERING INFORMATION
CALL YOUR LOCAL SALES REPRESENTATIVE

DESIGN REFERENCE	NEXT ASSEMBLY	REV	ECO	ISSUE DATE AND DESCRIPTION	DRFT	CHKD
		1		SEP 06, 2012 PRODUCTION RELEASE	T.O	H.K
DIVISION CODES Interconnect Solutions		DATE	DATE	DATE	DATE	DATE
DO NOT SCALE DRAWING		SCALE	TOLERANCES EXCEPT AS NOTED	© 3M COPYRIGHT 2012 This document and the information it contains are 3M property and may not be reproduced or further distributed without 3M permission, or used or disclosed other than for 3M authorized purposes. All rights reserved.		
THIRD ANGLE PROJECTION		INCHES	MILLIMETERS	TITLE INDUSTRIAL M12 WIRE MOUNT, FOR D-CODE, FEMALE, SOLDER TYPE		
INTERPRET PER ASME Y14.5 - 1994		0 ±	0 ±	CAGE NUMBER 78-5100-2558-4		
MAX SURFACE ROUGHNESS SURFACES		0 ±	0 ±	DRAWING NO. 78-5100-2558-4		
MARKED ONLY		0 ±	0 ±	MODEL SHT 1 OF 1		