



Chipsmall Limited consists of a professional team with an average of over 10 year of expertise in the distribution of electronic components. Based in Hongkong, we have already established firm and mutual-benefit business relationships with customers from,Europe,America and south Asia,supplying obsolete and hard-to-find components to meet their specific needs.

With the principle of “Quality Parts,Customers Priority,Honest Operation,and Considerate Service”,our business mainly focus on the distribution of electronic components. Line cards we deal with include Microchip,ALPS,ROHM,Xilinx,Pulse,ON,Everlight and Freescale. Main products comprise IC,Modules,Potentiometer,IC Socket,Relay,Connector.Our parts cover such applications as commercial,industrial, and automotives areas.

We are looking forward to setting up business relationship with you and hope to provide you with the best service and solution. Let us make a better world for our industry!



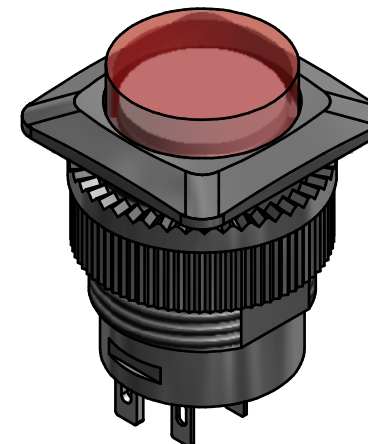
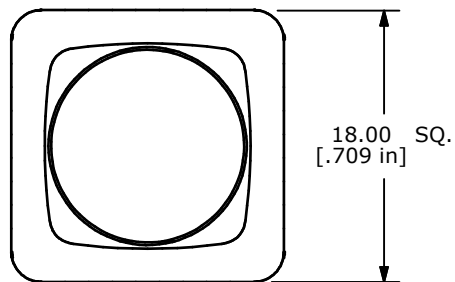
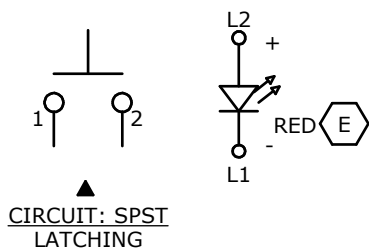
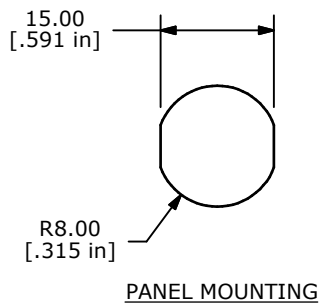
Contact us

Tel: +86-755-8981 8866 Fax: +86-755-8427 6832

Email & Skype: info@chipsmall.com Web: www.chipsmall.com

Address: A1208, Overseas Decoration Building, #122 Zhenhua RD., Futian, Shenzhen, China

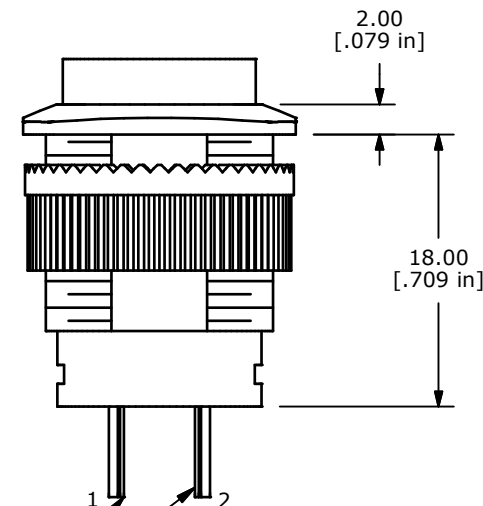
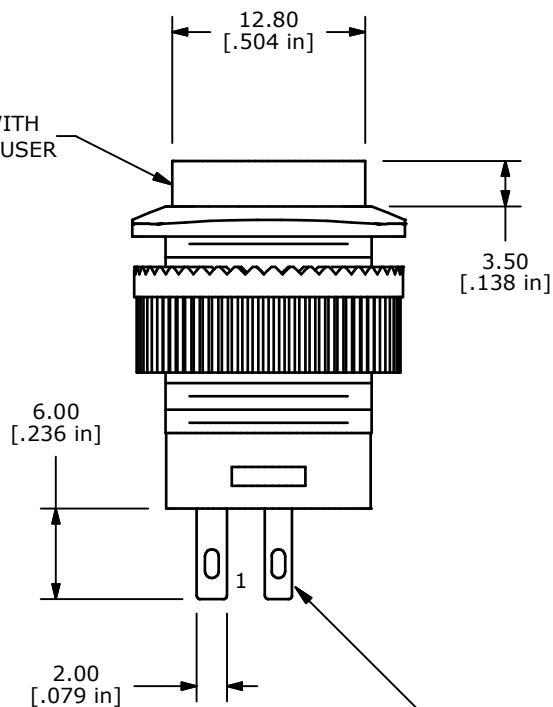




NOTE:

1. ALL DIMENSIONS IN MM [INCH]
2. GENERAL TOLERANCE: X.X=±0.4
X.XX=±0.25
3. TERMINAL NUMBERS FOR REF ONLY
4. CIRCUIT: SPST OFF - ON
- ▲ 5. CONTACT RATING: 3A @ 125VAC, 1.5A @ 250VAC
6. ELECTRICAL LIFE: 6,000 CYCLES AT FULL LOAD MIN.
7. CONTACT RESISTANCE: 50 milli-OHM max. (INITIAL)
8. INSULATION RESISTANCE: 100 MEGA-OHM min. @ 500VDC.
9. DIELECTRIC STRENGTH: 1,500VAC FOR 1 MINUTE.
- ▲ 10. LED: RED
11. OPERATING TEMPERATURE: -0°C TO +65°C.
12. PANEL THICKNESS RANGE: 7.0 mm MAX.
13. ▲ DENOTES CRITICAL PARAMETER.
14. 2002/95/EC (ROHS) COMPLIANT
15. HARDWARE INCLUDED: Mounting Nut

▲
RED CAP WITH
WHITE DIFFUSER



LED TERMINALS

▲ LED SPECS	UNITS	RED
FORWARD CURRENT	mA	20
FORWARD VOLTAGE	V	1.8-2.4
LUMINOUS INTENSITY	MCD	20



E	21029	RED WAS BLUE	2/13/13	EBP
D	19613	DRAWING UPDATE	1/20/11	BGL
REV	PCR NO	DESCRIPTION	DATE	BY

TITLE RP3508BBLKREDREDNS				
SCALE	DATE	DR	DWG	REV
2 : 1	1/21/2011	BGL	F130412	E

THE INFORMATION CONTAINED IN THIS DOCUMENT IS PROPRIETARY TO E-SWITCH AND IS NOT TO BE COPIED OR TRANSFERRED