



Chipsmall Limited consists of a professional team with an average of over 10 year of expertise in the distribution of electronic components. Based in Hongkong, we have already established firm and mutual-benefit business relationships with customers from,Europe,America and south Asia,supplying obsolete and hard-to-find components to meet their specific needs.

With the principle of “Quality Parts,Customers Priority,Honest Operation,and Considerate Service”,our business mainly focus on the distribution of electronic components. Line cards we deal with include Microchip,ALPS,ROHM,Xilinx,Pulse,ON,Everlight and Freescale. Main products comprise IC,Modules,Potentiometer,IC Socket,Relay,Connector.Our parts cover such applications as commercial,industrial, and automotives areas.

We are looking forward to setting up business relationship with you and hope to provide you with the best service and solution. Let us make a better world for our industry!



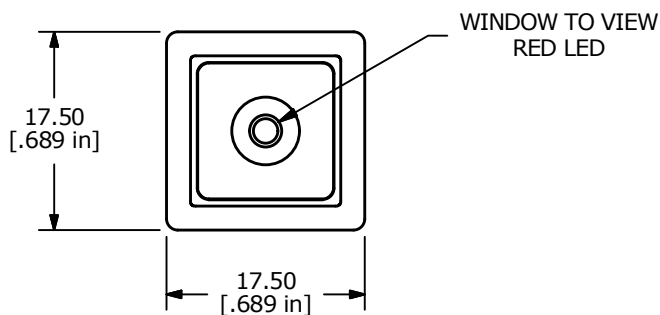
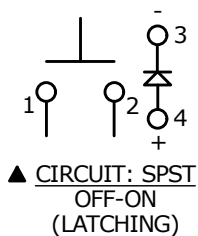
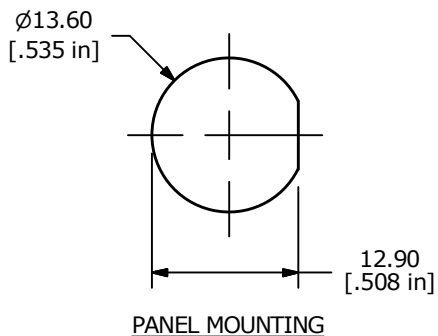
## Contact us

Tel: +86-755-8981 8866 Fax: +86-755-8427 6832

Email & Skype: info@chipsmall.com Web: www.chipsmall.com

Address: A1208, Overseas Decoration Building, #122 Zhenhua RD., Futian, Shenzhen, China

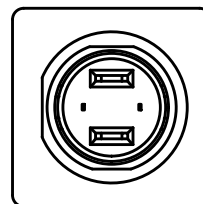
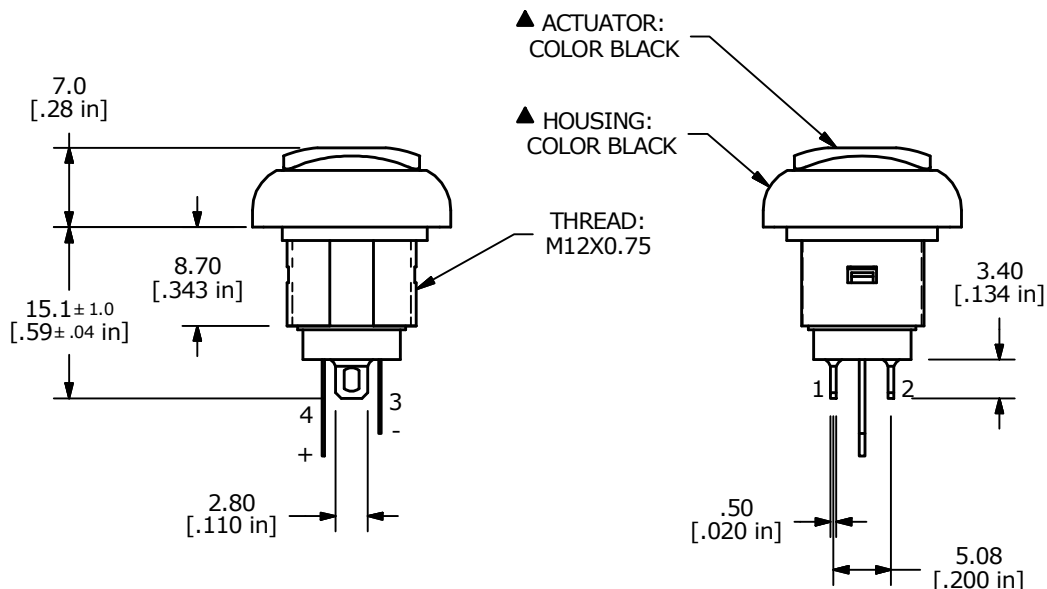




LED PARAMETER	FORWARD CURRENT	FORWARD VOLTAGE @ 20mA	LUMINOUS INTENSITY
UNITS	mA	V	mcd
RED	20	2.0 - 2.5	700

NOTE:

1. ALL DIMENSIONS IN MM [INCH]
2. GENERAL TOLERANCE: X.X=±0.4  
X.XX=±0.25
3. TERMINAL NUMBERS FOR REF ONLY
4. CIRCUIT: SPST OFF-MOMENTARY ON
5. CONTACT MATERIAL: Gold OVER SILVER
6. RATING: 500mA @ 48 VAC  
200mA @ 50 VDC  
200mA @ 250 VAC
7. ELECTRIC LIFE: 500,000 CYCLES AT FULL LOAD
8. CONTACT RESISTANCE: 50 MILLIOHM MAX. (INITIAL)
9. INSULATION RESISTANCE: 1,000 MEGA-OHM MIN. @ 500VDC.
10. DIELECTRIC STRENGTH: 1,500 VAC FOR 1 MINUTE.
11. OPERATING FORCE: 350 gf +/- 150 gf
12. OPERATING TEMPERATURE: -30°C TO +85°C.
13. CONTACT BOUNCE: 10ms MAX.
14. TRAVEL: 1.5±0.25MM
15. PANEL THICKNESS RANGE: 1.5 - 4.0 mm.
16. ▲ DENOTES CRITICAL PARAMETER.
17. 2011/65/EU (ROHS) COMPLIANT
18. MAX TORQUE APPLIED TO MOUNTING NUT: 1.5Nm
19. HARDWARE INCLUDED:
  1. T081101 LOCK WASHER (1)
  2. T081102 HEX NUT (1)
  3. T081103 O-RING (1)
20. SEAL RATING: IP67 AT THE FRONT PANEL



E	22535	UPDATED LED SPECIFICATION CHART	10/6/16	MJR
D	21600	CHANGE SEAL RATING FROM IP65 TO IP67	10/1/14	EBP
REV	PCR NO	DESCRIPTION	DATE	BY

<b>E-SWITCH®</b>				
TITLE <b>RP8400B2M1CEBLKBLKRED</b>				
SCALE	DATE	DR	DWG	REV
3:2	5/4/2011	BMA	ST084003	E

THE INFORMATION CONTAINED IN THIS DOCUMENT IS PROPRIETARY TO E-SWITCH AND IS NOT TO BE COPIED OR TRANSFERRED