



Chipsmall Limited consists of a professional team with an average of over 10 year of expertise in the distribution of electronic components. Based in Hongkong, we have already established firm and mutual-benefit business relationships with customers from,Europe,America and south Asia,supplying obsolete and hard-to-find components to meet their specific needs.

With the principle of “Quality Parts,Customers Priority,Honest Operation,and Considerate Service”,our business mainly focus on the distribution of electronic components. Line cards we deal with include Microchip,ALPS,ROHM,Xilinx,Pulse,ON,Everlight and Freescale. Main products comprise IC,Modules,Potentiometer,IC Socket,Relay,Connector.Our parts cover such applications as commercial,industrial, and automotives areas.

We are looking forward to setting up business relationship with you and hope to provide you with the best service and solution. Let us make a better world for our industry!



Contact us

Tel: +86-755-8981 8866 Fax: +86-755-8427 6832

Email & Skype: info@chipsmall.com Web: www.chipsmall.com

Address: A1208, Overseas Decoration Building, #122 Zhenhua RD., Futian, Shenzhen, China



IrDA Infrared communication Module

RPM872-H12

RPM872-H12 is an infrared communication module for IrDA Ver. 1.2 (Low Power). The infrared LED, PIN photo diode, LSI are all integrated into a single package. This module is designed with power down function and low current consumption at stand-by mode. The ultra small package makes it a perfect fit for mobile devices.

●Features

- 1) Infrared LED, PIN photo diode, LED driver & Receiver frequency formation circuit built in. Improvement of EMI noise protection because of Shield Case.
- 2) Applied to SIR (2.4 to 115.2kbps)
- 3) Surface mount type.
- 4) Power down function built in.
- 5) Low voltage operation as 1.5V of interface terminals to controller (TXD, RXD, Power down).

●Applications

Mobile phone, PDA, DVC, Digital Still Camera, Printer, Handy Terminal etc.

●Absolute maximum ratings (Ta=25°C)

Parameter	Symbol	Limits	Unit
Supply voltage	V _{max}	7.0*1	V
Input voltage	V _{in} (5, 6, 7pin)	-0.3 to V _{IO} +0.3	V
Operation temperature	T _{opr}	-30 to +85	°C
Storage temperature	T _{stg}	-30 to +100	°C
Power dissipation	P _d	100*2	mW

*1 This applies to all pins basis ground pins (1.4pin)

*2 In case operating environment is over 25°C, 1.33mW would be reduced per each 1°C stepping up.

●Recommended operating conditions (Ta=25°C)

Parameter	Symbol	Min.	Typ.	Max.	Unit
Supply voltage	V _{CC}	2.0	3.0	3.6	V
	V _{LEDA}	2.6	3.0	5.5	V
	V _{IO}	1.5	3.0	V _{CC}	V

Photo Link Module

●Block diagram and application circuit

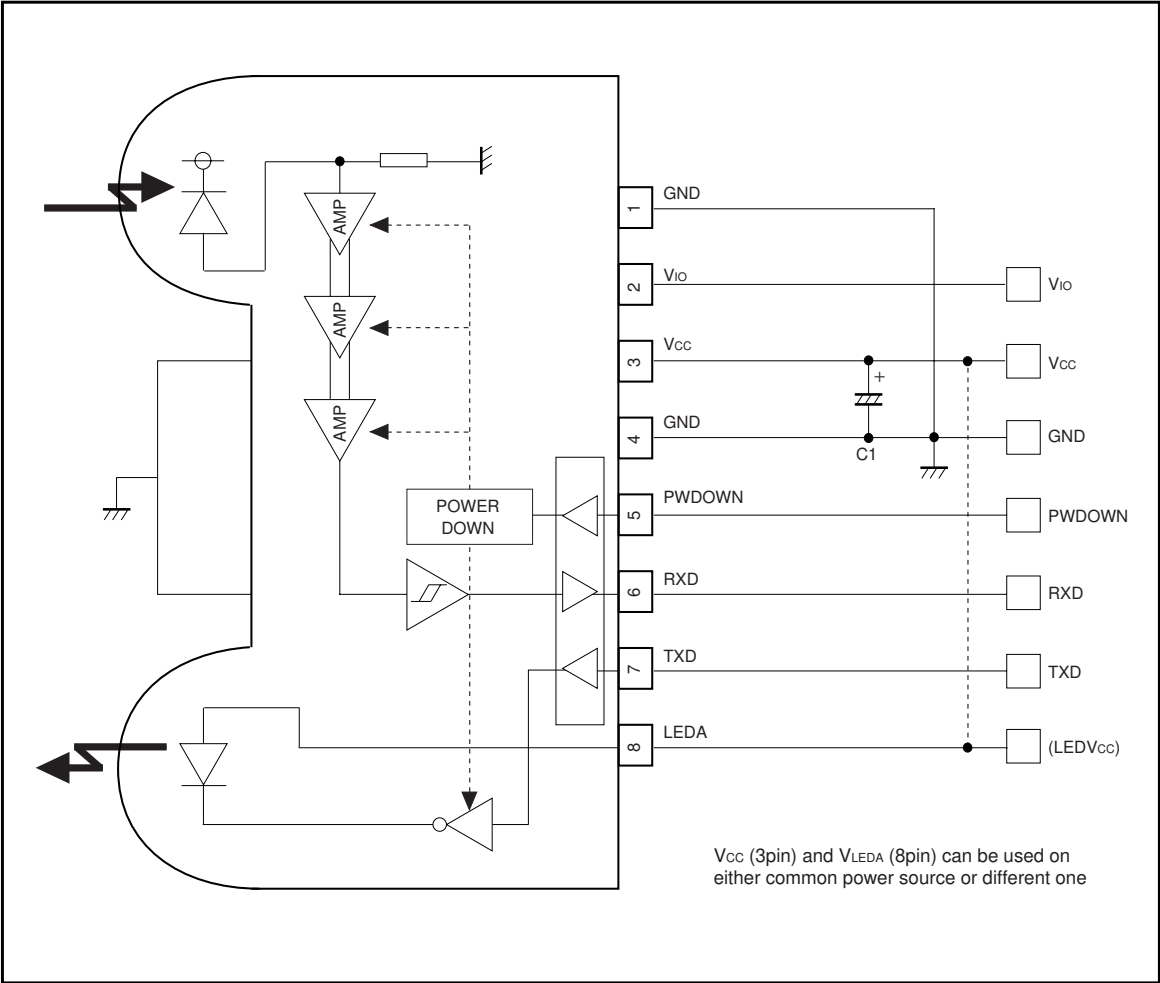


Photo Link Module

●Terminal description

Pin No	Terminal	Circuit	Function
1, 4	GND		GND Pin1 and Pin4 must be connected to the ground.
2	V _{IO}		V_{IO} Supply voltage for I/O pins. (PDOWN, RXD, TXD)
3	V _{CC}		V_{CC} Supply voltage for Transceiver circuits. For preventing from infection, connect a capacitor between V _{CC} (3pin) and GND (4pin).
5	PDOWN		Power-down Control Terminal H : POWERDOWN L : OPERATION CMOS Logic Level Input When input is H, it will stop the receiving circuit, Pin-PD current and transmitting LED operation.
6	RXD		Receiving Data Output Terminal CMOS Logic Level Input When PDOWN (5pin)=H, the RXD output will be pulled up to V _{IO} at approximately 300kΩ.
7	TXD		Transmitting Data Input Terminal H : LED (PDOWN=L) CMOS Logic Level Output Holding TXD="H" status, LED will be turn off approximately 48μs.
8	LEDA		LED ANODE Terminal Other power source can be used difference between LEDV _{CC} and V _{CC} . This can be connected to battery kinds of unregulated constant source by internal constant current driver.
-	Shield Case		Connect to Ground.

Photo Link Module

●Electrical characteristics (Unless otherwise noted, $V_{CC}=3V$, $V_{LEDA}=3V$, $V_{IO}=3V$, $T_a=25^{\circ}C$)

Parameter	Symbol	Min.	Typ.	Max.	Unit	Conditions
Consumption current1	I _{cc1}	–	75	99	μA	PWDOWN=0V At no input light
Consumption current2	I _{cc2}	–	0.01	0.2	μA	PWDOWN=V _{IO} At no input light
Transmission rate		2.4	–	115.2	kbps	
PDOWN input high voltage	VPDH	$\frac{2}{3} \times V_{IO}$	–	V _{IO}	V	V _{IO} =1.8 to 3.6 [V]
		1.2				V _{IO} =1.5 to 1.8 [V]
PDOWN input low voltage	VPDL	0	–	$\frac{1}{3} \times V_{IO}$	V	V _{IO} =1.8 to 3.6 [V]
				V _{IO} –1.2		V _{IO} =1.5 to 1.8 [V]
PDOWN input high current	IPDH	–1.0	0	1.0	μA	PWDOWN=V _{IO} [V]
PDOWN input low current	IPDL	–1.0	0	1.0	μA	PWDOWN=0 [V]
<Transmitter>						
TXD input high voltage	VTXH	$\frac{2}{3} \times V_{IO}$	–	–	V	V _{IO} =1.8 to 3.6 [V]
		1.2				V _{IO} =1.5 to 1.8 [V]
TXD input low voltage	VTXL	0	–	$\frac{1}{3} \times V_{IO}$	V	V _{IO} =1.8 to 3.6 [V]
				V _{IO} –1.2		V _{IO} =1.5 to 1.8 [V]
TXD input high current	ITXH	2.5	5	10	μA	TXD=V _{IO} [V]
TXD input low current	ITXL	–1.0	0	1.0	μA	TXD=0 [V]
LED anode current	ILEDA	–	30.5	–	mA	
<Receiver>						
RXD output high voltage	VRXH	V _{IO} –0.4	–	V _{IO}	V	IRXH=–200μA
RXD output low voltage	VRXL	0	–	0.4	V	IRXL=200μA
RXD output rise time	t _{RR}	–	35	–	ns	C _L =15pF
RXD output fall time	t _{FR}	–	35	–	ns	C _L =15pF
RXD output pulse width	t _{wRXD}	1.5	2.3	4.2	μs	C _L =15pF, 2.4 to 115.2kbps
Receiver latency time	t _{RT}	–	100	200	μs	

●Optical characteristics (Unless otherwise noted, $V_{CC}=3V$, $V_{LEDA}=3V$, $V_{IO}=3V$, $T_a=25^{\circ}C$)

Parameter	Symbol	Min.	Typ.	Max.	Unit	Conditions
Peak wave length	λ _P	850	870	900	nm	
Intensity1	IE1	4.0	10	26	mW/Sr	–15°≤θ _L ≤15°
Half-angle	θ _L /2	–	±18	±30	deg	
Optical pulse width	T _{WLED}	1.42	1.63	2.02	μs	TXD=1.63μs pulse input
Rise time / Fall time	T _r /T _f	–	–	100	ns	10% to 90%
Optical over shoot		–	–	25	%	
Edge jitter	T _j	–40	–	40	ns	
Irradiance in angular	E _e	0.0068	–	500	mW/cm ²	–15deg ≤ θ _L ≤ +15deg
Input half-angle	θ _D /2	±15	–	–	deg	
Maximum emitting time	T _{LEDmax}	10	48	120	μs	TXD=V _{IO}

1. This product is not designed for protection against radioactive rays.

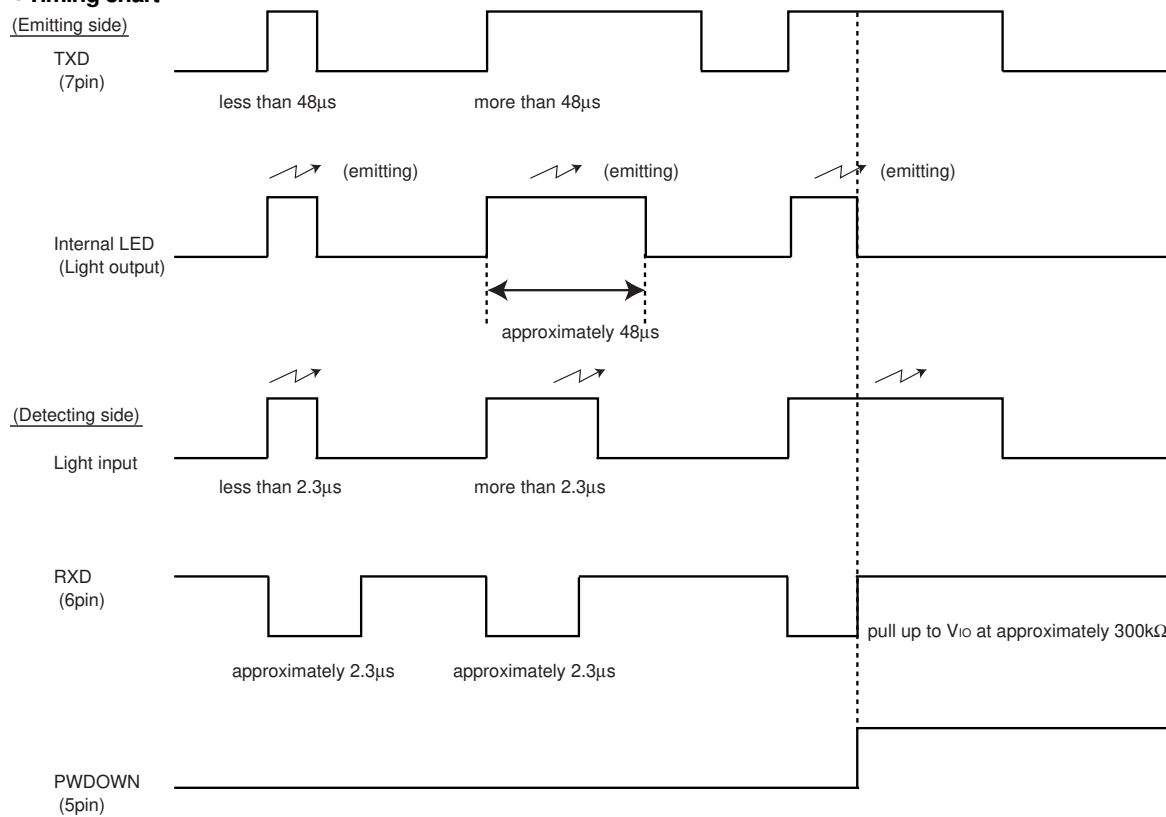
2. This product dose not include laser transmitter.

3. This product includes one PIN photo diode.

4. This product dose not include optical load.

Photo Link Module

●Timing chart



●Attached components

Recommended values

Part symbol	Recommended value	Notice
C1	1 μF , tantalum or ceramic Ex.) TCFGA1A105M8R (ROHM)	Bigger capacitance is recommended with much noise from power supply

Photo Link Module

●Notes

1) V_{LEDA} (8pin), V_{CC} (3pin) and V_{IO} (2pin)

- Other power source can be used difference between V_{LEDA} and V_{CC} and V_{IO} .
($V_{IO} < V_{CC} + 0.3V$)

2) Caution in designing board lay-out

To get maximum potential from RPM872-H12, please keep in mind following instruction.

- The line of RXD (6pin) should be connected at backside via through hole close to RPM872-H12 pin lead. Better not to be close to photo diode side (1pin).
⇒ This is to minimize feedback supplied to photo diode from RXD.
- As for C1 between 3-4 pin should be placed close to RPM872-H12.
- Better to be placed more than 1.0cm in radius from photo diode (pin1 side) and also away from the parts which generates noise, such as DC/DC converter.

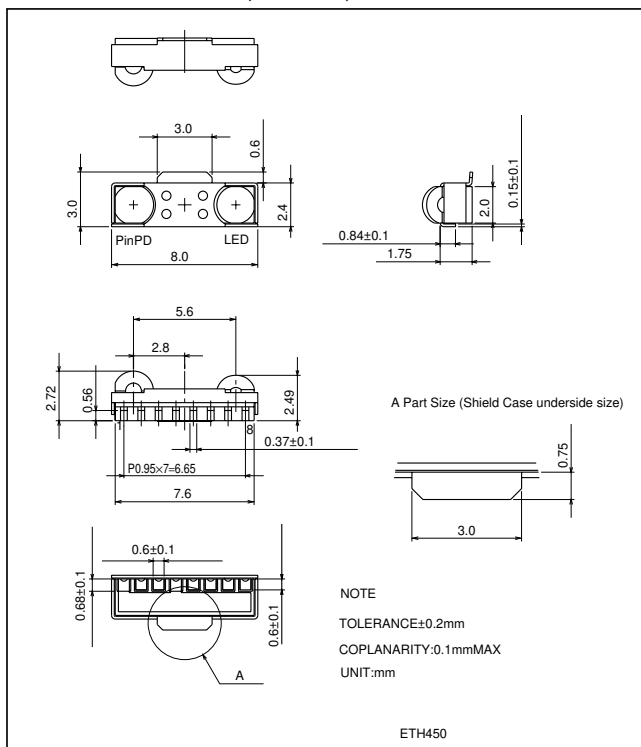
3) Others

- Please be sure to set up the TXD (7pin) input to be "L" (under 0.3V) except transmitting data (for $< 90\mu s$, on duty $< 20\%$).
- Power down current might increase if exposed by strong light (ex. direct sunlight) at powerdown mode.
- Please use by the signal format which is specified by IrDA Ver1.2 (Low Power).
- There might be on error if used by different signal format.
- Please pay attention to the lens carefully. Dusts of scratch on the lens may effect the characteristics of product.
Please handle it with care.

4) Eye safe

- IEC825-1 (EN60825-1) Class 1 Eye Safe.

●External dimensions (Unit : mm)



Notes

- No technical content pages of this document may be reproduced in any form or transmitted by any means without prior permission of ROHM CO.,LTD.
- The contents described herein are subject to change without notice. The specifications for the product described in this document are for reference only. Upon actual use, therefore, please request that specifications to be separately delivered.
- Application circuit diagrams and circuit constants contained herein are shown as examples of standard use and operation. Please pay careful attention to the peripheral conditions when designing circuits and deciding upon circuit constants in the set.
- Any data, including, but not limited to application circuit diagrams information, described herein are intended only as illustrations of such devices and not as the specifications for such devices. ROHM CO.,LTD. disclaims any warranty that any use of such devices shall be free from infringement of any third party's intellectual property rights or other proprietary rights, and further, assumes no liability of whatsoever nature in the event of any such infringement, or arising from or connected with or related to the use of such devices.
- Upon the sale of any such devices, other than for buyer's right to use such devices itself, resell or otherwise dispose of the same, no express or implied right or license to practice or commercially exploit any intellectual property rights or other proprietary rights owned or controlled by
- ROHM CO., LTD. is granted to any such buyer.
- Products listed in this document are no antiradiation design.

The products listed in this document are designed to be used with ordinary electronic equipment or devices (such as audio visual equipment, office-automation equipment, communications devices, electrical appliances and electronic toys).

Should you intend to use these products with equipment or devices which require an extremely high level of reliability and the malfunction of which would directly endanger human life (such as medical instruments, transportation equipment, aerospace machinery, nuclear-reactor controllers, fuel controllers and other safety devices), please be sure to consult with our sales representative in advance.

About Export Control Order in Japan

Products described herein are the objects of controlled goods in Annex 1 (Item 16) of Export Trade Control Order in Japan.

In case of export from Japan, please confirm if it applies to "objective" criteria or an "informed" (by MITI clause) on the basis of "catch all controls for Non-Proliferation of Weapons of Mass Destruction.

