



Chipsmall Limited consists of a professional team with an average of over 10 year of expertise in the distribution of electronic components. Based in Hongkong, we have already established firm and mutual-benefit business relationships with customers from,Europe,America and south Asia,supplying obsolete and hard-to-find components to meet their specific needs.

With the principle of "Quality Parts,Customers Priority,Honest Operation,and Considerate Service",our business mainly focus on the distribution of electronic components. Line cards we deal with include Microchip,ALPS,ROHM,Xilinx,Pulse,ON,Everlight and Freescale. Main products comprise IC,Modules,Potentiometer,IC Socket,Relay,Connector.Our parts cover such applications as commercial,industrial, and automotives areas.

We are looking forward to setting up business relationship with you and hope to provide you with the best service and solution. Let us make a better world for our industry!



Contact us

Tel: +86-755-8981 8866 Fax: +86-755-8427 6832

Email & Skype: info@chipsmall.com Web: www.chipsmall.com

Address: A1208, Overseas Decoration Building, #122 Zhenhua RD., Futian, Shenzhen, China





10W Medical Grade Adapter with Interchangeable Plugs*



*Plugs sold separately

Features

- Meets DoE Level VI and CoC V Tier 2
- Field Changeable AC Plugs
- IEC60601-1:2005+a:2012 2xMOPP approved
- IEC60601-1-2 Ed4 2014 compliant
- Meets type BF requirements
- LPS compliant
- OVP, OCP, SCP, OTP, brown-in and brown-out protections

Applications

- Home healthcare equipment
- Patient monitor
- Blood pressure system
- Portable medical devices
- ECG machine
- Respirator
- Beauty care electronics

Safety Approvals

- UL 60601-1
- IEC 60601-1

Mechanical Characteristics

- Length: 50mm (1.97in)
- Width: 71.7mm (2.82in)
- Height: 40mm (1.57in)

Output Specifications

| Model | DC Output Voltage | Load | | Ripple ⁽¹⁾ P-P (max.) | Regulation Line & Load | Efficiency Level | Case Color |
|--------------|-------------------|------|------|----------------------------------|------------------------|------------------|------------|
| | | Min. | Max. | | | | |
| PMA10R-050AW | 5V | 0A | 2A | 100mV | ±5% | VI | White |

(1) Test by 20Mhz bandwidth mode hi resolution with 10uF and 0.1uF capacitor

Input:**AC Input Voltage Rating**

115 to 230V AC

AC Input Voltage Range

90 to 264V AC

AC Input Frequency

47 to 63Hz

Input Current

0.3A max at 100VAC

Leakage Current

<100uA at 264VAC/50Hz

Inrush Current

60A maximum at 240V AC

(Cold start & at input rated voltage +/-10%)

Output:**Efficiency**

DOE Level VI and CoC V5 tier 2

Environmental:**Temperature**

| | |
|-------------------|----------------|
| Operation | 5°C to +40°C |
| Non-operation | -25°C to +70°C |
| Relative Humidity | 93% RH Max |

Emissions

FCC Class B

EN55022 Class B

Immunity

| | |
|---------------------------------|--------------|
| ESD: | EN 61000-4-2 |
| RS : | EN61000-4-3 |
| EFT/Burst : | EN61000-4-4 |
| Surge: | EN 61000-4-5 |
| CS : | EN61000-4-6 |
| Power Frequency Magnetic Field: | EN61000-4-8 |
| Voltage Dips : | EN61000-4-11 |

Over-Voltage Protection

9V maximum

Short-Circuit Protection

The power supply shall be protected when operating any output in overload condition, or when operating any output in a short. The power supply shall be self-recovering when the fault condition is removed circuit condition.

Over-Current Protection

The power supply will be protected when output power at 2.3A(RMS) of all rated dc output

Over-Temperature Protection

Over-temperature protection sensor

Dielectric Withstand (Hi-pot) Test

Pri. to Sec. >4000VAC 10mA for 1 Minute

DC Output Connector

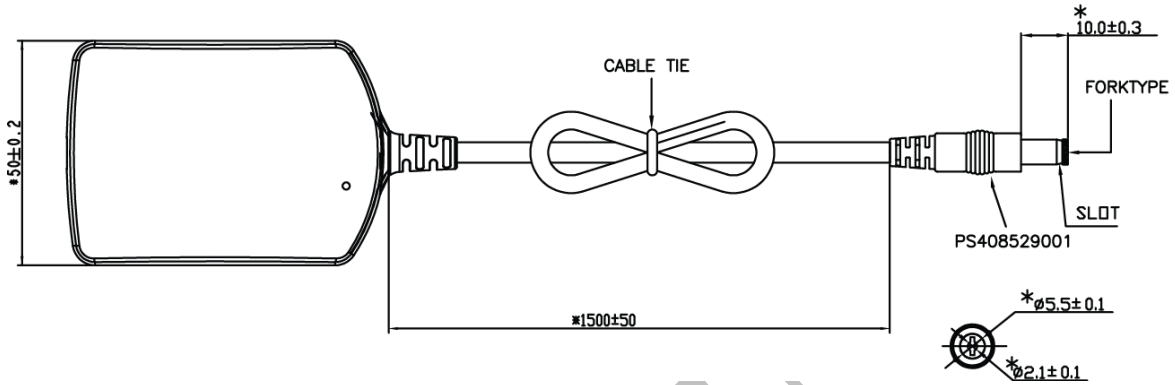
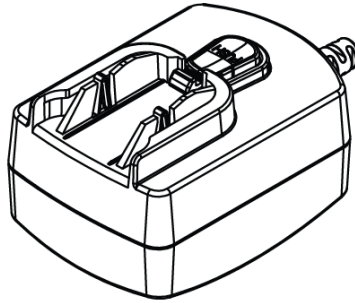
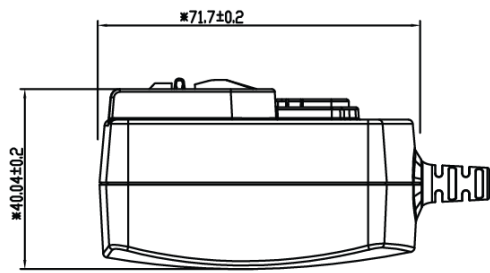
DC plug type 5.5 x 2.1 x 10mm (fork & groove)

DC plug pin assignment: Inner (+V), Outer GND(-)

Medical AC Input Clips (sold separately)

| Part no: | Description: |
|-----------------|---------------------|
| RPA-MAB1W | US – white |
| RPB- MAB1W | Brazil – white |
| RPE- MAB1W | Euro – white |
| RPH- MAB1W | Korea – white |
| RPK- MAB1W | UK – white |
| RPN-MAT1W | Argentina – white |
| RPS- MAB1W | AU – white |

Dimension Diagram Unit: mm (inch)



PRELIMINARY