



Chipsmall Limited consists of a professional team with an average of over 10 year of expertise in the distribution of electronic components. Based in Hongkong, we have already established firm and mutual-benefit business relationships with customers from,Europe,America and south Asia,supplying obsolete and hard-to-find components to meet their specific needs.

With the principle of “Quality Parts,Customers Priority,Honest Operation,and Considerate Service”,our business mainly focus on the distribution of electronic components. Line cards we deal with include Microchip,ALPS,ROHM,Xilinx,Pulse,ON,Everlight and Freescale. Main products comprise IC,Modules,Potentiometer,IC Socket,Relay,Connector.Our parts cover such applications as commercial,industrial, and automotives areas.

We are looking forward to setting up business relationship with you and hope to provide you with the best service and solution. Let us make a better world for our industry!



Contact us

Tel: +86-755-8981 8866 Fax: +86-755-8427 6832

Email & Skype: info@chipsmall.com Web: www.chipsmall.com

Address: A1208, Overseas Decoration Building, #122 Zhenhua RD., Futian, Shenzhen, China



PART NAME

OPEN RELAY RACK

PART No.

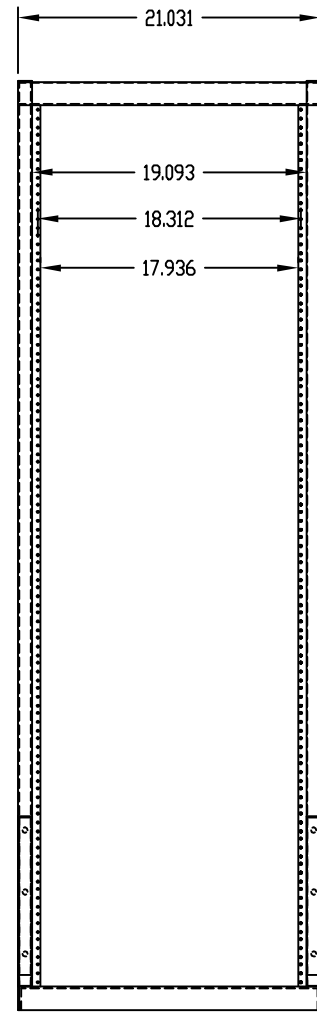
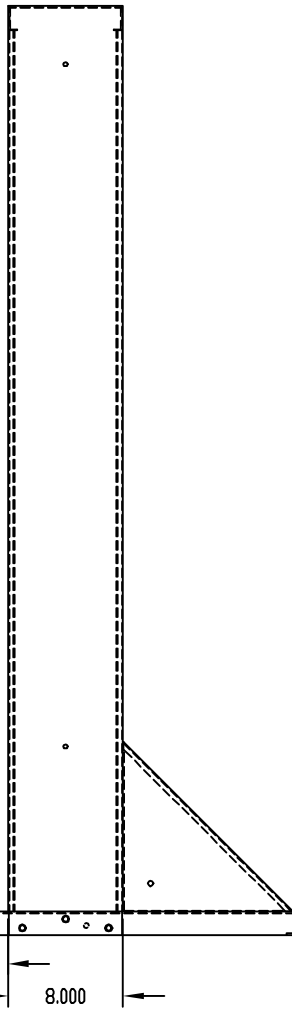
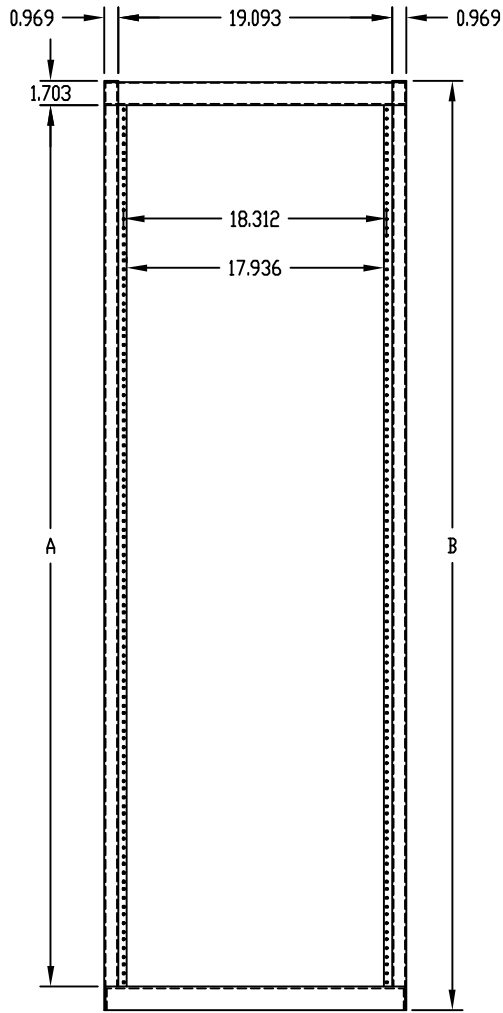
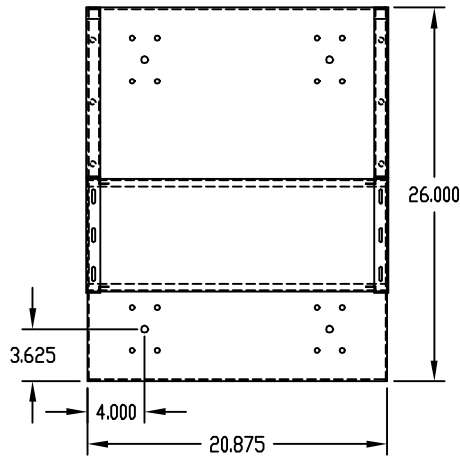
RR-1367 TO RR-1369

MATERIAL:

BASE _____ 12 GA. STEEL
 SUPPORT ANGLE & RAIL ASSEMBLY _____ 14 GA. STEEL

FINISH: METALLIC GRAY OR
 BLACK TEXTURED

PANEL MOUNTING FLANGES RECESSED 3/8 IN. AND
 TAPPED #10-32 ON E.I.A. UNIVERSAL SPACING.
 MOUNTING HOLES PIERCED IN BASE FOR #RC-7758 CASTERS.
 UNIT SHIPPED UNASSEMBLED.



PART No.	A	B
RR-1367	61.375	64.703
RR-1368	70.125	73.453
RR-1369	77.125	80.453