



Chipsmall Limited consists of a professional team with an average of over 10 year of expertise in the distribution of electronic components. Based in Hongkong, we have already established firm and mutual-benefit business relationships with customers from,Europe,America and south Asia,supplying obsolete and hard-to-find components to meet their specific needs.

With the principle of "Quality Parts,Customers Priority,Honest Operation,and Considerate Service",our business mainly focus on the distribution of electronic components. Line cards we deal with include Microchip,ALPS,ROHM,Xilinx,Pulse,ON,Everlight and Freescale. Main products comprise IC,Modules,Potentiometer,IC Socket,Relay,Connector.Our parts cover such applications as commercial,industrial, and automotives areas.

We are looking forward to setting up business relationship with you and hope to provide you with the best service and solution. Let us make a better world for our industry!



## Contact us

Tel: +86-755-8981 8866 Fax: +86-755-8427 6832

Email & Skype: info@chipsmall.com Web: www.chipsmall.com

Address: A1208, Overseas Decoration Building, #122 Zhenhua RD., Futian, Shenzhen, China



## 1 Description

The RedRock™ RR121 Series is a magnetic sensor with digital push-pull output ideal for use in medical, industrial, automotive, and consumer applications. Based on patented Tunneling Magnetoresistance (TMR) technology with seamless CMOS integration, the RR121 offers multiple configurations of several parameters to enable applications like proximity sensing, rotary sensing, and level detection.

The RR121 features available operate sensitivities from 9 G (0.9 mT) to 70 G (7 mT), and either omnipolar, unipolar, or bipolar magnetic field response. It has the world's lowest average current drain (200 nA) for an active magnetic sensor, as well as operating frequencies up to 10 kHz and high operating temperature ranges from -40°C up to 125°C.

### Device Information

Part Series	Package	Body Size (mm)
RR121	SOT-23-3	2.9 x 1.6 x 1.2
	LGA-4	1.4 x 1.4 x 0.45

### Device Packages



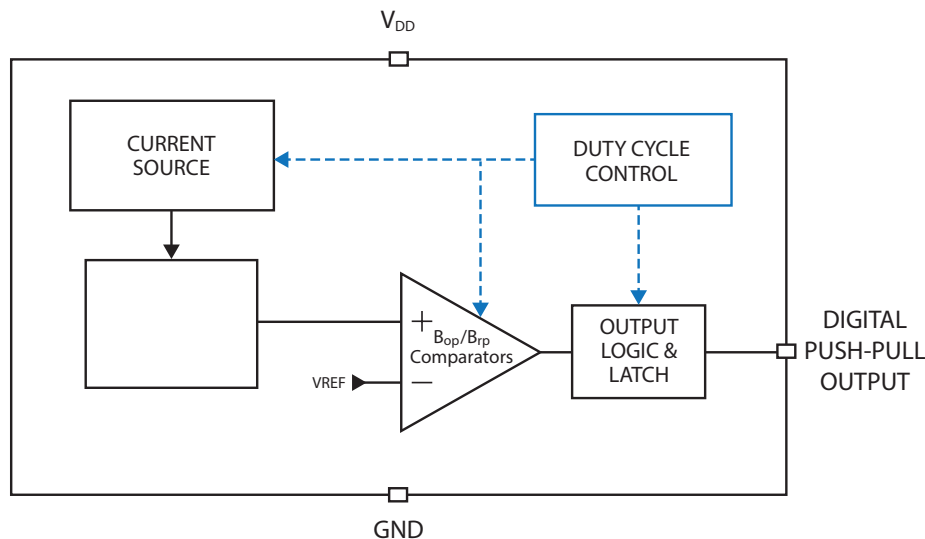
## 2 Features

- ▶ Operate sensitivity from 9 G to 70 G
- ▶ Lowest Average Current < 200 nA
- ▶ Omnipolar and Bipolar Latching Responses Available
- ▶ Operating Frequencies up to 10 kHz
- ▶ Temperature Rated up to 125°C
- ▶ RoHS & REACH Compliant

## 3 Applications

- ▶ Proximity Detection
- ▶ Rotary Sensing
- ▶ Fluid Level Detection
- ▶ Door & Lid Closure Detection
- ▶ Utility Meters
- ▶ Portable Medical Devices
- ▶ Motor Controllers
- ▶ Consumer Electronics
- ▶ Wake-Up  $\mu$ Processor

### Functional Block Diagram



**Table of Contents**

1. Description.....	1	17.3 B <sub>OPN</sub> (Orange) and B <sub>OPS</sub> (Green) vs. Operating Temperature at V <sub>DD</sub> =3.0 V .....	13
2. Features .....	1	17.4 B <sub>OPN</sub> (Red) and B <sub>OPS</sub> (Blue) vs. Supply Voltage at +25°C .....	13
3. Applications .....	1	18. Operate & Release Lobe Plots .....	13
4. Specifications for all RR121 Series Sensors .....	3	18.1 RR121-1B53-311 .....	13
4.1 Absolute Environmental Ratings for all RR121 Series Sensors..	3	19. Operating Characteristics for RR121-3C63-311 .....	14
4.2 Absolute Electrical Ratings for all RR121 Series Sensors .....	3	20. Graphs - Typical Characteristics for RR121-3C63-311 .....	14
4.3 Operating Electrical Characteristics for all RR121 Series Sensors .....	3	20.1 Average Supply Current vs. Supply Voltage vs. Temperature .....	14
5. Operating Characteristics for RR121-1B13-311 and RR121-1B13-312 .....	4	20.2 Average Supply Current vs. Temperature vs. Supply Voltage .....	14
6. Graphs - Typical Electrical Characteristics for RR121-1B13-311 and RR121-1B13-312 .....	4	20.3 Sampling Frequency vs. Supply Voltage vs. Temperature ..	14
6.1 Average Supply Current vs. Supply Voltage vs. Temperature .	4	21. Operating Characteristics for RR121-1E73-311 .....	15
6.2 Average Supply Current vs. Temperature vs. Supply Voltage .	4	22. Graphs - Typical Characteristics for RR121-1E73-311 .....	15
6.3 Sampling Frequency vs. Supply Voltage vs. Temperature ....	5	22.1 Average Supply Current vs. Supply Voltage vs. Temperature	15
7. Graphs - Typical Magnetic Characteristics for RR121-1B13-311 and RR121-1B13-312 .....	5	22.2 Average Supply Current vs. Temperature vs. Supply Voltage .....	15
7.1 B <sub>OPN</sub> (Red) and B <sub>OPS</sub> (Blue) vs. Supply Voltage at +25°C .....	5	22.3 Sampling Frequency vs. Supply Voltage vs. Temperature ..	16
7.2 B <sub>RPN</sub> (Red) and B <sub>RPS</sub> (Blue) vs. Supply Voltage at +25°C.....	5	23. Operating Characteristics for RR121-1B93-312 .....	16
7.3 B <sub>OPN</sub> (Orange) and B <sub>OPS</sub> (Green) vs. Operating Temperature at V <sub>DD</sub> =3.0 V .....	6	24. Graphs - Typical Characteristics for RR121-1B93-312 .....	17
7.4 B <sub>OPN</sub> (Red) and B <sub>OPS</sub> (Blue) vs. Supply Voltage at +25°C .....	6	24.1 Sampling Frequency vs. Supply Voltage vs. Temperature ..	17
8. Operate & Release Lobe Plots .....	6	25. Graphs - Typical Magnetic Characteristics for RR121-1B93-311 ..	17
8.1 RR121-1B13-311 .....	6	25.1 B <sub>OPN</sub> (Red) and B <sub>OPS</sub> (Blue) vs. Supply Voltage at +25°C .....	17
8.2 RR121-1B13-312 .....	6	25.2 B <sub>RPN</sub> (Red) and B <sub>RPS</sub> (Blue) vs. Supply Voltage at +25°C .....	17
9. Operating Characteristics for RR121-1A23-311 .....	7	25.3 B <sub>OPN</sub> (Orange) and B <sub>OPS</sub> (Green) vs. Operating Temperature at V <sub>DD</sub> =3.0 V .....	18
10. Operating Characteristics for RR121-1F23-311 .....	7	25.4 B <sub>OPN</sub> (Red) and B <sub>OPS</sub> (Blue) vs. Supply Voltage at +25°C .....	18
11. Graphs - Typical Characteristics for RR121-1A23-311 and RR121-1F23-311 .....	8	26. Application Information .....	18
11.1 Average Supply Current vs. Supply Voltage vs. Temperature	8	26.1 RR121 Push-Pull Output Application Circuit (SOT-23) .....	18
11.2 Average Supply Current vs. Temperature vs. Supply Voltage	8	26.2 RR121 Push-Pull Output Application Circuit (LGA-4) .....	18
11.3 Sampling Frequency vs. Supply Voltage vs. Temperature ...	8	27. Part Selection & Ordering Information .....	19
12. Graphs - Typical Magnetic Characteristics for RR121-1A23-311 ...	9	27.1 Part Selection Table .....	19
12.1 B <sub>OPN</sub> (Red) and B <sub>OPS</sub> (Blue) vs. Supply Voltage at +25°C .....	9	27.2 Device Nomenclature Ordering Information .....	19
12.2 B <sub>RPN</sub> (Red) and B <sub>RPS</sub> (Blue) vs. Supply Voltage at +25°C .....	9	28. Axis of Sensitivity .....	19
12.3 B <sub>OPN</sub> (Orange) and B <sub>OPS</sub> (Green) vs. Operating Temperature at V <sub>DD</sub> =3.0 V .....	9	29. Dimensions .....	20
12.4 B <sub>OPN</sub> (Red) and B <sub>OPS</sub> (Blue) vs. Supply Voltage at +25°C .....	9	29.1 LGA-4 Package Dimensions .....	20
13. Operate & Release Lobe Plot .....	10	29.2 SOT-23-3 Package Dimensions .....	20
13.1 RR121-1A23-311 .....	10	30. TMR Sensor Location .....	20
14. Operating Characteristics for RR121-1B53-311 .....	10	30.1 LGA Package .....	20
15. Operating Characteristics for RR121-1A53-311 .....	11	30.2 SOT Package .....	20
16. Graphs - Typical Characteristics for RR121-1B53-311 and RR121-1A53-311 .....	11	31. Magnetic Flux Response Diagrams .....	21
16.1 Average Supply Current vs. Supply Voltage vs. Temperature .....	11	31.1 Omnipolar Magnetic Flux Response (Active Low Option) ..	21
16.2 Average Supply Current vs. Temperature vs. Supply Voltage .....	11	31.2 Bipolar Magnetic Flux Response (Active Low Option) .....	21
16.3 Sampling Frequency vs. Supply Voltage vs. Temperature ..	12	32. Output Behavior vs. Magnetic Field Diagrams .....	21
17. Graphs - Typical Magnetic Characteristics for RR121-1B53-311 ..	12	32.1 Output Behavior vs. Magnetic Field - Omnipolar .....	21
17.1 B <sub>OPN</sub> (Red) and B <sub>OPS</sub> (Blue) vs. Supply Voltage at +25°C .....	12	32.2 Output Behavior vs. Magnetic Field - Bipolar .....	21
17.2 B <sub>RPN</sub> (Red) and B <sub>RPS</sub> (Blue) vs. Supply Voltage at +25°C .....	12	33. TMR Sensor & Switch Packaging .....	22
17.3 B <sub>OPN</sub> (Orange) and B <sub>OPS</sub> (Green) vs. Operating Temperature at V <sub>DD</sub> =3.0 V .....	13	33.1 SOT-23-3 Tape & Reel Packaging .....	22
17.4 B <sub>OPN</sub> (Red) and B <sub>OPS</sub> (Blue) vs. Supply Voltage at +25°C .....	13	33.2 LGA-4 Tape & Reel Packaging .....	23
18. Operate & Release Lobe Plots .....	13	34. Suggested Pb-Free Reflow Profile .....	24
18.1 RR121-1B53-311 .....	13	35. Suggested Solder Pad Layout .....	24
19. Operating Characteristics for RR121-3C63-311 .....	14	35.1 SOT-23-3 Solder Pad Layout .....	24
20. Graphs - Typical Characteristics for RR121-3C63-311 .....	14	35.2 LGA-4 Solder Pad Layout .....	24
20.1 Average Supply Current vs. Supply Voltage vs. Temperature .....	14		
20.2 Average Supply Current vs. Temperature vs. Supply Voltage .....	14		
20.3 Sampling Frequency vs. Supply Voltage vs. Temperature ..	14		
21. Operating Characteristics for RR121-1E73-311 .....	15		
22. Graphs - Typical Characteristics for RR121-1E73-311 .....	15		
22.1 Average Supply Current vs. Supply Voltage vs. Temperature	15		
22.2 Average Supply Current vs. Temperature vs. Supply Voltage .....	15		
22.3 Sampling Frequency vs. Supply Voltage vs. Temperature ..	16		
23. Operating Characteristics for RR121-1B93-312 .....	16		
24. Graphs - Typical Characteristics for RR121-1B93-312 .....	17		
24.1 Sampling Frequency vs. Supply Voltage vs. Temperature ..	17		
25. Graphs - Typical Magnetic Characteristics for RR121-1B93-311 ..	17		
25.1 B <sub>OPN</sub> (Red) and B <sub>OPS</sub> (Blue) vs. Supply Voltage at +25°C .....	17		
25.2 B <sub>RPN</sub> (Red) and B <sub>RPS</sub> (Blue) vs. Supply Voltage at +25°C .....	17		
25.3 B <sub>OPN</sub> (Orange) and B <sub>OPS</sub> (Green) vs. Operating Temperature at V <sub>DD</sub> =3.0 V .....	18		
25.4 B <sub>OPN</sub> (Red) and B <sub>OPS</sub> (Blue) vs. Supply Voltage at +25°C .....	18		
26. Application Information .....	18		
26.1 RR121 Push-Pull Output Application Circuit (SOT-23) .....	18		
26.2 RR121 Push-Pull Output Application Circuit (LGA-4) .....	18		
27. Part Selection & Ordering Information .....	19		
27.1 Part Selection Table .....	19		
27.2 Device Nomenclature Ordering Information .....	19		
28. Axis of Sensitivity .....	19		
29. Dimensions .....	20		
29.1 LGA-4 Package Dimensions .....	20		
29.2 SOT-23-3 Package Dimensions .....	20		
30. TMR Sensor Location .....	20		
30.1 LGA Package .....	20		
30.2 SOT Package .....	20		
31. Magnetic Flux Response Diagrams .....	21		
31.1 Omnipolar Magnetic Flux Response (Active Low Option) ..	21		
31.2 Bipolar Magnetic Flux Response (Active Low Option) .....	21		
32. Output Behavior vs. Magnetic Field Diagrams .....	21		
32.1 Output Behavior vs. Magnetic Field - Omnipolar .....	21		
32.2 Output Behavior vs. Magnetic Field - Bipolar .....	21		
33. TMR Sensor & Switch Packaging .....	22		
33.1 SOT-23-3 Tape & Reel Packaging .....	22		
33.2 LGA-4 Tape & Reel Packaging .....	23		
34. Suggested Pb-Free Reflow Profile .....	24		
35. Suggested Solder Pad Layout .....	24		
35.1 SOT-23-3 Solder Pad Layout .....	24		
35.2 LGA-4 Solder Pad Layout .....	24		

## 4 Specifications for all RR121 Series Sensors

### 4.1 Absolute Environmental Ratings for all RR121 Series Sensors<sup>1</sup>

Parameters	Units	Min	Typ	Max
Operating Temperature ( $T_{OP}$ )	°C	-40		+125
Storage Temperature ( $T_{STG}$ )	°C	-65		+150
Junction Temperature ( $T_J$ )	°C	-40		+150
Soldering Temperature (3 cycles, 1 min.) ( $T_{SOL}$ )	°C			+260
ESD Level Human Body Model per JESD22-A114	V			±4000

### 4.2 Absolute Electrical Ratings for all RR121 Series Sensors<sup>1</sup>

Parameters	Units	Min	Typ	Max
Supply Voltage ( $V_{DD}$ )	V	-0.3		+4.0
Push-pull Output (Active Low)( $V_{OUT\_PP}$ )	V	-0.3		$V_{DD} + 0.3$
Open Drain Output Voltage (Active Low) ( $V_{OUT\_OD}$ )	V	-0.3		+5.5
Input and Output Current ( $V_{IN}/I_{OUT}$ )	mA	-10		+10

### 4.3 Operating Electrical Characteristics for all RR121 Series Sensors<sup>2</sup>

Parameters	Units	Min	Typ	Max
Supply Voltage ( $V_{DD}$ )	V	+2.7	+3.0	+3.6
Output Voltage (High) <sup>3</sup> ( $V_{OUTH}$ )	V	90% $V_{DD}$		
Output Voltage (Low) <sup>3</sup> ( $V_{OUTL}$ )	V			10% $V_{DD}$
Power-On Time ( $t_{ON}$ )( $V_{DD} > 2.7V$ )	μs		500	
Under-Voltage Lockout Threshold Rising $V_{DD}$ ( $V_{UVLO\_RISE}$ )	V		+2.20	+2.60
Under-Voltage Lockout Threshold Falling $V_{DD}$ ( $V_{UVLO\_FALL}$ )	V	+1.90	+2.15	
Under-Voltage Lockout Hysteresis ( $V_{UV\_HYST}$ )	mV		+50	

#### Notes:

- Exceeding Absolute Ratings may cause permanent damage to the device. Exposure at the maximum rated conditions for extended periods of time may also affect device reliability.
- Unless otherwise specified, all characteristics are measured at 25°C.
- See "Magnetic Field vs. Output Status" for more details.



ESD Note: This product uses semiconductors that can be damaged by electrostatic discharge (ESD). When handling, proper ESD precautions should be taken to avoid performance degradation or loss of functionality. Damage due to inappropriate handling is not covered under warranty.

### 5 Operating Characteristics for RR121-1B13-311 and RR121-1B13-312<sup>1</sup>

Parameters	Units	Min	Typ	Max
Average Supply Current ( $I_{DD(AVG)}$ ) <sup>2</sup>	nA		200	700
Switching Frequency ( $f_{SW}$ )	Hz	1	2	4
Active Mode Time ( $t_{ACT}$ )	$\mu$ s		1.4	
Idle Mode Time ( $t_{IDLE}$ )	ms		500	
Operate Point ( $B_{OPN}$ )	G	27	30	38
Operate Point ( $B_{OPS}$ )	G	-38	-30	-27
Release Point ( $B_{RPN}$ )	G	18	20	27
Release Point ( $B_{RPS}$ )	G	-27	-20	-18
Hysteresis ( $B_{HYST}$ ) <sup>3</sup>	G	5	10	

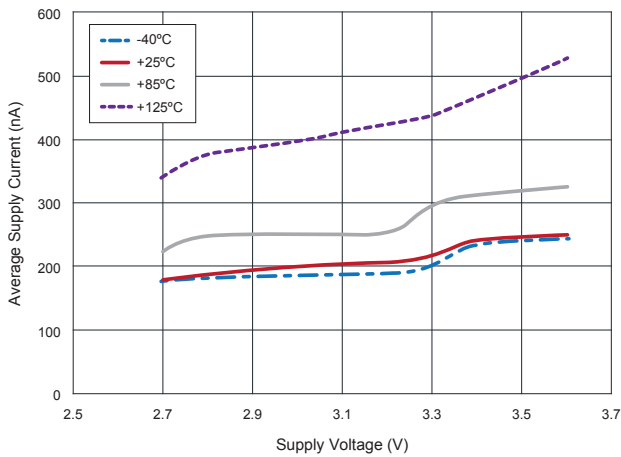
**Notes:**

1. Unless otherwise specified,  $V_{DD} = 2.7$  V to 3.6 V,  $T_A = -40^\circ$ C to  $+125^\circ$ C. Typical values are  $V_{DD} = 3.0$  V and  $T_A = +25^\circ$ C.
2. Conditions:  $t = 10$  seconds
3. Conditions:  $B_{HYST} = B_{OP} - B_{RP}$

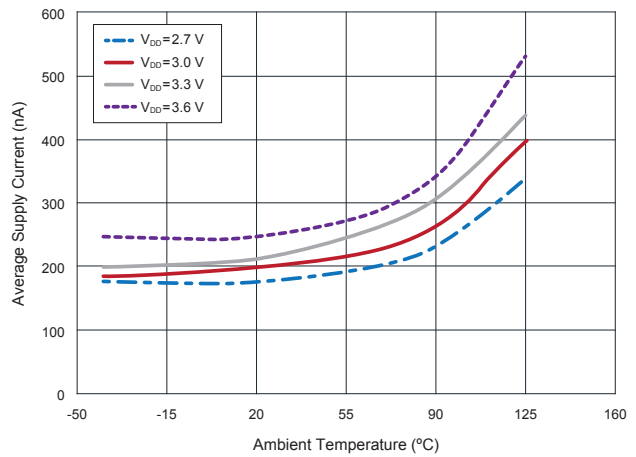
### 6 Graphs - Typical Electrical Characteristics for RR121-1B13-311 and RR121-1B13-312

$V_{DD} = 3.0$  V and  $T_A = +25^\circ$ C,  $C_{DD} = 1.0$   $\mu$ F (unless otherwise specified)

**6.1 Average Supply Current vs. Supply Voltage vs. Temperature**



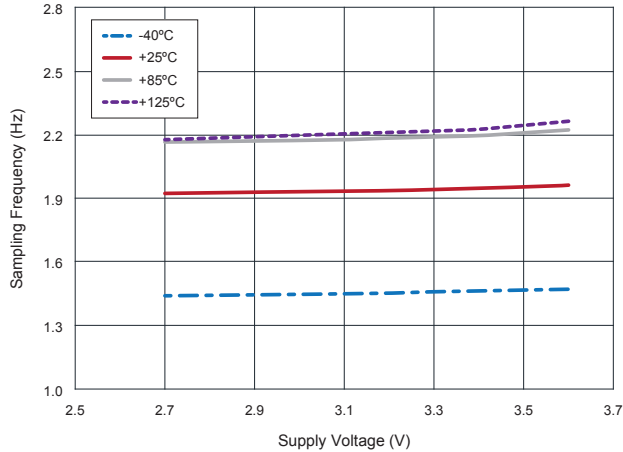
**6.2 Average Supply Current vs. Temperature vs. Supply Voltage**



## 6 Graphs - Typical Electrical Characteristics for RR121-1B13-311 and RR121-1B13-312

$V_{DD} = 3.0\text{ V}$  and  $T_A = +25\text{ }^\circ\text{C}$ ,  $C_{DD} = 1.0\text{ }\mu\text{F}$  (unless otherwise specified)

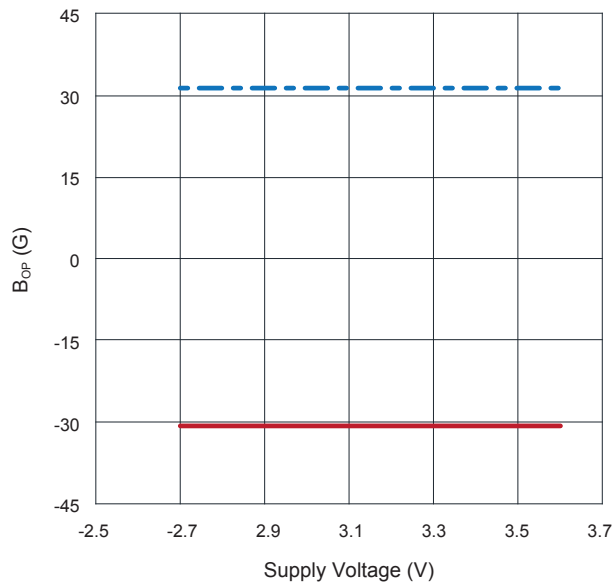
### 6.3 Sampling Frequency vs. Supply Voltage vs. Temperature



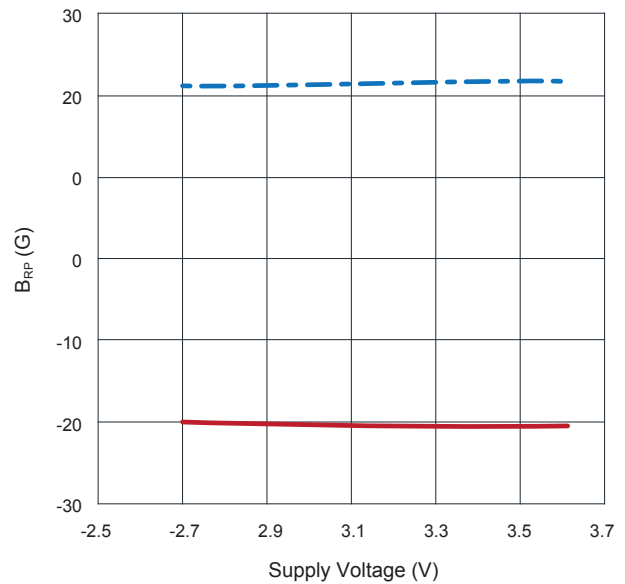
## 7 Graphs - Typical Magnetic Characteristics for RR121-1B13-311 and RR121-1B13-312

$V_{DD} = 3.0\text{ V}$  and  $T_A = +25\text{ }^\circ\text{C}$ ,  $C_{DD} = 1.0\text{ }\mu\text{F}$  (unless otherwise specified)

### 7.1 $B_{OPN}$ (Blue) and $B_{OPS}$ (Red) vs. Supply Voltage at +25°C



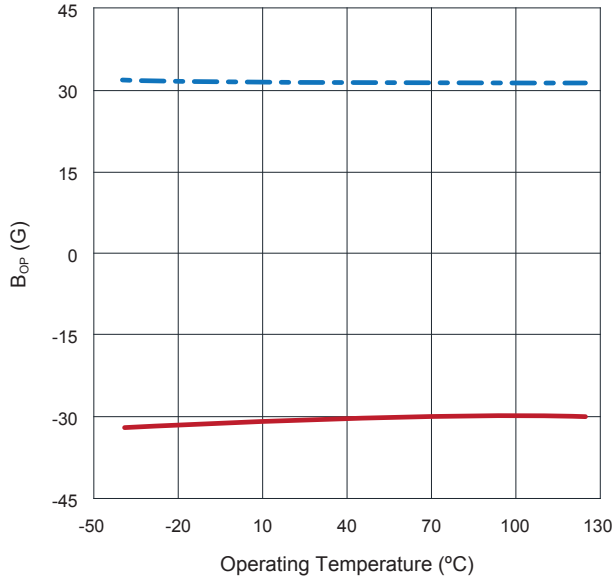
### 7.2 $B_{RPN}$ (Blue) and $B_{RPS}$ (Red) vs. Supply Voltage at +25°C



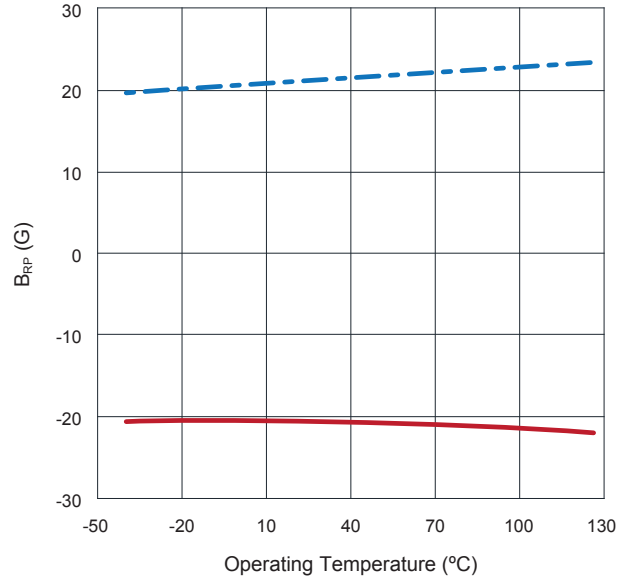
### 7 Graphs - Typical Magnetic Characteristics for RR121-1B13-311 and RR121-1B13-312

$V_{DD} = 3.0\text{ V}$  and  $T_A = +25\text{ }^\circ\text{C}$ ,  $C_{DD} = 1.0\text{ }\mu\text{F}$  (unless otherwise specified)

**7.3  $B_{OPN}$  (Blue) and  $B_{OPS}$  (Red) vs. Operating Temperature at  $V_{DD}=3.0\text{ V}$**



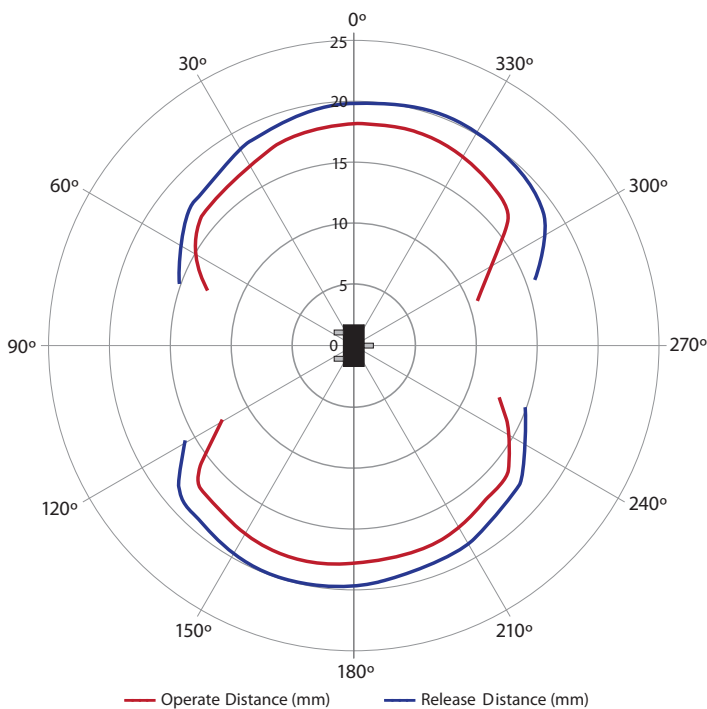
**7.4  $B_{RPN}$  (Blue) and  $B_{RPS}$  (Red) vs. Operating Temperature at  $V_{DD}=3.0\text{ V}$**



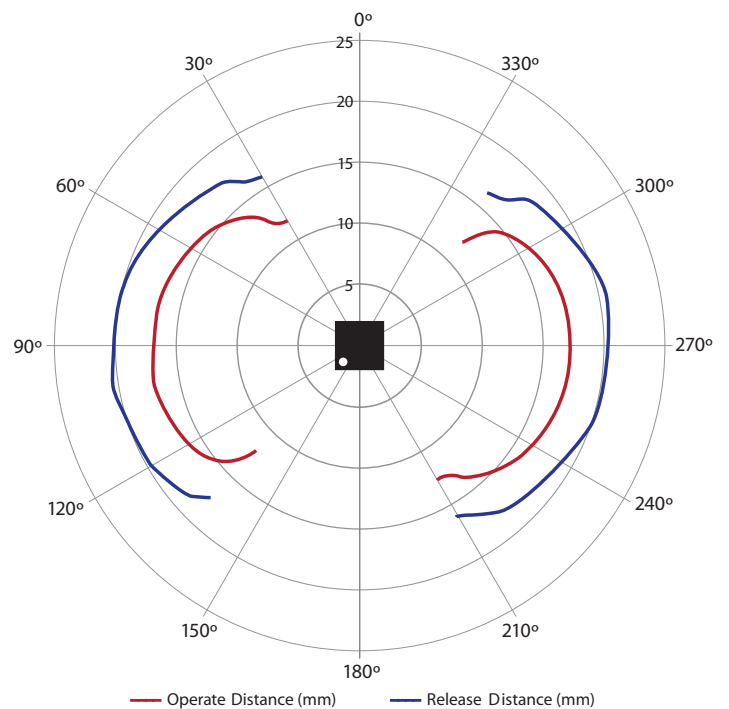
### 8 Operate & Release Lobe Plots

Operate and release distances show are relative. The actual operate and release distances will depend on the type of magnet that is used.

**8.1 RR121-1B13-311**



**8.2 RR121-1B13-312**



## 9 Operating Characteristics for RR121-1A23-311<sup>1</sup>

Parameters	Units	Min	Typ	Max
Average Supply Current ( $I_{DD(AVG)}$ ) <sup>2</sup>	nA		230	700
Switching Frequency ( $f_{SW}$ )	Hz	7	10	13
Active Mode Time ( $t_{ACT}$ )	μs		1.4	
Idle Mode Time ( $t_{IDLE}$ )	ms		100	
Operate Point ( $B_{OPN}$ )	G	8	9	12
Operate Point ( $B_{OPS}$ )	G	-12	-9	-8
Release Point ( $B_{RPN}$ )	G	3	5	7
Release Point ( $B_{RPS}$ )	G	-7	-5	-3
Hysteresis ( $B_{HYST}$ ) <sup>3</sup>	G	3	4	

**Notes:**

1. Unless otherwise specified,  $V_{DD} = 2.7\text{ V to }3.6\text{ V}$ ,  $T_A = -40^\circ\text{C to }+125^\circ\text{C}$ . Typical values are  $V_{DD} = 3.0\text{ V}$  and  $T_A = +25^\circ\text{C}$ .
2. Conditions:  $t = 10\text{ seconds}$
3. Conditions:  $B_{HYST} = B_{OP} - B_{RP}$

## 10 Operating Characteristics for RR121-1F23-311<sup>1</sup>

Parameters	Units	Min	Typ	Max
Average Supply Current ( $I_{DD(AVG)}$ ) <sup>2</sup>	nA		230	700
Switching Frequency ( $f_{SW}$ )	Hz	7	10	13
Active Mode Time ( $t_{ACT}$ )	μs		1.4	
Idle Mode Time ( $t_{IDLE}$ )	ms	77	100	143
Operate Point ( $B_{OPN}$ )	G		70	
Operate Point ( $B_{OPS}$ )	G		-70	
Release Point ( $B_{RPN}$ )	G		50	
Release Point ( $B_{RPS}$ )	G		-50	
Hysteresis ( $B_{HYST}$ ) <sup>3</sup>	G		20	

**Notes:**

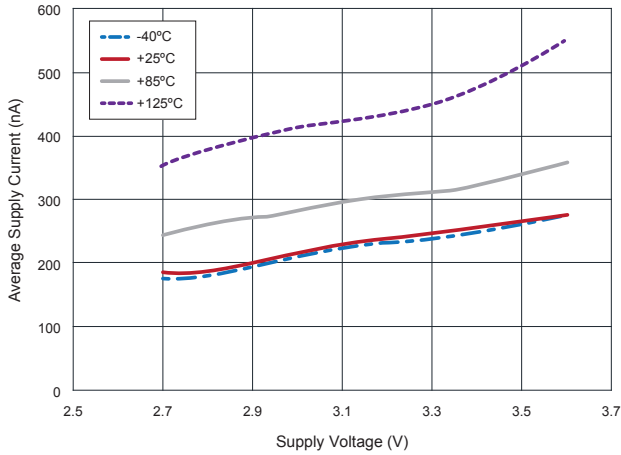
1. Unless otherwise specified,  $V_{DD} = 2.7\text{ V to }3.6\text{ V}$ ,  $T_A = -40^\circ\text{C to }+125^\circ\text{C}$ . Typical values are  $V_{DD} = 3.0\text{ V}$  and  $T_A = +25^\circ\text{C}$ .
2. Conditions:  $t = 10\text{ seconds}$
3. Conditions:  $B_{HYST} = B_{OP} - B_{RP}$



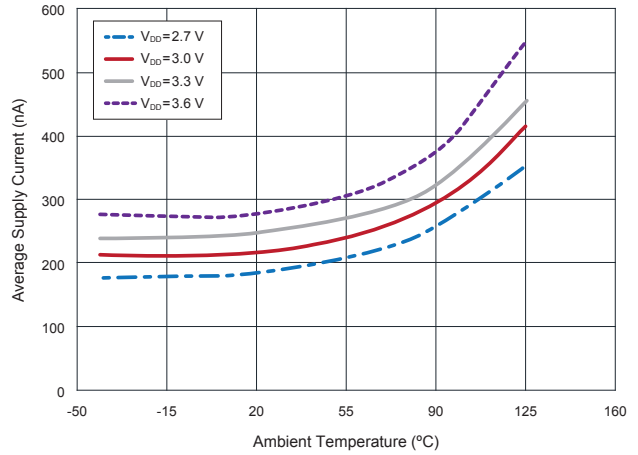
## 11 Graphs - Typical Characteristics for RR121-1A23-311 and RR121-1F23-311

$V_{DD} = 3.0\text{ V}$  and  $T_A = +25\text{ }^\circ\text{C}$ ,  $C_{DD} = 1.0\text{ }\mu\text{F}$  (unless otherwise specified)

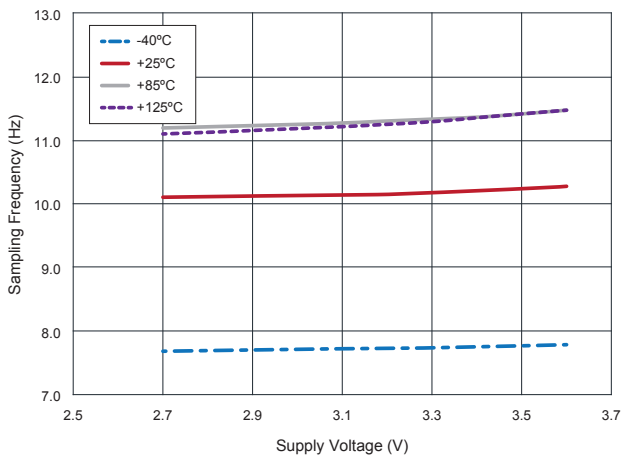
### 11.1 Average Supply Current vs. Supply Voltage vs. Temperature



### 11.2 Average Supply Current vs. Temperature vs. Supply Voltage



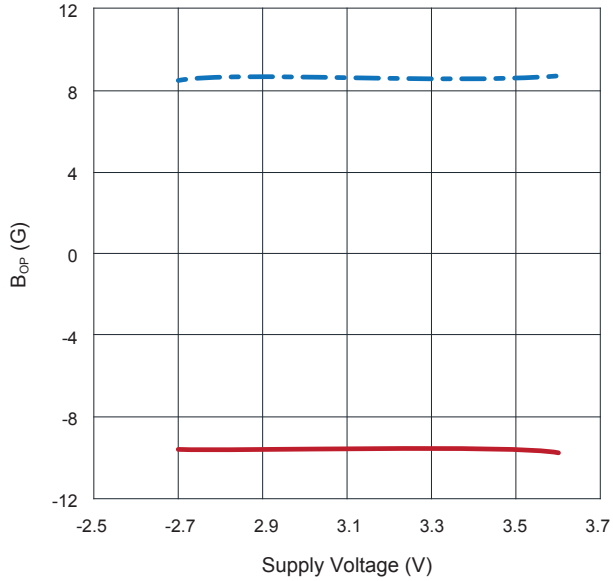
### 11.3 Sampling Frequency vs. Supply Voltage vs. Temperature



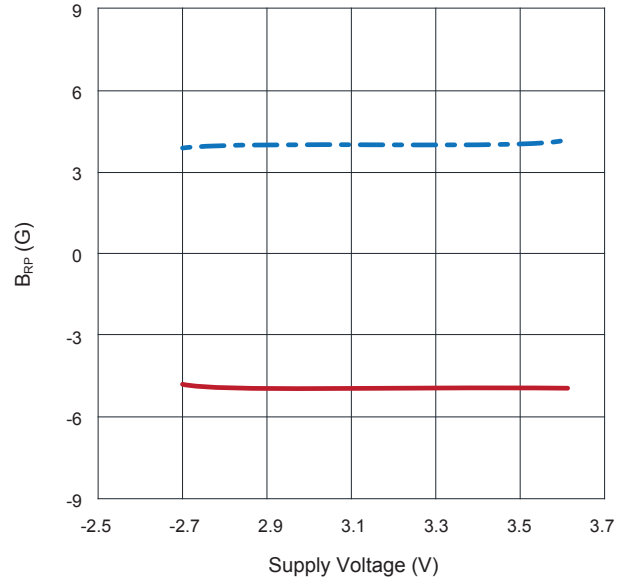
## 12 Graphs - Typical Magnetic Characteristics for RR121-1A23-311

$V_{DD} = 3.0\text{ V}$  and  $T_A = +25\text{ }^\circ\text{C}$ ,  $C_{DD} = 1.0\text{ }\mu\text{F}$  (unless otherwise specified)

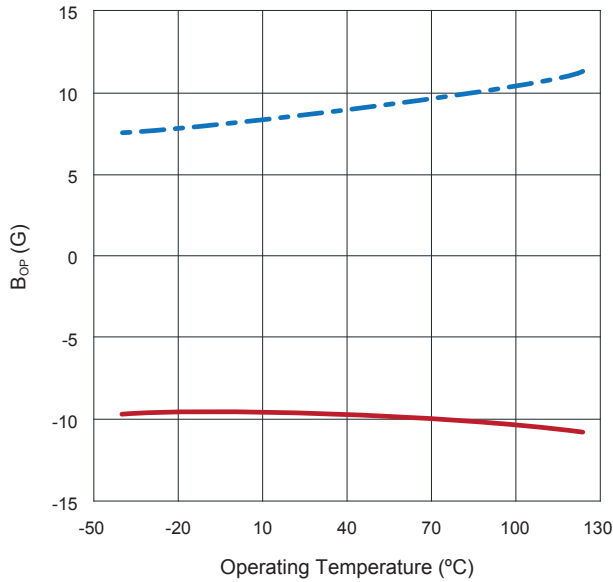
**12.1  $B_{OPN}$  (Blue) and  $B_{OPS}$  (Red) vs. Supply Voltage at +25°C**



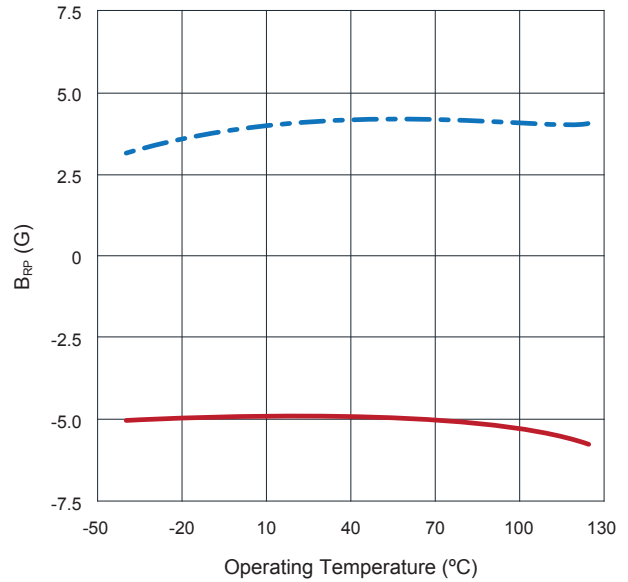
**12.2  $B_{RPN}$  (Blue) and  $B_{RPS}$  (Red) vs. Supply Voltage at +25°C**



**12.3  $B_{OPN}$  (Blue) and  $B_{OPS}$  (Red) vs. Operating Temperature at  $V_{DD}=3.0\text{ V}$**



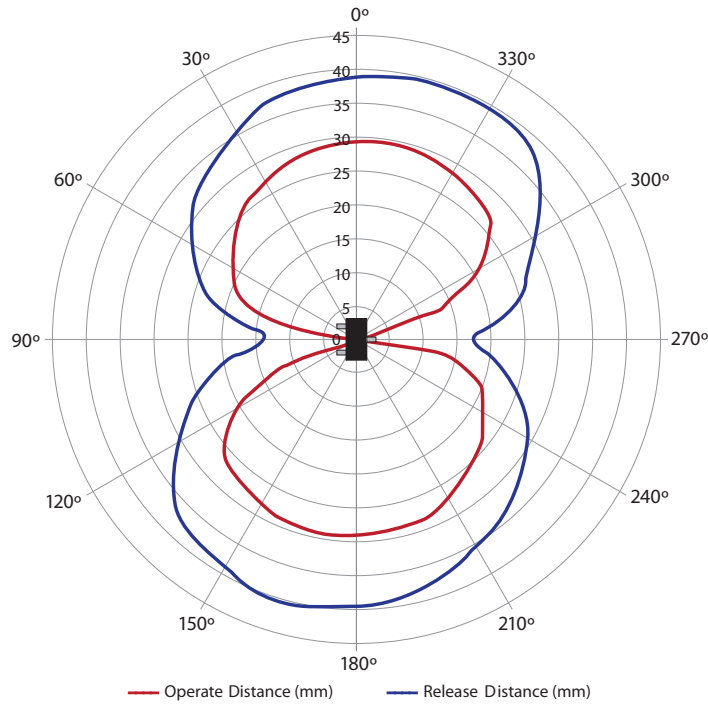
**12.4  $B_{RPN}$  (Blue) and  $B_{RPS}$  (Red) vs. Operating Temperature at  $V_{DD}=3.0\text{ V}$**



### 13 Operate & Release Lobe Plot

Operate and release distances show are relative. The actual operate and release distances will depend on the type of magnet that is used.

13.1 RR121-1A23-311



### 14 Operating Characteristics for RR121-1B53-311<sup>1</sup>

Parameters	Units	Min	Typ	Max
Average Supply Current ( $I_{DD(AVG)}$ ) <sup>2</sup>	$\mu A$		1.4	2.5
Switching Frequency ( $f_{SW}$ )	Hz	165	250	300
Active Mode Time ( $t_{ACT}$ )	$\mu s$		1.4	
Idle Mode Time ( $t_{IDLE}$ )	ms		4.0	
Operate Point ( $B_{OPN}$ )	G	27	30	38
Operate Point ( $B_{OPS}$ )	G	-38	-30	-27
Release Point ( $B_{RPN}$ )	G	18	20	27
Release Point ( $B_{RPS}$ )	G	-27	-20	-18
Hysteresis ( $B_{HYST}$ ) <sup>3</sup>	G	5	10	

**Notes:**

1. Unless otherwise specified,  $V_{DD} = 2.7 V$  to  $3.6 V$ ,  $T_A = -40^\circ C$  to  $+125^\circ C$ . Typical values are  $V_{DD} = 3.0 V$  and  $T_A = +25^\circ C$ .
2. Conditions:  $t = 10$  seconds
3. Conditions:  $B_{HYST} = B_{OP} - B_{RP}$

## 15 Operating Characteristics for RR121-1A53-311<sup>1</sup>

Parameters	Units	Min	Typ	Max
Average Supply Current ( $I_{DD(AVG)}$ ) <sup>2</sup>	μA		1.2	2.5
Switching Frequency ( $f_{SW}$ )	Hz	165	250	300
Active Mode Time ( $t_{ACT}$ )	μs		1.4	
Idle Mode Time ( $t_{IDLE}$ )	ms	3.3	4.0	6.0
Operate Point ( $B_{OPN}$ )	G	8	9	12
Operate Point ( $B_{OPS}$ )	G	-12	-9	-8
Release Point ( $B_{RPN}$ )	G	3	5	7
Release Point ( $B_{RPS}$ )	G	-7	-5	-3
Hysteresis ( $B_{HYST}$ ) <sup>3</sup>	G	3	4	

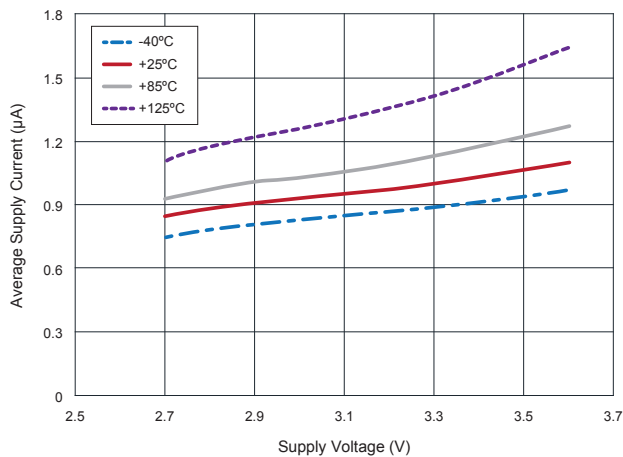
### Notes:

- Unless otherwise specified,  $V_{DD} = 2.7\text{ V to }3.6\text{ V}$ ,  $T_A = -40^\circ\text{C to }+125^\circ\text{C}$ . Typical values are  $V_{DD} = 3.0\text{ V}$  and  $T_A = +25^\circ\text{C}$ .
- Conditions:  $t = 10\text{ seconds}$
- Conditions:  $B_{HYST} = B_{OP} - B_{RP}$

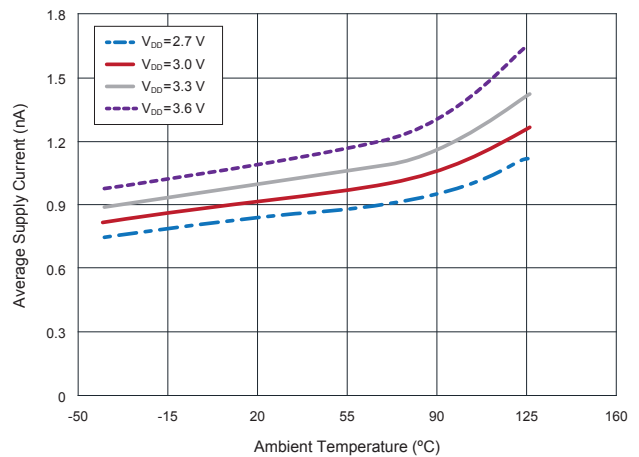
## 16 Graphs - Typical Characteristics for RR121-1B53-311 and RR121-1A53-311

$V_{DD} = 3.0\text{ V}$  and  $T_A = +25^\circ\text{C}$ ,  $C_{DD} = 1.0\text{ }\mu\text{F}$  (unless otherwise specified)

### 16.1 Average Supply Current vs. Supply Voltage vs. Temperature



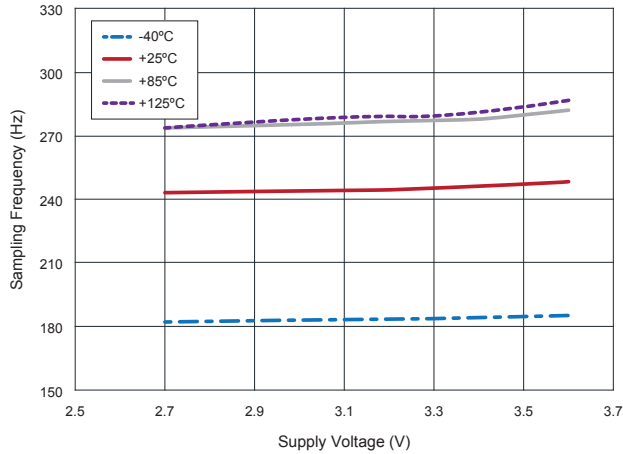
### 16.2 Average Supply Current vs. Temperature vs. Supply Voltage



### 16 Typical Characteristics for RR121-1B53-311 and RR121-1A53-311

$V_{DD} = 3.0\text{ V}$  and  $T_A = +25\text{ }^\circ\text{C}$ ,  $C_{DD} = 1.0\text{ }\mu\text{F}$  (unless otherwise specified)

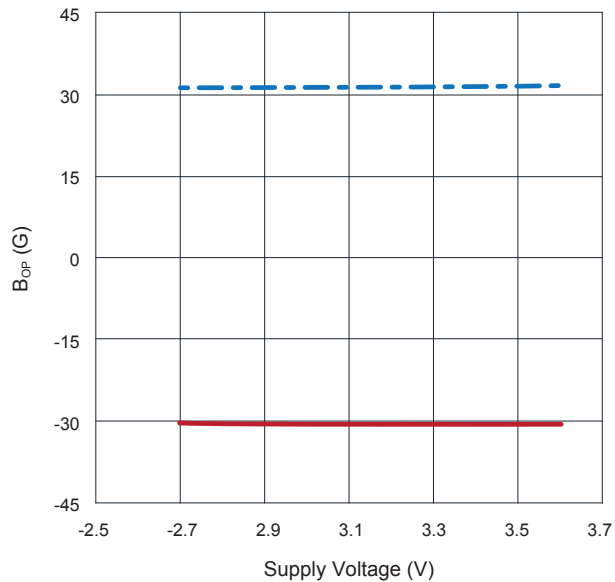
**16.3 Sampling Frequency vs. Supply Voltage vs. Temperature**



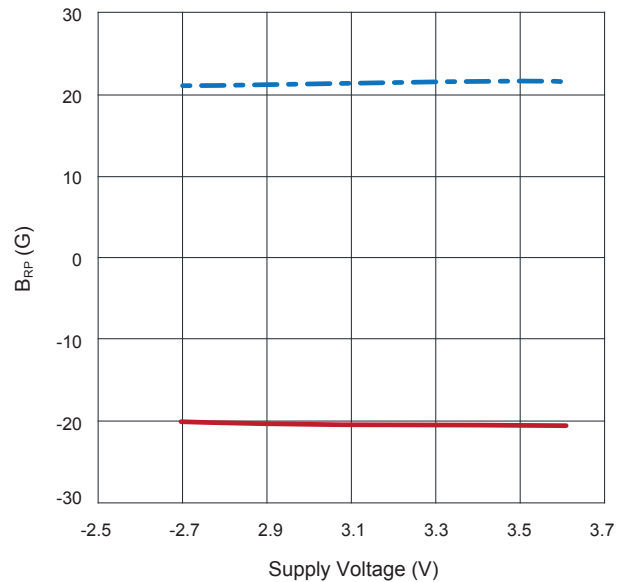
### 17 Graphs - Typical Magnetic Characteristics for RR121-1B53-311

$V_{DD} = 3.0\text{ V}$  and  $T_A = +25\text{ }^\circ\text{C}$ ,  $C_{DD} = 1.0\text{ }\mu\text{F}$  (unless otherwise specified)

**17.1  $B_{OPN}$  (Blue) and  $B_{OP5}$  (Red) vs. Supply Voltage at +25°C**



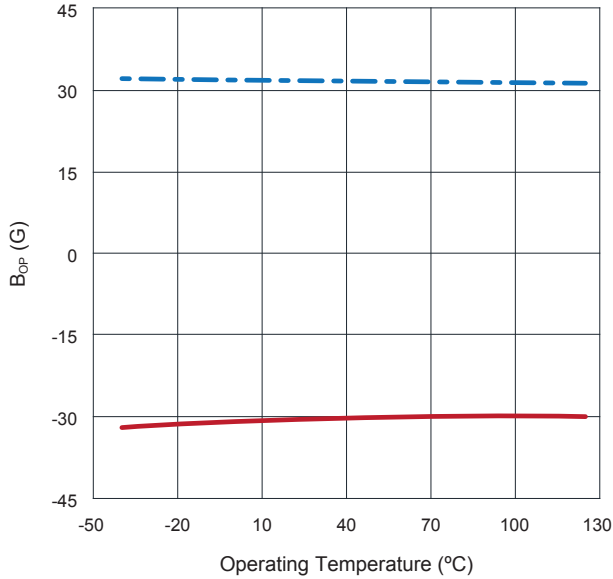
**17.2  $B_{RPN}$  (Blue) and  $B_{RPS}$  (Red) vs. Supply Voltage at +25°C**



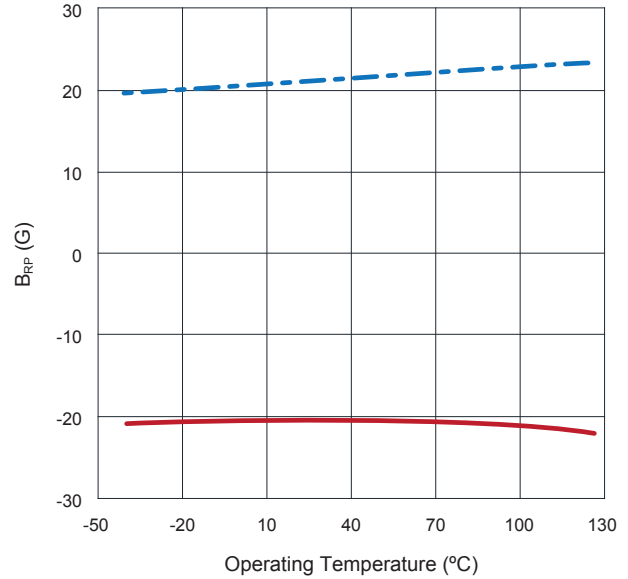
### 17 Graphs - Typical Magnetic Characteristics for RR121-1B53-311

$V_{DD} = 3.0\text{ V}$  and  $T_A = +25\text{ }^\circ\text{C}$ ,  $C_{DD} = 1.0\text{ }\mu\text{F}$  (unless otherwise specified)

**17.3  $B_{OPN}$  (Blue) and  $B_{OPS}$  (Red) vs. Operating Temperature at  $V_{DD}=3.0\text{ V}$**



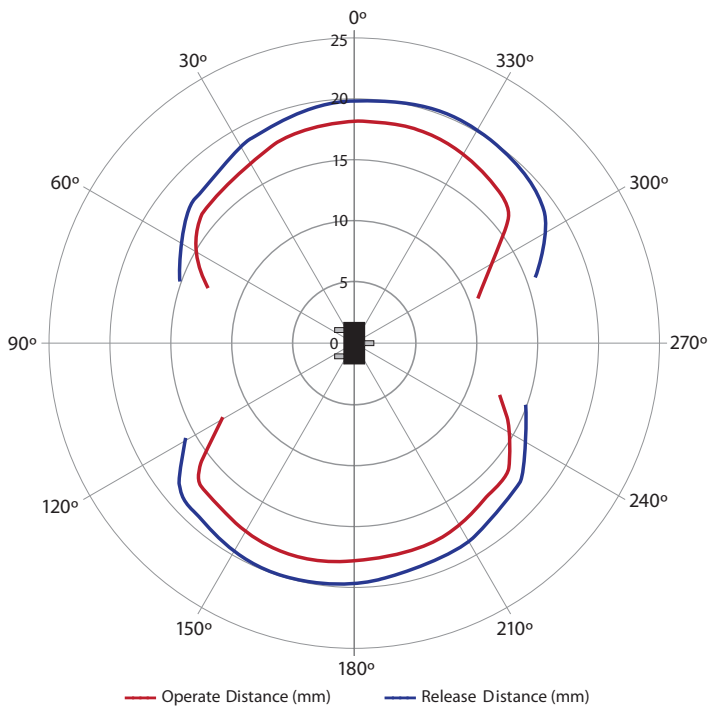
**17.4  $B_{RPN}$  (Blue) and  $B_{RPS}$  (Red) vs. Operating Temperature at  $V_{DD}=3.0\text{ V}$**



### 18 Operate & Release Lobe Plot

Operate and release distances show are relative. The actual operate and release distances will depend on the type of magnet that is used.

**18.1 RR121-1B53-311**



### 19 Operating Characteristics for RR121-3C63-311<sup>1</sup>

Parameters	Units	Min	Typ	Max
Average Supply Current ( $I_{DD(AVG)}$ ) <sup>2</sup>	$\mu A$		1.7	3.3
Switching Frequency ( $f_{SW}$ )	Hz	325	500	600
Active Mode Time ( $t_{ACT}$ )	$\mu s$		1.4	
Idle Mode Time ( $t_{IDLE}$ )	ms		2.0	
Operate Point ( $B_{OPS}$ )	G	8	10	14
Release Point ( $B_{RPN}$ )	G	14	-10	-8

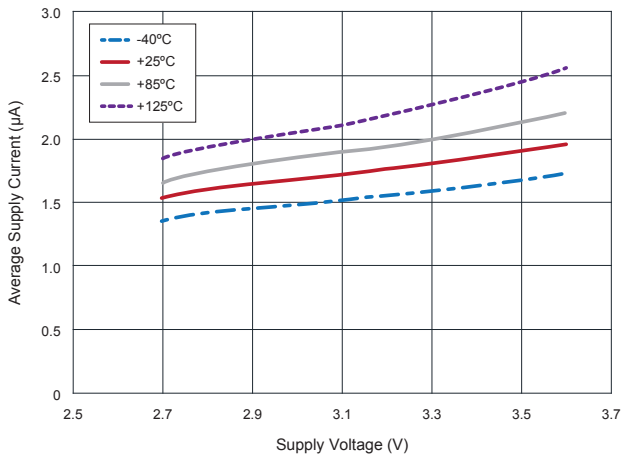
**Notes:**

1. Unless otherwise specified,  $V_{DD} = 2.7 V$  to  $3.6 V$ ,  $T_A = -40^\circ C$  to  $+125^\circ C$ . Typical values are  $V_{DD} = 3.0 V$  and  $T_A = +25^\circ C$ .
2. Conditions:  $t=10$

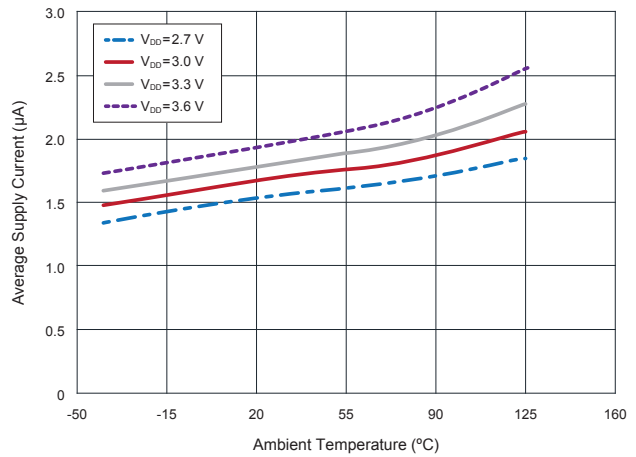
### 20 Graphs - Typical Characteristics for RR121-3C63-311

$V_{DD} = 3.0 V$  and  $T_A = +25^\circ C$ ,  $C_{DD} = 1.0 \mu F$  (unless otherwise specified)

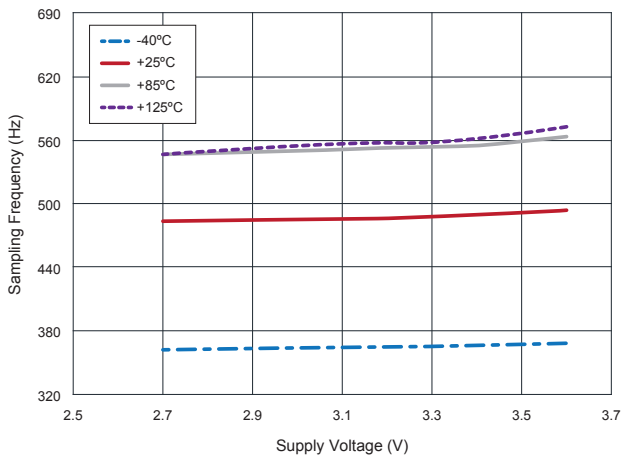
**20.1 Average Supply Current vs. Supply Voltage vs. Temperature**



**20.2 Average Supply Current vs. Temperature vs. Supply Voltage**



**20.3 Sampling Frequency vs. Supply Voltage vs. Temperature**



## 21 Operating Characteristics for RR121-1E73-311<sup>1</sup>

Parameters	Units	Min	Typ	Max
Average Supply Current ( $I_{DD(AVG)}$ ) <sup>2</sup>	μA		8	13
Switching Frequency ( $f_{SW}$ )	Hz	1.63	2.50	3.25
Active Mode Time ( $t_{ACT}$ )	μs		1.4	
Idle Mode Time ( $t_{IDLE}$ )	ms	308	400	614
Operate Point ( $B_{OPN}$ )	G	13	15	18
Operate Point ( $B_{OPS}$ )	G	-18	-15	-13
Release Point ( $B_{RPN}$ )	G	8	10	13
Release Point ( $B_{RPS}$ )	G	-13	-10	-8
Hysteresis ( $B_{HYST}$ ) <sup>3</sup>	G	3	5	

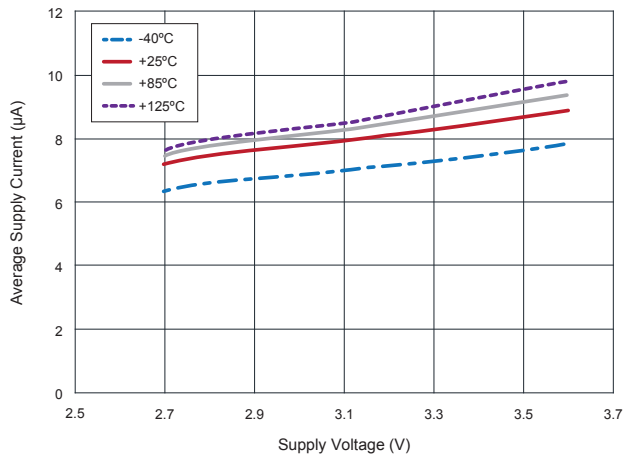
### Notes:

- Unless otherwise specified,  $V_{DD} = 2.7\text{ V}$  to  $3.6\text{ V}$ ,  $T_A = -40^\circ\text{C}$  to  $+125^\circ\text{C}$ . Typical values are  $V_{DD} = 3.0\text{ V}$  and  $T_A = +25^\circ\text{C}$ .
- Conditions:  $t = 10$  seconds
- Conditions:  $B_{HYST} = B_{OP} - B_{RP}$

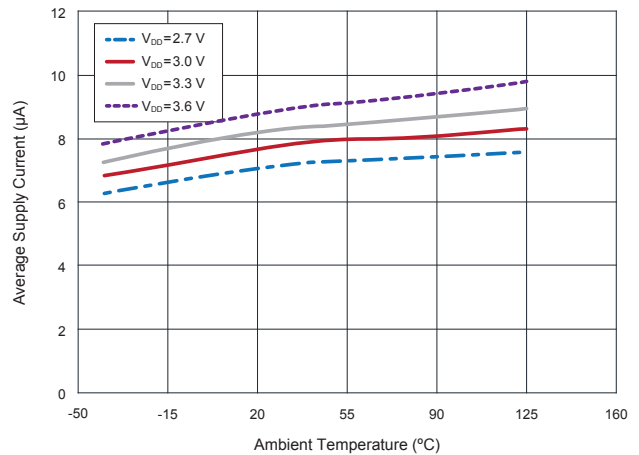
## 22 Graphs - Typical Characteristics for RR121-1E73-311

$V_{DD} = 3.0\text{ V}$  and  $T_A = +25^\circ\text{C}$ ,  $C_{DD} = 1.0\text{ }\mu\text{F}$  (unless otherwise specified)

### 22.1 Average Supply Current vs. Supply Voltage vs. Temperature



### 22.2 Average Supply Current vs. Temperature vs. Supply Voltage

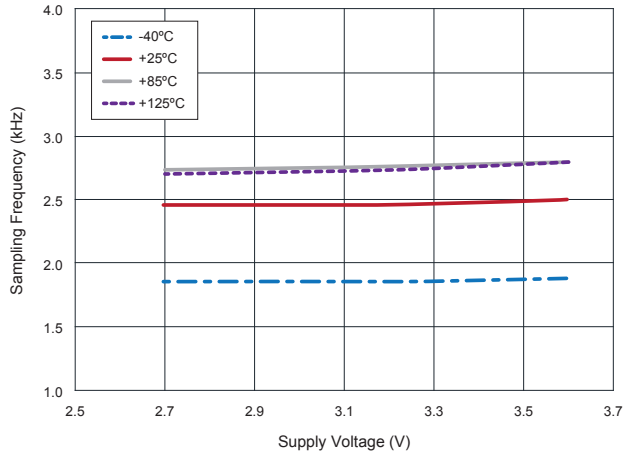




## 22 Typical Characteristics for RR121-1E73-311

$V_{DD} = 3.0\text{ V}$  and  $T_A = +25\text{ }^\circ\text{C}$ ,  $C_{DD} = 1.0\text{ }\mu\text{F}$  (unless otherwise specified)

### 22.3 Sampling Frequency vs. Supply Voltage vs. Temperature



## 23 Operating Characteristics for RR121-1B93-312<sup>1</sup>

Parameters	Units	Min	Typ	Max
Average Supply Current ( $I_{DD(AVG)}$ ) <sup>2</sup>	$\mu\text{A}$		36	
Switching Frequency ( $f_{SW}$ )	kHz	7	10	13
Active Mode Time ( $t_{ACT}$ )	$\mu\text{s}$		1.4	
Idle Mode Time ( $t_{IDLE}$ )	ms	77	100	143
Operate Point ( $B_{OPN}$ )	G	27	30	38
Operate Point ( $B_{OPS}$ )	G	-38	-30	-27
Release Point ( $B_{RPN}$ )	G	18	20	27
Release Point ( $B_{RPS}$ )	G	-27	-20	-18
Hysteresis ( $B_{HYST}$ ) <sup>3</sup>	G	5	10	

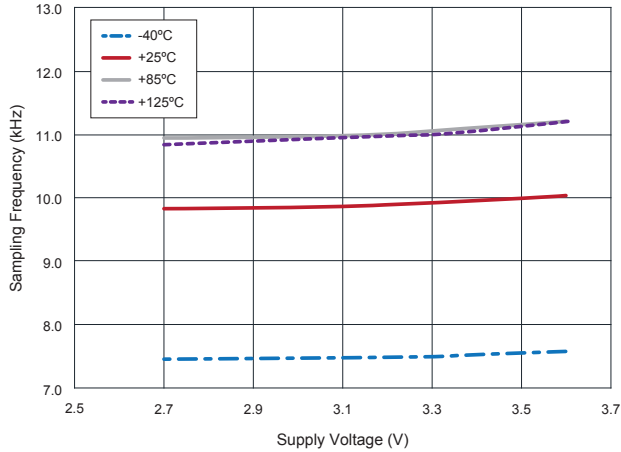
**Notes:**

1. Unless otherwise specified,  $V_{DD} = 2.7\text{ V}$  to  $3.6\text{ V}$ ,  $T_A = -40^\circ\text{C}$  to  $+125^\circ\text{C}$ . Typical values are  $V_{DD} = 3.0\text{ V}$  and  $T_A = +25^\circ\text{C}$ .
2. Conditions:  $t = 10\text{ seconds}$
3. Conditions:  $B_{HYST} = B_{OP} - B_{RP}$

## 24 Graphs - Typical Characteristics for RR121-1B93-312

$V_{DD} = 3.0\text{ V}$  and  $T_A = +25\text{ }^\circ\text{C}$ ,  $C_{DD} = 1.0\text{ }\mu\text{F}$  (unless otherwise specified)

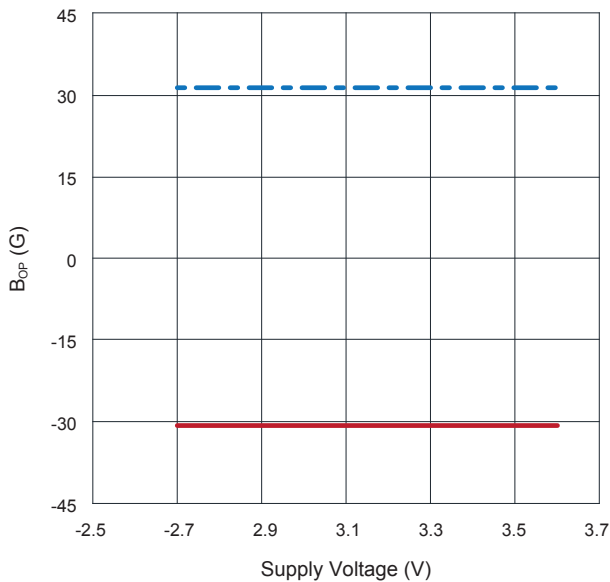
**24.1 Sampling Frequency vs. Supply Voltage vs. Temperature**



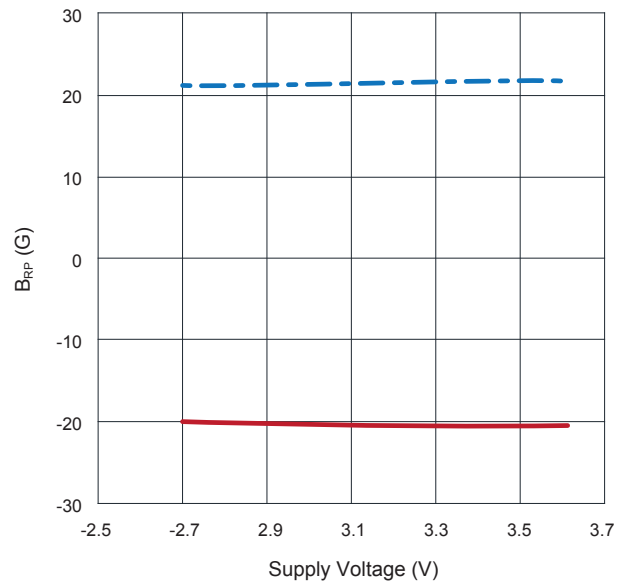
## 25 Graphs - Typical Magnetic Characteristics for RR121-1B93-312

$V_{DD} = 3.0\text{ V}$  and  $T_A = +25\text{ }^\circ\text{C}$ ,  $C_{DD} = 1.0\text{ }\mu\text{F}$  (unless otherwise specified)

**25.1  $B_{OPN}$  (Blue) and  $B_{OPS}$  (Red) vs. Supply Voltage at +25°C**



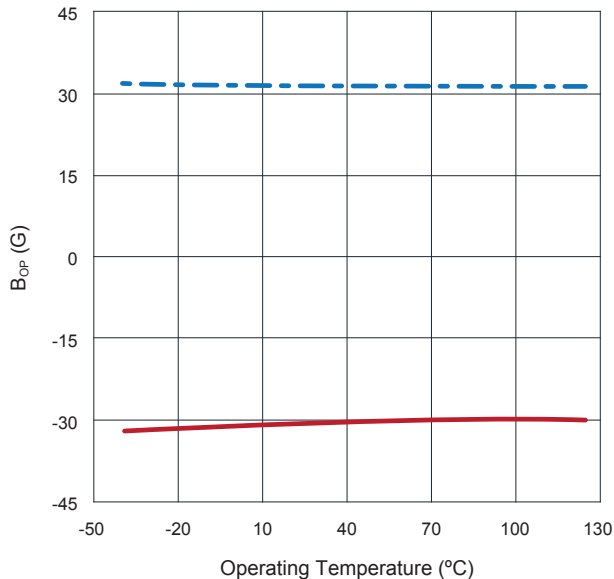
**25.2  $B_{RPN}$  (Blue) and  $B_{RPS}$  (Red) vs. Supply Voltage at +25°C**



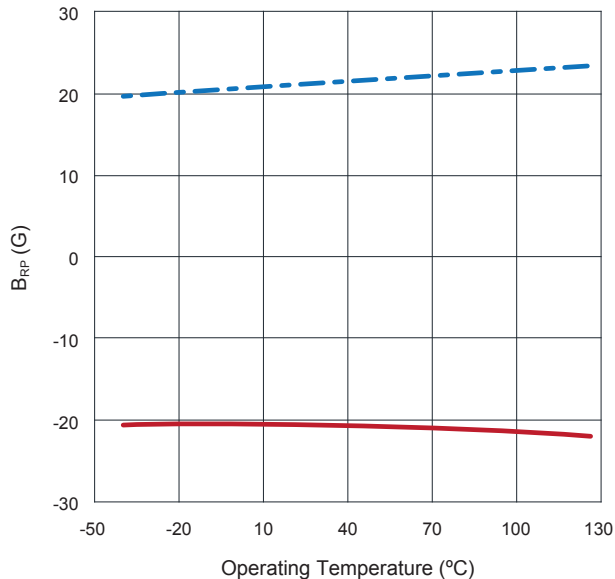
## 25 Typical Magnetic Characteristics for RR121-1B93-312

$V_{DD} = 3.0\text{ V}$  and  $T_A = +25\text{ }^\circ\text{C}$ ,  $C_{DD} = 1.0\text{ }\mu\text{F}$  (unless otherwise specified)

**25.3  $B_{OPN}$  (Blue) and  $B_{OPS}$  (Red) vs. Operating Temperature at  $V_{DD}=3.0\text{ V}$**

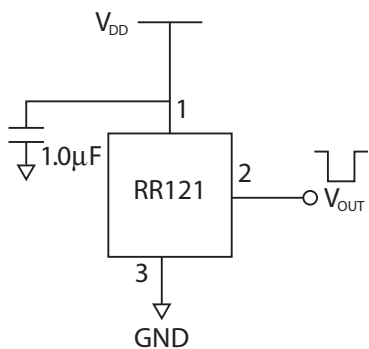


**25.4  $B_{RPN}$  (Blue) and  $B_{RPS}$  (Red) vs. Operating Temperature at  $V_{DD}=3.0\text{ V}$**

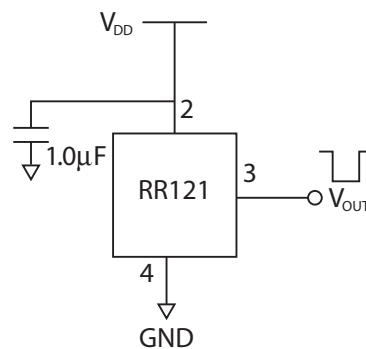


## 26 Application Information

### 26.1 Application Circuit (SOT-23)



### 26.2 Application Circuit (LGA-4)



#### RR121 Push-Pull Output Application Circuit

The output voltage on the RR121 is active low, meaning that while a sufficiently strong magnetic field is present, the output voltage is low. The output voltage can be connected to a digital I/O pin on a microcontroller. A decoupling capacitor between the supply voltage and ground is required with placement close to the magnetic sensor. A typical capacitor value of  $1.0\text{ }\mu\text{F}$  will suffice.

## 27 Part Selection and Ordering Information

### 27.1 Part Selection Table

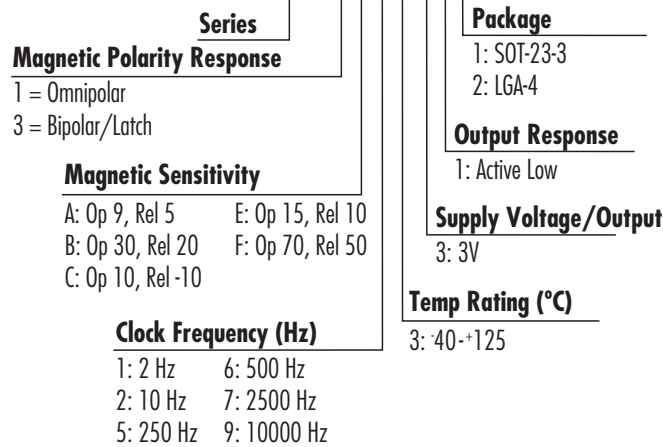
Part Number	Magnetic Polarity Response	Operate Sensitivity (G)	Release Sensitivity (G)	Frequency (Hz)	I <sub>avg</sub> (μA)	Temp. Rating (°C)	Supply Voltage (V <sub>dd</sub> )	Output Response	Package
RR121-1B13-312	Omnipolar	30	20	2	0.20	-40 - +125	2.7 - 3.6	Active Low	LGA-4
RR121-1B13-311	Omnipolar	30	20	2	0.20	-40 - +125	2.7 - 3.6	Active Low	SOT-23-3
RR121-1B53-311	Omnipolar	30	20	250	1.44	-40 - +125	2.7 - 3.6	Active Low	SOT-23-3
RR121-1A23-311	Omnipolar	9	5	10	0.24	-40 - +125	2.7 - 3.6	Active Low	SOT-23-3
RR121-3C63-311	Bipolar	10	-10	500	1.70	-40 - +125	2.7 - 3.6	Active Low	SOT-23-3
RR121-1F23-311	Omnipolar	70	50	10	0.24	-40 - +125	2.7 - 3.6	Active Low	SOT-23-3
RR121-1A53-311	Omnipolar	9	5	250	1.44	-40 - +125	2.7 - 3.6	Active Low	SOT-23-3
RR121-1E73-311	Omnipolar	15	10	2500	8	-40 - +125	2.7 - 3.6	Active Low	SOT-23-3
RR121-1B93-312	Omnipolar	30	20	10000	36	-40 - +125	2.7 - 3.6	Active Low	LGA-4

**Note:**

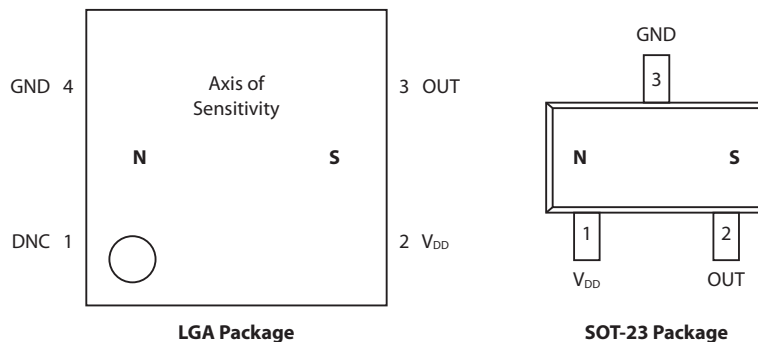
1. Custom options available for Sensitivity, Frequency, Temperature Rating, Supply Voltage, Output Response & more. Please contact redrock@cotorelay.com for more details.

### 27.2 Device Nomenclature

#### Ordering Information

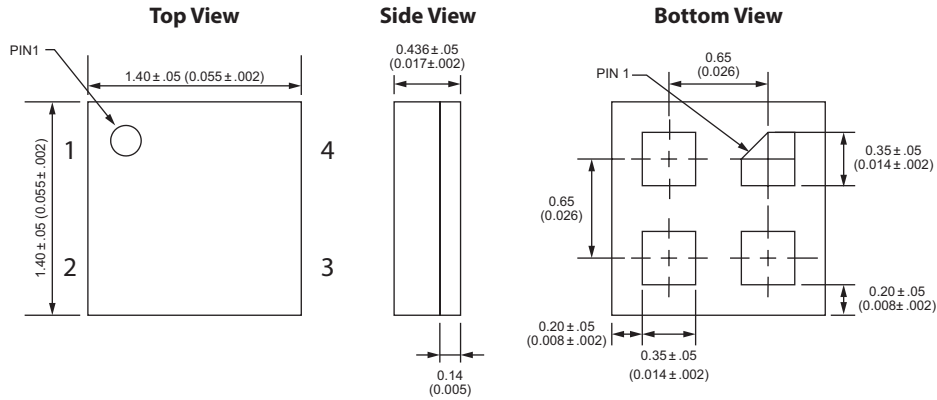
**RR121-X X X 3-YYY**


## 28 Axis of Sensitivity

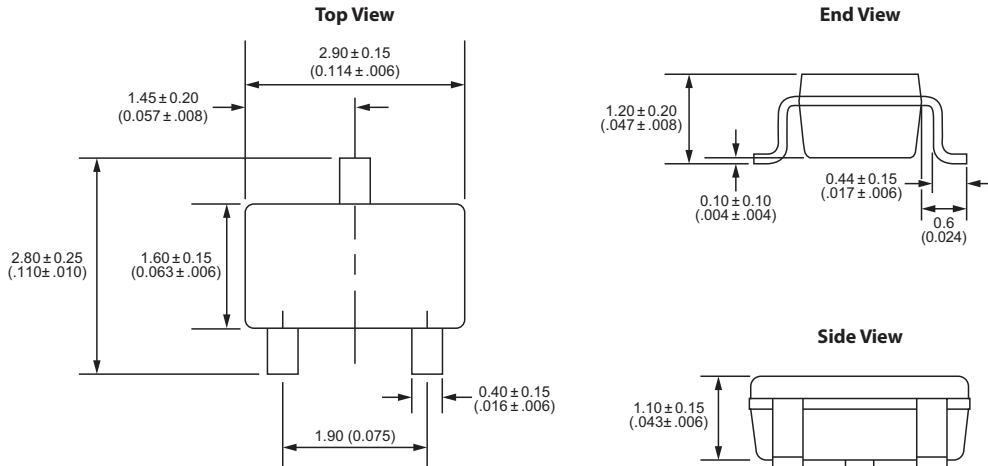


29 Dimensions *Millimeters (Inches)*

29.1 LGA-4 Package

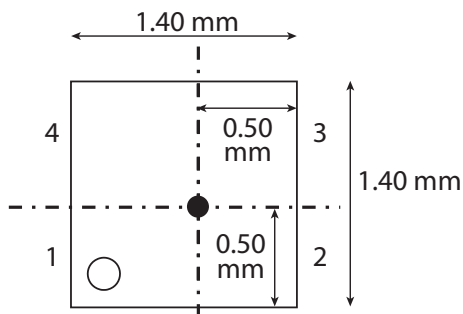


29.2 SOT-23-3 Package

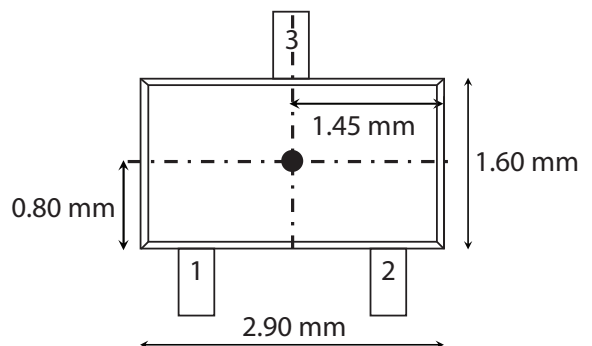


30 TMR Sensor Location

30.1 LGA Package

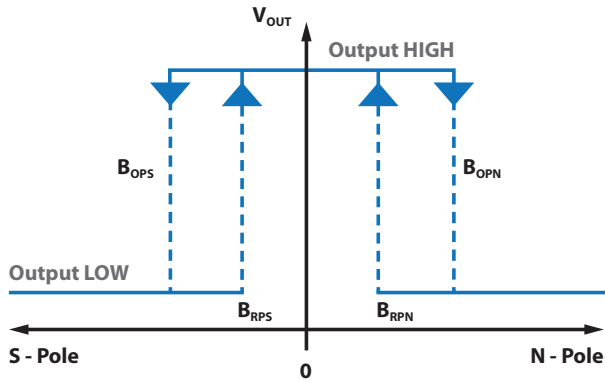


30.2 SOT Package

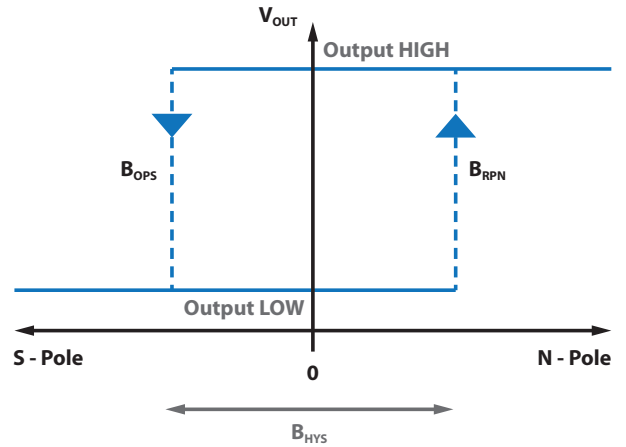


### 31 Magnetic Flux Response Diagrams

**31.1 Omnipolar Magnetic Flux Response (Active Low Option)**



**31.2 Bipolar Magnetic Flux Response (Active Low Option)**



### 32 Output Behavior vs. Magnetic Field Diagrams

**32.1 Output Behavior vs. Magnetic Field - Omnipolar**

Characteristics	Conditions	Output
South Pole	$B < B_{OPS}$ $0 > B > B_{RPS}$	Low (ON) High (OFF)
North Pole	$B > B_{OPN}$ $0 < B < B_{RPN}$	Low (ON) High (OFF)

**32.2 Output Behavior vs. Magnetic Field - Bipolar**

Characteristics	Conditions	Output
South Pole	$B < B_{OPS}$	Low (ON)
North Pole	$B > B_{RPN}$	High (OFF)

### 33TMR Sensor & Switch Packaging

#### 33.1 SOT-23-3 Tape & Reel Packaging

Standard packaging is Tape & Reel containing 3,000 pieces. MSL Rating is 1.

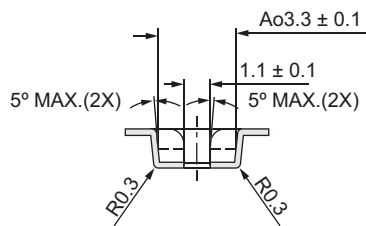
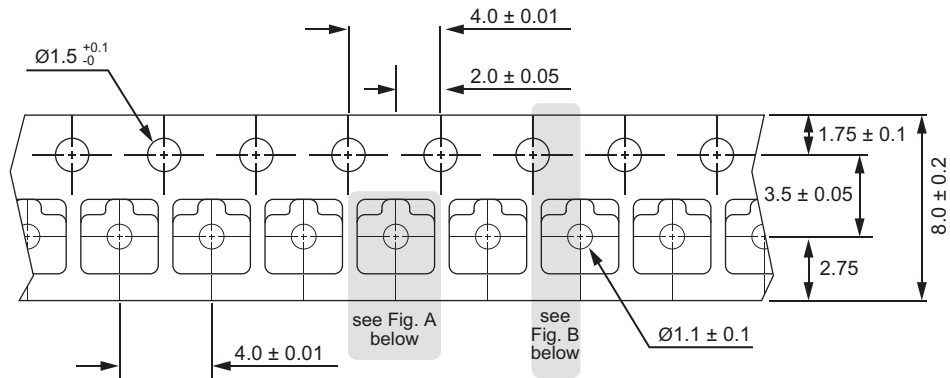


Fig. A

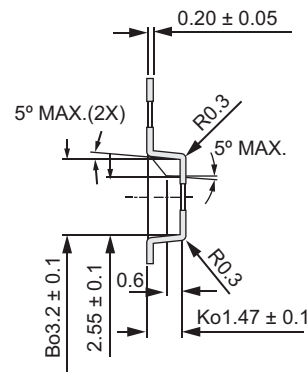
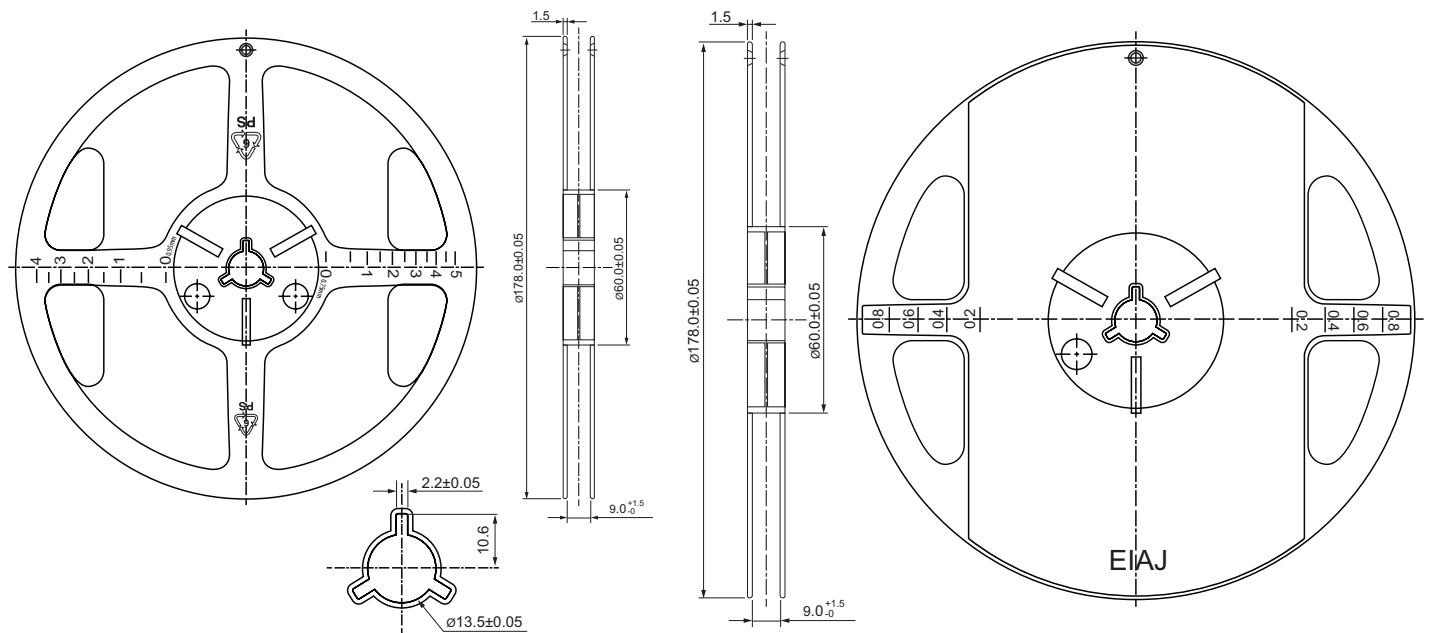


Fig. B

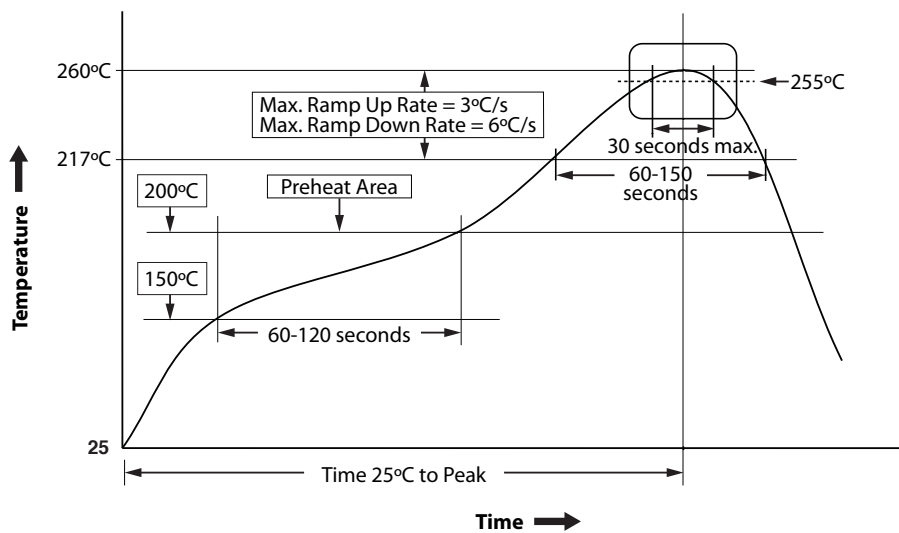






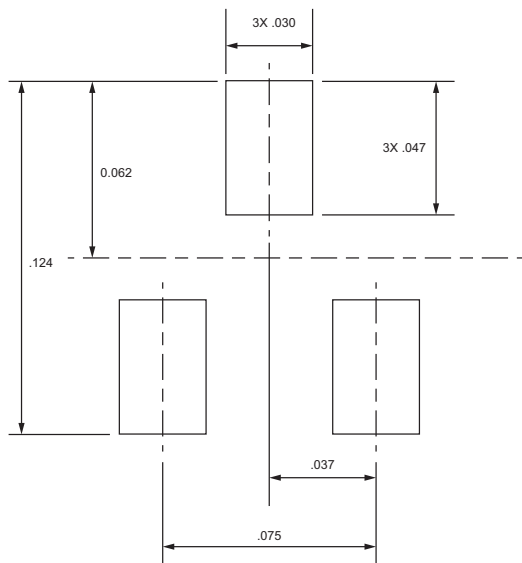
### 34 Suggested Pb-Free Reflow Profile

- Notes:**
1. Fully compatible with standard no-lead solder profile, 260 °C for 30 seconds max (3 cycles max).
  2. Profile shown as example. Users are advised to develop their own board-level profile.
  3. Suggested Pb-free reflow profile derived from IPC/JEDEC J-STD-020E.
  4. Temperature tolerance: +0 °C, as measured at any point on the package or leads
  5. MSL rating of 1 (SOT-23-3 only) compatible with J-STD-020 or equivalent.
  6. MSL rating of 3 (LGA-4 only) compatible with J-STD-020 or equivalent.
  7. All temperatures refer to the center of the package, measured on the package body surface that is facing up during assembly reflow (e.g., live-bug). If parts are reflowed in other than the normal live bug assembly reflow orientation (i.e., dead-bug),  $T_p$  shall be within  $\pm 2$  °C of the live bug  $T_p$  and still meet the  $T_c$  requirements, otherwise, the profile shall be adjusted to achieve the latter. To accurately measure actual peak package body temperatures, refer to JEP140 for recommended thermocouple use.
  8. Reflow profiles in this document are for classification/preconditioning and are not meant to specify board assembly profiles. Actual board assembly profiles should be developed based on specific process needs and board designs and should not exceed the parameters in this table.



### 35 Suggested Solder Pad Layout

#### 35.1 SOT -23-3 Solder Pad Layout



#### 35.2 LGA-4 Solder Pad Layout

