



Chipsmall Limited consists of a professional team with an average of over 10 year of expertise in the distribution of electronic components. Based in Hongkong, we have already established firm and mutual-benefit business relationships with customers from,Europe,America and south Asia,supplying obsolete and hard-to-find components to meet their specific needs.

With the principle of “Quality Parts,Customers Priority,Honest Operation,and Considerate Service”,our business mainly focus on the distribution of electronic components. Line cards we deal with include Microchip,ALPS,ROHM,Xilinx,Pulse,ON,Everlight and Freescale. Main products comprise IC,Modules,Potentiometer,IC Socket,Relay,Connector.Our parts cover such applications as commercial,industrial, and automotives areas.

We are looking forward to setting up business relationship with you and hope to provide you with the best service and solution. Let us make a better world for our industry!



Contact us

Tel: +86-755-8981 8866 Fax: +86-755-8427 6832

Email & Skype: info@chipsmall.com Web: www.chipsmall.com

Address: A1208, Overseas Decoration Building, #122 Zhenhua RD., Futian, Shenzhen, China



RS485MS-2W

Communication Module



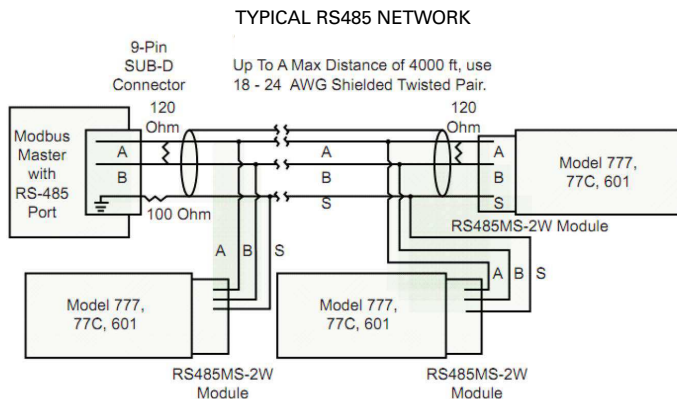
Description

The RS485MS-2W is required to enable the Modbus communications function on Model 77x-type products. This module is required when the RM1000, RM2000 or other Modbus capable device is used with 77x-type products.

Features

- Optical isolation from line potentials
- Powered by the 77x product
- RS-485 compliant bus drive capability
- Remote reset input connection
- Power connection for the Model RM1000

Wiring Diagram



Accessories



RS485-RS232 Converter with cable & plug

Allows RS485 devices to be connected to a PC via the RS232 (serial) port. Provides convenient terminal blocks for making signal and DC power supply connections. Pre-wired.



RS485-USB Converter with cable & plug/RS232:USB

Allows RS485 devices to be connected to a PC via the USB port. Provides convenient terminal blocks for making signal and DC power supply connections. Pre-wired.

Refer to the manual for basic and extended network diagrams.

Specifications

Functional Specifications

Remote Reset (for optional use with 777 Series) Normally open pushbutton rated 24VDC, 10mA (min.)

General Characteristics

Ambient Operating Temperature -20° to 50°C (-4° to 122°F)

Terminal (depluggable terminal block)

Torque 3 in.-lbs. (max.)

Wire AWG 12-20 AWG

Class of Protection IP20

Relative Humidity 10-95%, non-condensing per IEC 68-2-3

Standards Passed

Electrostatic Discharge (ESD) IEC 61000-4-2, Level 3, 6kV contact, 8kV air

Radio Frequency Immunity, Radiated 150 MHz, 10V/m

Fast Transient Burst IEC 61000-4-4, Level 3, 4kV input power

Hi-Potential Test Meets UL508 (2 x rated V + 1000V for 1 min)

Surge

Input Power IEC 61000-4-5, Level 1

Inputs/Data Lines IEC 61000-4-5, Level 2

Safety Marks

UL UL508 (File #E68520)

CE IEC 60947

Enclosure Polycarbonate

Dimensions **H** 52.83 mm (2.08"); **W** 73.66 mm (2.9"); **D** 19.56 mm (.77")

Weight 0.26 lb. (4.16oz., 117.93 g)

Mounting Method 9-pin D-Sub connector on the side of a 777-Series