



Chipsmall Limited consists of a professional team with an average of over 10 year of expertise in the distribution of electronic components. Based in Hongkong, we have already established firm and mutual-benefit business relationships with customers from,Europe,America and south Asia,supplying obsolete and hard-to-find components to meet their specific needs.

With the principle of “Quality Parts,Customers Priority,Honest Operation,and Considerate Service”,our business mainly focus on the distribution of electronic components. Line cards we deal with include Microchip,ALPS,ROHM,Xilinx,Pulse,ON,Everlight and Freescale. Main products comprise IC,Modules,Potentiometer,IC Socket,Relay,Connector.Our parts cover such applications as commercial,industrial, and automotives areas.

We are looking forward to setting up business relationship with you and hope to provide you with the best service and solution. Let us make a better world for our industry!



## Contact us

Tel: +86-755-8981 8866 Fax: +86-755-8427 6832

Email & Skype: info@chipsmall.com Web: www.chipsmall.com

Address: A1208, Overseas Decoration Building, #122 Zhenhua RD., Futian, Shenzhen, China



# RS Series

## RS8

### 8-Pin Octal-Type Socket Assemblies

#### Specifications:

**Rating:** 10 amps, 250 volts

**Track:** TR2

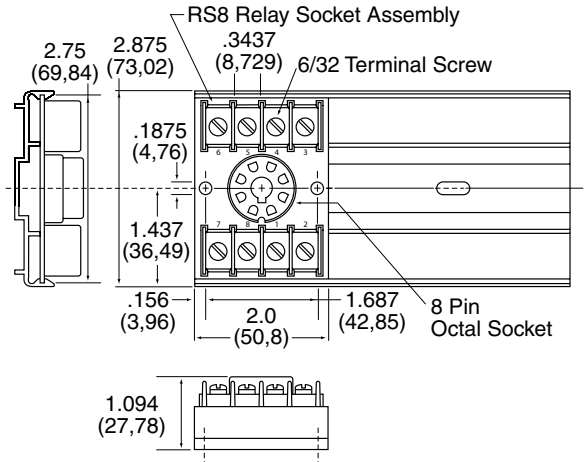
48" length holds up to 24 sockets

**No. of Terminals:** RS8 – No. 6-32 screws, 7/16" center-to-center spacing



**Wire:** RS8 – up to No. 12 AWG (lugs are recommended on wire larger than No. 16AWG)

**Sockets:** 8-pin octal receptacle to accept standard 2PDT chamber allows relays to be rocked out without danger of damaging relay center posts. PC board has center post clearance hole to allow relays with screws in center post. Phosphor bronze contacts for better pin contact and retention.



## RS11

### 11-Pin Octal-Type Socket Assemblies

#### Specifications:

**Rating:** 10 amps, 250 volts

**Track:** TR2

48" length holds up to 16 sockets

**No. of Terminals:** RS11 – No. 6-32 screws, 7/16" center-to-center spacing

**Wire:** RS11 – up to No. 12 AWG (lugs are recommended on wire larger than No. 16AWG)

**Sockets:** 11-pin octal receptacle to accept 3PDT chamber allows relays. Refer to RS8 socket for features.

