



Chipsmall Limited consists of a professional team with an average of over 10 year of expertise in the distribution of electronic components. Based in Hongkong, we have already established firm and mutual-benefit business relationships with customers from,Europe,America and south Asia,supplying obsolete and hard-to-find components to meet their specific needs.

With the principle of “Quality Parts,Customers Priority,Honest Operation,and Considerate Service”,our business mainly focus on the distribution of electronic components. Line cards we deal with include Microchip,ALPS,ROHM,Xilinx,Pulse,ON,Everlight and Freescale. Main products comprise IC,Modules,Potentiometer,IC Socket,Relay,Connector.Our parts cover such applications as commercial,industrial, and automotives areas.

We are looking forward to setting up business relationship with you and hope to provide you with the best service and solution. Let us make a better world for our industry!



Contact us

Tel: +86-755-8981 8866 Fax: +86-755-8427 6832

Email & Skype: info@chipsmall.com Web: www.chipsmall.com

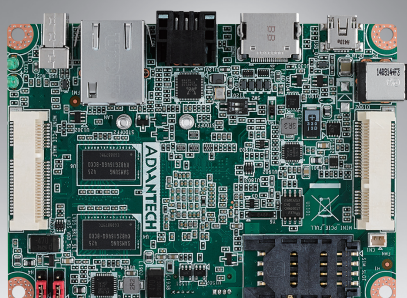
Address: A1208, Overseas Decoration Building, #122 Zhenhua RD., Futian, Shenzhen, China



RSB-3410

NXP ARM® Cortex®-A9 i.MX6 2.5" SBC

NEW



Features

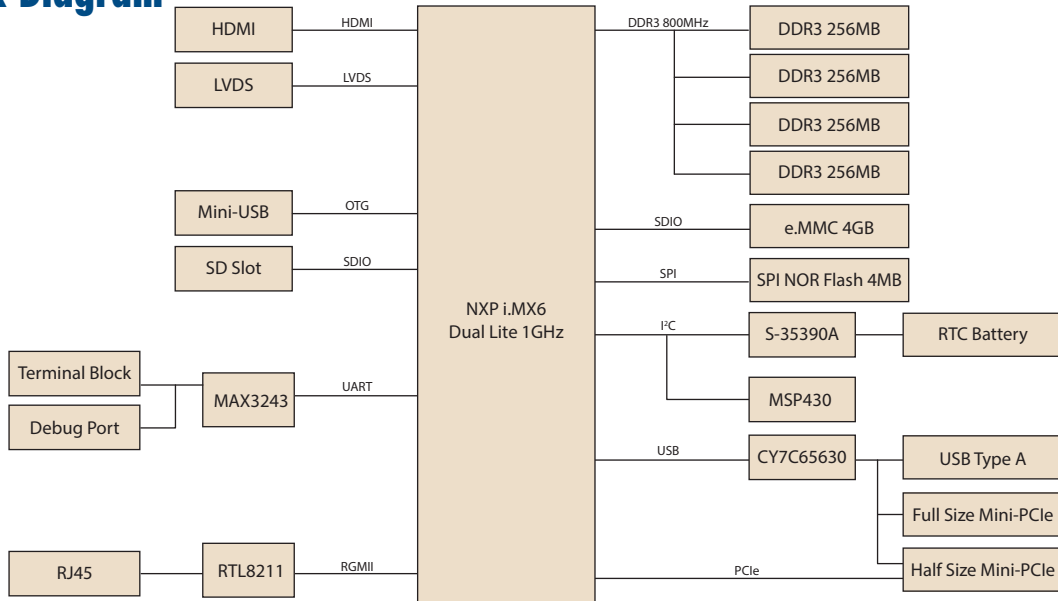
- NXP ARM® Cortex®-A9 i.MX6 Dual Lite 1 GHz
- Onboard DDR3 1 GB, 800 MHz memory
- HDMI 1920x1080 at 60Hz, Single Channel 18/24 bit LVDS
- 1 4-wire UART, 1 USB 2.0, 1 USB OTG
- 2 mini-PCIe for WIFI/3G support
- Low power consumption, fanless design
- Supports Linux and Android



Specifications

Form Factor		2.5" SBC
Processor System	CPU	NXP i.MX6 Cortex-A9 Dual Lite 1 GHz
Memory	Technology	DDR3 800 MHz
	Capacity	On-board DDR3 1 GB
	Flash	4 GB eMMC Flash for O.S. and 4 MB NOR Flash for Advantech boot loader
Graphics	HDMI	1 HDMI, 1920 x 1080 at 60Hz
	LVDS	Single Channel 18/24 bit LVDS
	Graphics Engine	1 IPU, OpenGL ES 2.0 for 3D, BitBit for 2D and OpenVG 1.1
	H/W Video Codec	Decoder: MPEG-4 ASP, H.264 HP, H.263, MPEG-2 MP, MJPEG BP Encoder: MPEG-4 SP, H.264 BP, H.263, MJPEG BP
Ethernet	Chipset	NXP i.MX6 integrated RGMII
	Speed	1 10/100/1000 Mbps
WatchDog Timer	WatchDog Timer	1~6553s, power on/off 4s
I/O	USB	1 USB 2.0 Host
	USB OTG	1 USB 2.0 OTG
	SDIO	1 SD Slot
	Serial Port	1 4-wire RS-232 (Tx, Rx, RTS, CTS)
Indicator	LED	1 Green LED for the system power 1 Green LED (for user define)
	Expansion	
Expansion	Full Size Mini PCIe	1
	Half Size Mini PCIe	1
	SD Socket	1
	SIM Slot	1
Power	Power Supply Voltage	+12 V
	Power Type	DC-in
	Power Consumption	4.4W (Max)
Environment	Operating Temperature	0 ~ 60 °C
	Operating Humidity	5%~95% Relative Humidity, non-condensing
Mechanical	Dimensions	100 x 72 x 19 mm
	Weight	210g
Operation System		Linux & Android
Certifications		CE/FCC Class B

Block Diagram



Ordering Information

Part No.	CPU	Memory	Flash Memory	HDMI	VGA	LVDS	LAN	Serial Port	SATA	USB Host	System bus	SD	CANbus	Operating Temperature
RSB-3410DL-MDA1E	NXP i.MX6 Dual Lite 1 GHz	1 GB	4 GB	1	-	1	1	1 x 4 wire RS-232	-	1 USB2.0 1 OTG	-	1	-	0 ~ 60 °C

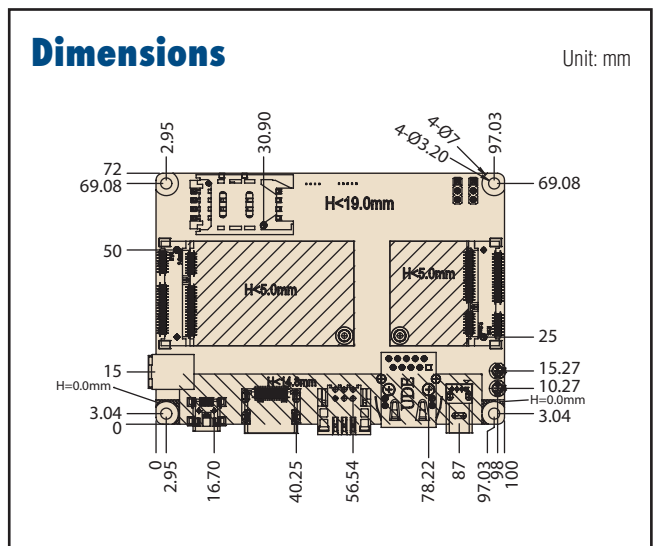
Packing List

Part Number	Description
9696341000E	RSB-3410 2.5" SBC
1652006794-01	Terminal Block 6 Pin

Optional Accessories

Part Number	Description
96PSA-A36W12R1	ADAPTER 100-240V 36W 12V 3A
SQF-ISDS1-2G-86E	SQFlash SD card SLC 2G, 1CH (-40 ~ 85 °C)
EWM-W142F01E	802.11 b/g/n, AR9287, 2T2R, Full size Mini PCIe
EWM-W151H01E	Advantech 802.11bgn RTL8188EE 1T1R, 1-connector
EWM-C106FT02E	HSPA/WCDMA/GPRS Cellular module
1750006043	Cable R/P SMA (M) to MHF 1.32 150mm (Wi-Fi Cable)
1750000318	EMI Antenna 2DBI 2.4GHz SMA CONN for ARK-3384 (Wi-Fi Antenna)
1750006264	Antenna SMA(F)/MHF 15cm SMALFN8-3150A-00X00R (3G Cable)
1750005865	Antenna L 10.9cm 500hm AN8921F-5701SM (3G Antenna)
1700001524	Power Cord 3P UL 10A 125V 180cm
170203183C	Power Cord 3P Europe (WS-010+WS-083)183cm
170203180A	Power Cord 3P UK 2.5A/3A 250V 1.83m
1700008921	Power Cord 3P PSE 183cm

Dimensions



External I/O

