



Chipsmall Limited consists of a professional team with an average of over 10 year of expertise in the distribution of electronic components. Based in Hongkong, we have already established firm and mutual-benefit business relationships with customers from,Europe,America and south Asia,supplying obsolete and hard-to-find components to meet their specific needs.

With the principle of "Quality Parts,Customers Priority,Honest Operation,and Considerate Service",our business mainly focus on the distribution of electronic components. Line cards we deal with include Microchip,ALPS,ROHM,Xilinx,Pulse,ON,Everlight and Freescale. Main products comprise IC,Modules,Potentiometer,IC Socket,Relay,Connector.Our parts cover such applications as commercial,industrial, and automotives areas.

We are looking forward to setting up business relationship with you and hope to provide you with the best service and solution. Let us make a better world for our industry!



Contact us

Tel: +86-755-8981 8866 Fax: +86-755-8427 6832

Email & Skype: info@chipsmall.com Web: www.chipsmall.com

Address: A1208, Overseas Decoration Building, #122 Zhenhua RD., Futian, Shenzhen, China



THIS COPY IS PROVIDED ON A RESTRICTED BASIS AND IS NOT TO BE USED IN ANY WAY DETRIMENTAL TO THE INTERESTS OF PANDUIT CORP.

| | |
|--------------------------------|--|
| Material | High Conductivity Seamless Copper Tube |
| Plating | Electro-finish |
| UL Listed Wire Connector | Yes, for applications up to 35kv. Consult cable manufacturer for voltage stress relief instructions with applications greater than 2000 volts. |
| UL Temperature Rating | 90° C |
| C.S.A Certified Wire Connector | Yes |

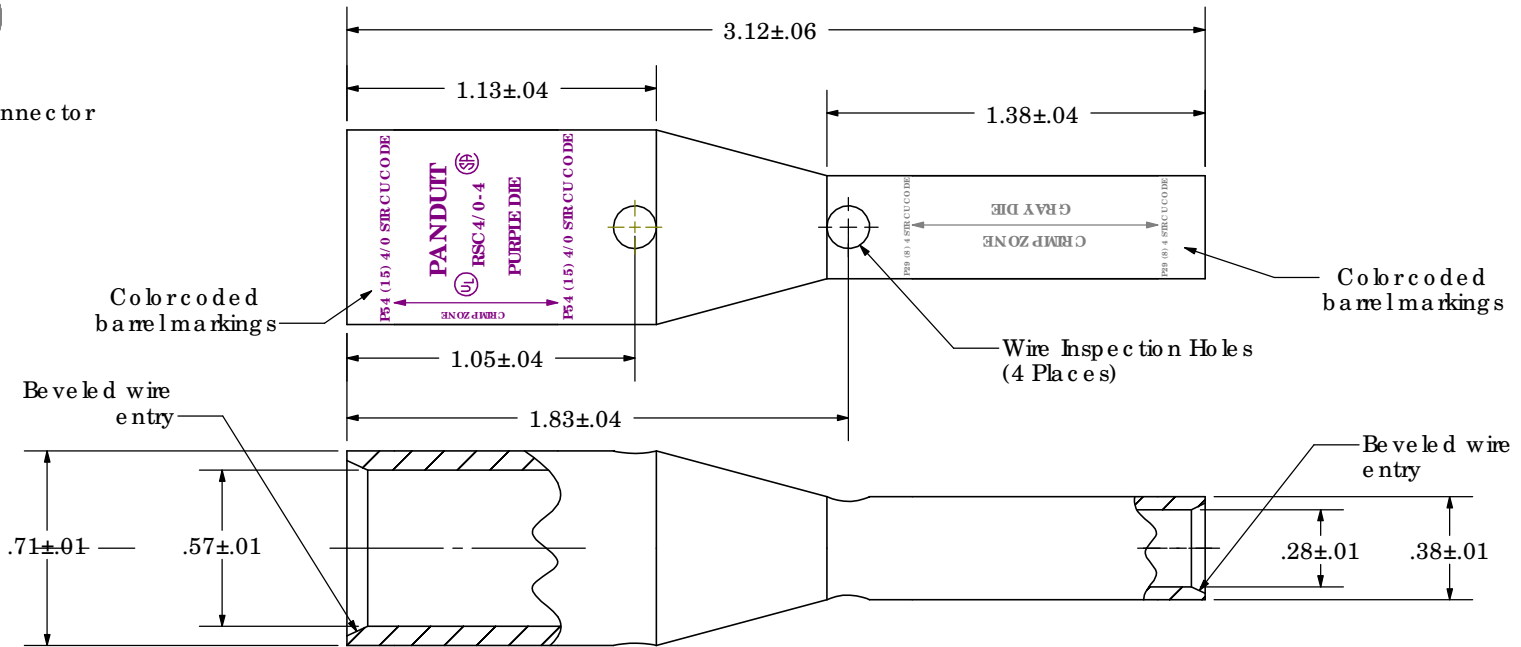
| | From | To |
|---|--|--|
| Wire Sizes | 4/0 AWG | 4-3 AWG STR & 2 AWG SOLID |
| Wire Types | Stranded Copper, Class B: Compact, Compressed or Concentric, Class C: Concentric | Stranded Copper, Class B: Compact, Compressed or Concentric, Class C: Concentric |
| Wire Strip Lengths | 1-1/16 in. | 1-5/16 in. |
| Panduit Color Code on Barrels | PURPLE | GRAY |
| Panduit Die Index No. on Barrels | P54 | P29 |
| Alternate Industry Die Index No. () on Barrels | (15) | (8) |



CERTIFIED

LISTED

Wire Connector



| REV | DATE | BY | CHK | DESCRIPTION | ECN |
|-----|------|------|------|-------------------------|-------|
| 03 | 3/04 | KLFU | KLFU | Wire size TO was: 4 AWG | 11644 |

PANDUIT CORP. TINLEY PARK, ILLINOIS

RSC 4/0-4-X
Copper Reducing Splice With Inspection Holes

SCALE N/A DRAWING NO / CAD FILE RSC_4_0-4-CUST