



Chipsmall Limited consists of a professional team with an average of over 10 year of expertise in the distribution of electronic components. Based in Hongkong, we have already established firm and mutual-benefit business relationships with customers from,Europe,America and south Asia,supplying obsolete and hard-to-find components to meet their specific needs.

With the principle of “Quality Parts,Customers Priority,Honest Operation,and Considerate Service”,our business mainly focus on the distribution of electronic components. Line cards we deal with include Microchip,ALPS,ROHM,Xilinx,Pulse,ON,Everlight and Freescale. Main products comprise IC,Modules,Potentiometer,IC Socket,Relay,Connector.Our parts cover such applications as commercial,industrial, and automotives areas.

We are looking forward to setting up business relationship with you and hope to provide you with the best service and solution. Let us make a better world for our industry!



Contact us

Tel: +86-755-8981 8866 Fax: +86-755-8427 6832

Email & Skype: info@chipsmall.com Web: www.chipsmall.com

Address: A1208, Overseas Decoration Building, #122 Zhenhua RD., Futian, Shenzhen, China



THIS COPY IS PROVIDED ON A RESTRICTED BASIS AND IS NOT TO BE USED IN ANY WAY DETRIMENTAL TO THE INTERESTS OF PANDUIT CORP.

Material	High Conductivity Seamless Copper Tube
Plating	Electro-Fin
UL Listed Wire Connector	Yes, for applications up to 35kv. Consult cable manufacturer for voltage stress relief instructions with applications greater than 2000 volts.
UL Temperature Rating	90° C
C.S.A Certified Wire Connector	Yes

	From	To
Wire Sizes	500 kcmil	4/0 AWG
Wire Types	Stranded Copper; Class B: Compact, Compressed or Concentric, Class C: Concentric	Stranded Copper Flex; Class I
Wire Strip Lengths	1-7/8 in.	1-7/16 in.
Panduit Color Code on Barel	BROWN	YELLOW
Panduit Die Index No. on Barel	P87	P62
Alternate Industry Die Index No. () on Barel	(20)	(16)

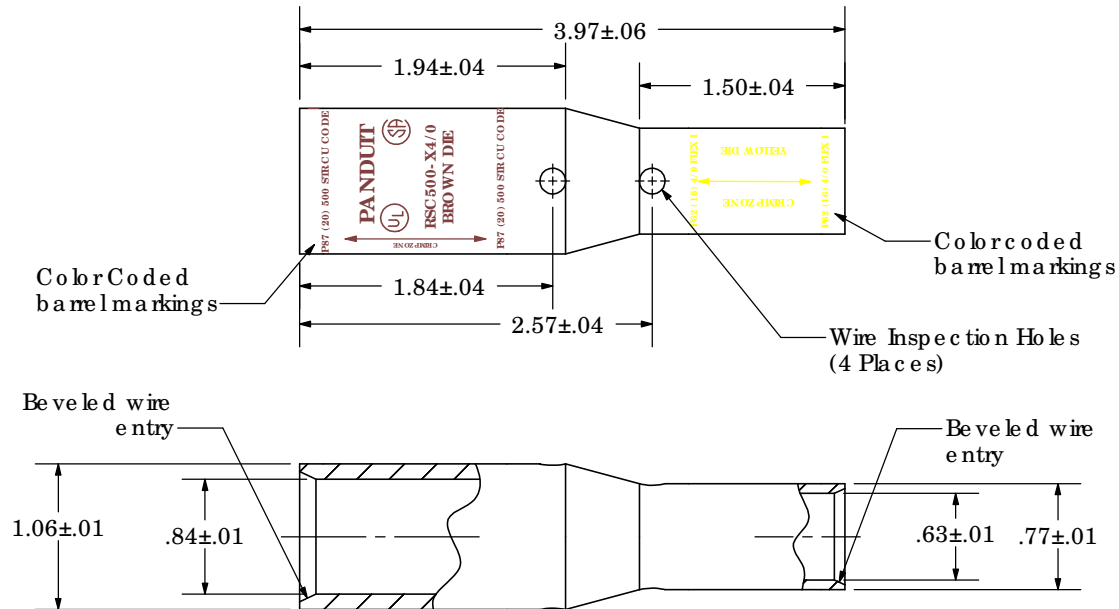


CERTIFIED



LISTED

Wire Connector



REV	DATE	BY	CHK	DESCRIPTION	ECN
02	2/04	JHNU	CSH	Removed dimension; added note.	11572

PANDUIT CORP. TINLEY PARK, ILLINOIS

RSC 500-X4/0-6
Copper Reducing Splice With Inspection Holes

SCALE N/A

DRAWING NO / CAD FILE

RSC 500-X4_0-CUST