



Chipsmall Limited consists of a professional team with an average of over 10 year of expertise in the distribution of electronic components. Based in Hongkong, we have already established firm and mutual-benefit business relationships with customers from,Europe,America and south Asia,supplying obsolete and hard-to-find components to meet their specific needs.

With the principle of “Quality Parts,Customers Priority,Honest Operation,and Considerate Service”,our business mainly focus on the distribution of electronic components. Line cards we deal with include Microchip,ALPS,ROHM,Xilinx,Pulse,ON,Everlight and Freescale. Main products comprise IC,Modules,Potentiometer,IC Socket,Relay,Connector.Our parts cover such applications as commercial,industrial, and automotives areas.

We are looking forward to setting up business relationship with you and hope to provide you with the best service and solution. Let us make a better world for our industry!



Contact us

Tel: +86-755-8981 8866 Fax: +86-755-8427 6832

Email & Skype: info@chipsmall.com Web: www.chipsmall.com

Address: A1208, Overseas Decoration Building, #122 Zhenhua RD., Futian, Shenzhen, China



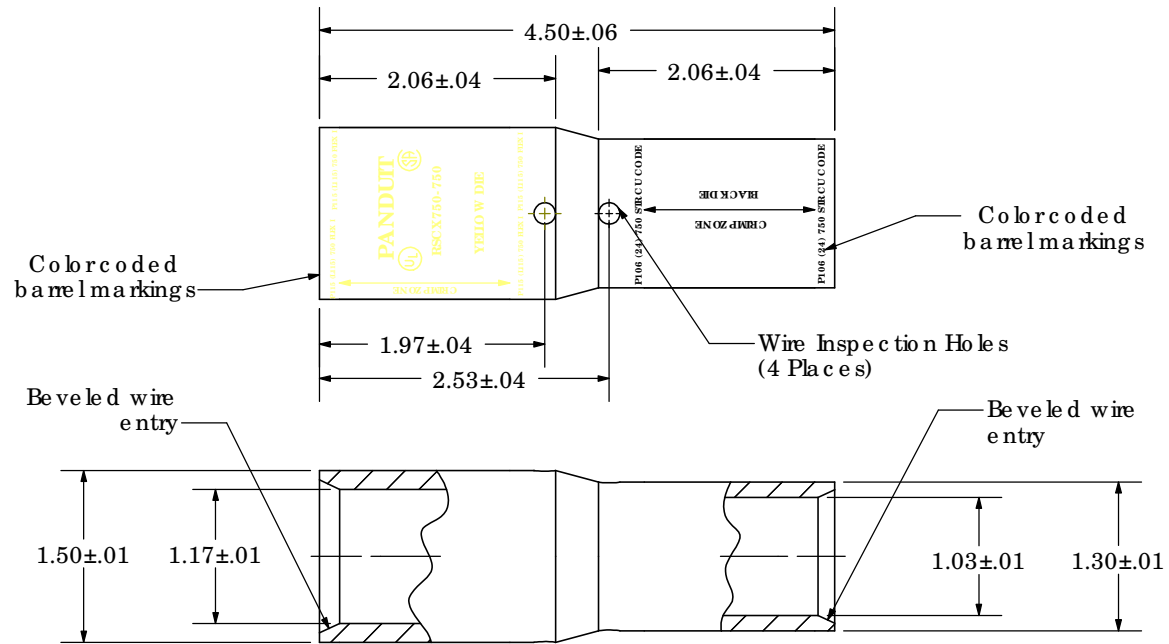
THIS COPY IS PROVIDED ON A RESTRICTED BASIS AND IS NOT TO BE USED IN ANY WAY DETRIMENTAL TO THE INTERESTS OF PANDUIT CORP.

Material	High Conductivity Seamless Copper Tube
Plating	Electro-finish
UL Listed Wire Connector	Yes, for applications up to 35kv. Consult cable manufacturer for voltage stress relief instructions with applications greater than 2000 volts.
UL Temperature Rating	90° C
C.S.A Certified Wire Connector	Yes

	From	To
Wire Sizes	750 kcmil	750 kcmil
Wire Types	Stranded Copper Flex; Class I	Stranded Copper; Class B: Compact, Compressed or Concentric, Class C: Concentric
Wire Strip Lengths	2.0 in.	2.0 in.
Panduit Color Code on Barrels	YELLOW	BLACK
Panduit Die Index No. on Barrels	P115	P106
Alternate Industry Die Index No. () on Barrels	(L115)	(24)



CERTIFIED LISTED Wire Connector



04	4/04	JHNU	CSH
REV	DATE	BY	CHK

Panduit Color Code on Barrel in "From" column was ORANGE; now YELLOW. Panduit Die Index No. on Barrel in "From" column was P107; now P115. Alternate Industry Die Index No. in "From" column was (25); now (L115).			
DESCRIPTION			

PANDUIT CORP. TINLEY PARK, ILLINOIS	
RSC X750-750-3	
Copper Reducing Splice With Inspection Holes	
11678	SCALE N/A
DRAWING NO / CAD FILE RSC X750-750-CUST	