



Chipsmall Limited consists of a professional team with an average of over 10 year of expertise in the distribution of electronic components. Based in Hongkong, we have already established firm and mutual-benefit business relationships with customers from,Europe,America and south Asia,supplying obsolete and hard-to-find components to meet their specific needs.

With the principle of “Quality Parts,Customers Priority,Honest Operation,and Considerate Service”,our business mainly focus on the distribution of electronic components. Line cards we deal with include Microchip,ALPS,ROHM,Xilinx,Pulse,ON,Everlight and Freescale. Main products comprise IC,Modules,Potentiometer,IC Socket,Relay,Connector.Our parts cover such applications as commercial,industrial, and automotives areas.

We are looking forward to setting up business relationship with you and hope to provide you with the best service and solution. Let us make a better world for our industry!



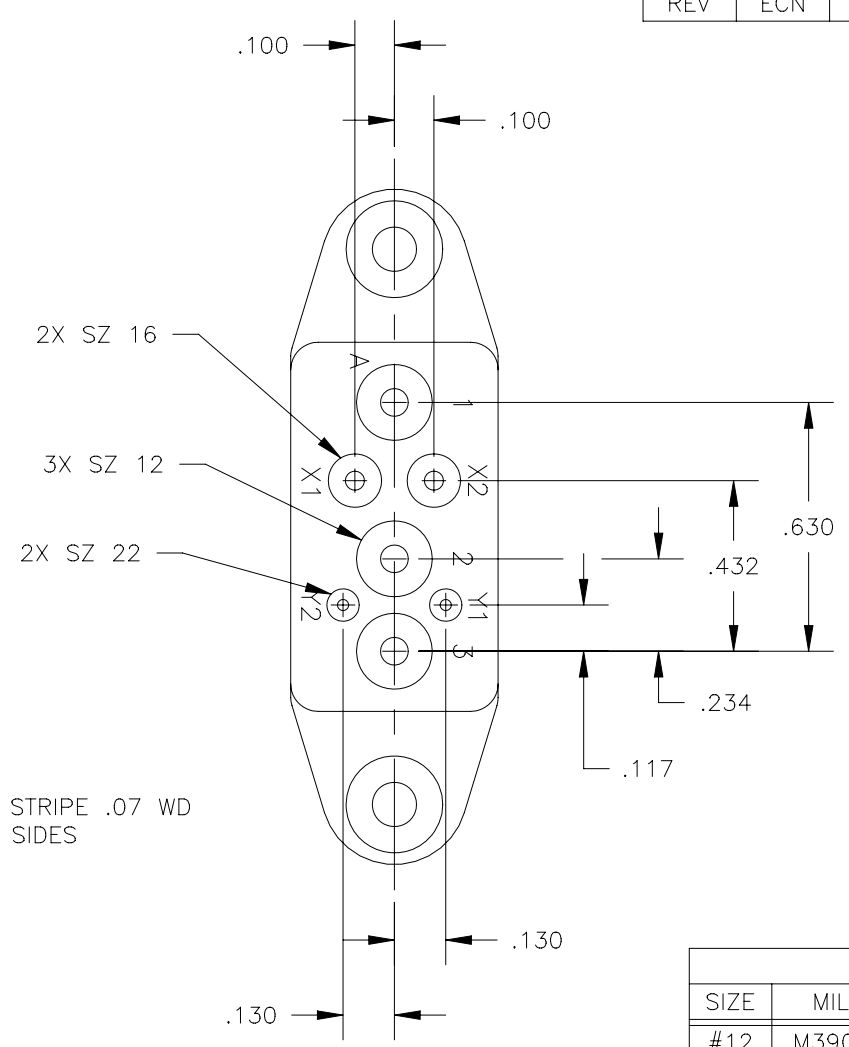
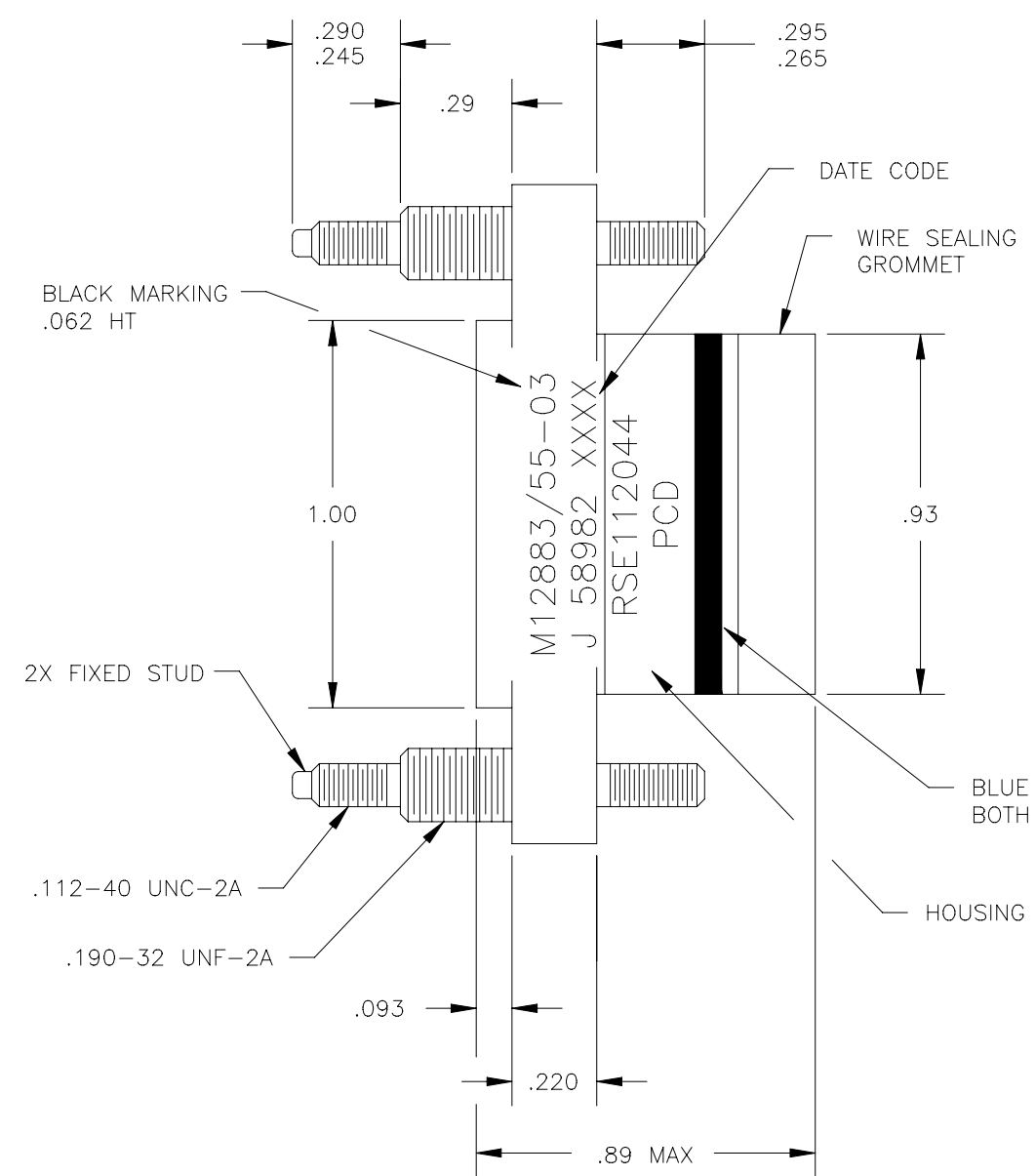
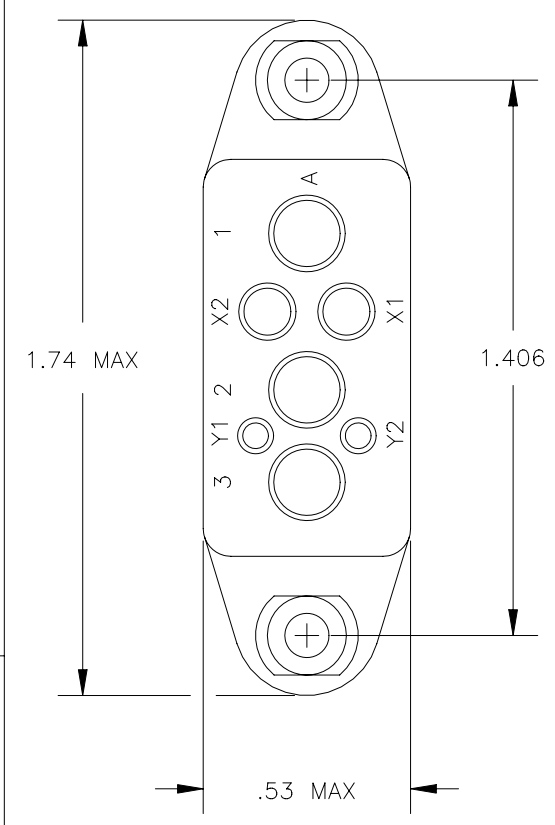
Contact us

Tel: +86-755-8981 8866 Fax: +86-755-8427 6832

Email & Skype: info@chipsmall.com Web: www.chipsmall.com

Address: A1208, Overseas Decoration Building, #122 Zhenhua RD., Futian, Shenzhen, China





SUPPLIED CONTACTS			
SIZE	MIL PART NO.	PCD PART NO.	QTY
#12	M39029/92-535	CNS128900	3
#16	M39029/92-533	CNS126900	2
#22	M39029/92-531	CNS115900	2

- NOTES:
- CONFORMS TO PERFORMANCE REQUIREMENTS OF MIL-PRF-12883.
 - MATERIALS:
HOUSING - POLYETHERIMIDE, COLOR: BLUE-GREEN
GROMMET - SILICONE RUBBER PER ZZ-R-765, 50±10 DUROMETER, COLOR: RED
 - SOCKET CONTACTS CONFORM TO PERFORMANCE REQUIREMENTS OF MIL-C-39029/92
 - COMPLETE MOUNTING HARDWARE SUPPLIED AS SHOWN.
 - OPERATING TEMPERATURE -70° C TO +125° C.
 - CONTACT INSTALLATION TOOLS:

	#12 CONTACT	#16 CONTACT	#22 CONTACT
CRIMP TOOL:	M22520/1-01	M22520/1-01	M22520/2-01
POSITIONER:	M22520/1-02	M22520/1-02	M22520/2-06
INSERTION/REMOVAL:	M81969/14-04	M81969/14-03	M81969/14-01

DIMENSIONS ANSI Y14.5M UNITS: INCHES ACAD FILE	TOLERANCES .XX ±.01 .XXX ±.005 ANGLES ±2°	PROJECTION 	REFERENCE SPECIFICATION M12883/55-03		TITLE RELAY SOCKET SIZE 12/16/22
			DRWN A. PATRIE 6/5/96		
ORIGINAL	THIS DOCUMENT CONTAINS PROPRIETARY INFORMATION WHICH IS THE CONFIDENTIAL PROPERTY OF PCD, INC. PEABODY, MA, USA		ENGR	SIZE B	DWG NO. RSE112044
			APPD J. RUTKOWSKI 8/9/96	CODE: 58982	SCALE: 2X
					SHEET 1 OF 1