



Chipsmall Limited consists of a professional team with an average of over 10 year of expertise in the distribution of electronic components. Based in Hongkong, we have already established firm and mutual-benefit business relationships with customers from,Europe,America and south Asia,supplying obsolete and hard-to-find components to meet their specific needs.

With the principle of “Quality Parts,Customers Priority,Honest Operation,and Considerate Service”,our business mainly focus on the distribution of electronic components. Line cards we deal with include Microchip,ALPS,ROHM,Xilinx,Pulse,ON,Everlight and Freescale. Main products comprise IC,Modules,Potentiometer,IC Socket,Relay,Connector.Our parts cover such applications as commercial,industrial, and automotives areas.

We are looking forward to setting up business relationship with you and hope to provide you with the best service and solution. Let us make a better world for our industry!



Contact us

Tel: +86-755-8981 8866 Fax: +86-755-8427 6832

Email & Skype: info@chipsmall.com Web: www.chipsmall.com

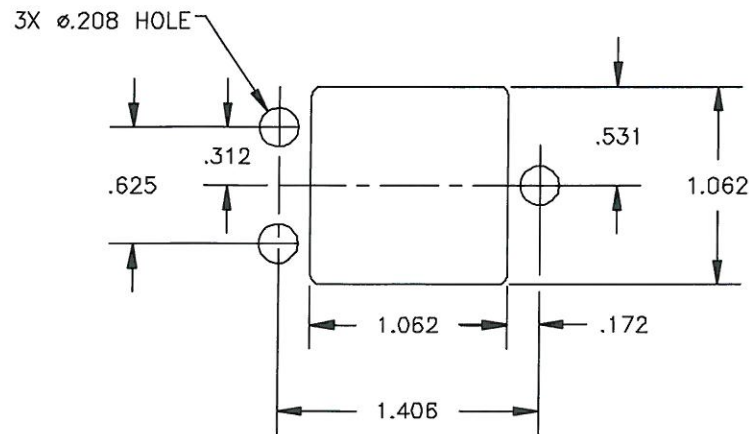
Address: A1208, Overseas Decoration Building, #122 Zhenhua RD., Futian, Shenzhen, China



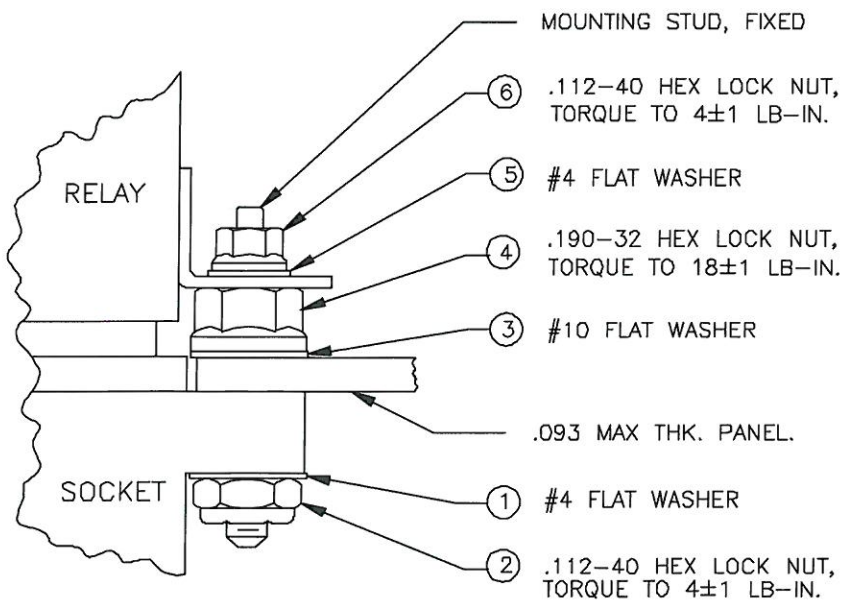
RSE112115

REV	ECN	APP'D
N	2949	
O	5430	JT 8/27/04
P	6686	<i>JT 4/1/11</i>

BILL OF MATERIALS		QTY		
P/N	DESCRIPTION	RSE112115	RSE112116	RSE112117
200002801	HEX NUT SLF LKG #4-40 #704	6	6	6
200002501	HEX NUT SLF LKG #10-32 MS21042	3	3	3
200002901	FLT WASHER #10 PSVTD #504	3	3	3
200003820	STL HEX NUT SLF LKG 4-40	6	6	6
005111400	3.5"DRAM UNCAPPED VIAL/CAP	1	-	1
CNS126900	M39029/92-533 CONTACT SZ16/16	2	-	2
CNS128900	M39029/92-535 CONTACT SZ12/12	-	-	9
CNS129900	M39029/92-536 CONTACT SZ12/16	9	-	-

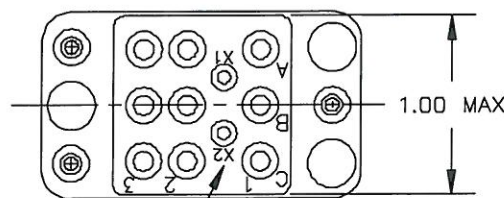
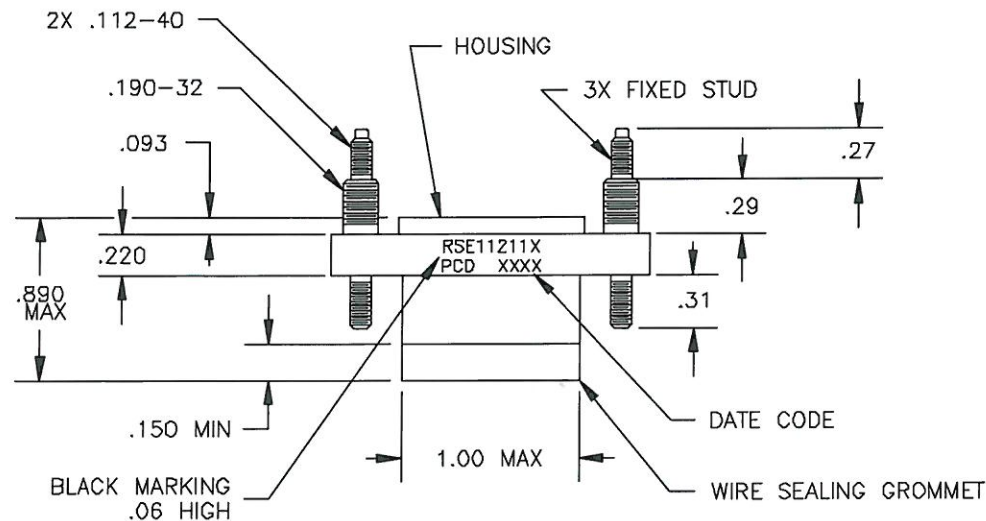


RECOMMENDED MOUNTING PANEL HOLE

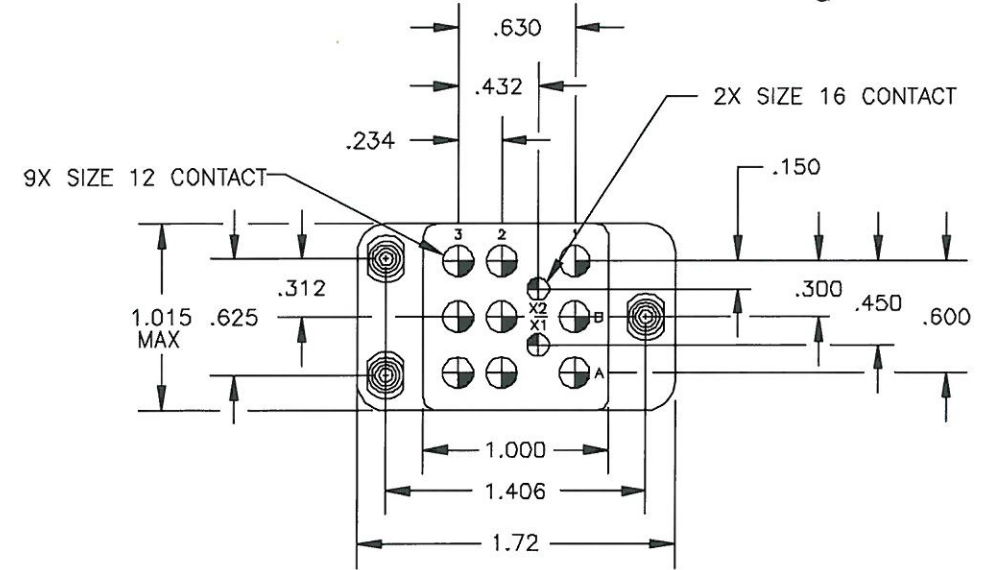


MOUNTING HARDWARE

INSTALLATION SEQUENCE BY ITEM NUMBER
TYP 3 PLACES



POSITION MARKING
COLOR: WHITE



- NOTES:
- CONFORMS TO PERFORMANCE REQUIREMENTS OF MIL-S-12883.
 - MATERIALS:
 - A. HOUSING - POLYETHERIMIDE, COLOR: BLUE-GREEN.
 - B. GROMMET - SILICONE ELASTOMER, COLOR: RED.
 - SOCKET CONTACTS CONFORM TO PERFORMANCE REQUIREMENTS OF MIL-C-39029, GOLD OVER NICKEL PLATE.
 - COMPLETE MOUNTING HARDWARE SUPPLIED.
 - OPERATING TEMPERATURE: +125°C/-65°C CONTINUOUS.
 - CONTACT INSTALLATION TOOLS:

	#12 CONTACT	#16 CONTACT
CRIMP TOOL:	M22520/1-01	M22520/1-01
POSITIONER:	M22520/1-02	M22520/1-02
INSERTION/REMOVAL:	M81969/14-04	M81969/14-03.

DIMENSIONS ANSI Y14.5M UNITS: INCHES ACAD FILE	TOLERANCES .XX ±.01 .XXX ±.005 ANGLES ±2°	PROJECTION 	SPECIFICATION DRAWING ENGR A. PATRIE 8/13/97 CHKD <i>[Signature]</i> 4/1/11 APPR <i>[Signature]</i> 4/1/11	SIZE B	DWG NO. RSE112115	REV P	TITLE FIXED STUD SIZE 12 & 16
ORIGINAL 	THIS DOCUMENT CONTAINS PROPRIETARY INFORMATION WHICH IS THE CONFIDENTIAL PROPERTY OF PCD, INC. PEABODY, MA, USA		CODE: 58982	SCALE: 1X	SHEET 1 OF 1		

RSE112115

RSE112115