



Chipsmall Limited consists of a professional team with an average of over 10 year of expertise in the distribution of electronic components. Based in Hongkong, we have already established firm and mutual-benefit business relationships with customers from,Europe,America and south Asia,supplying obsolete and hard-to-find components to meet their specific needs.

With the principle of “Quality Parts,Customers Priority,Honest Operation,and Considerate Service”,our business mainly focus on the distribution of electronic components. Line cards we deal with include Microchip,ALPS,ROHM,Xilinx,Pulse,ON,Everlight and Freescale. Main products comprise IC,Modules,Potentiometer,IC Socket,Relay,Connector.Our parts cover such applications as commercial,industrial, and automotives areas.

We are looking forward to setting up business relationship with you and hope to provide you with the best service and solution. Let us make a better world for our industry!



Contact us

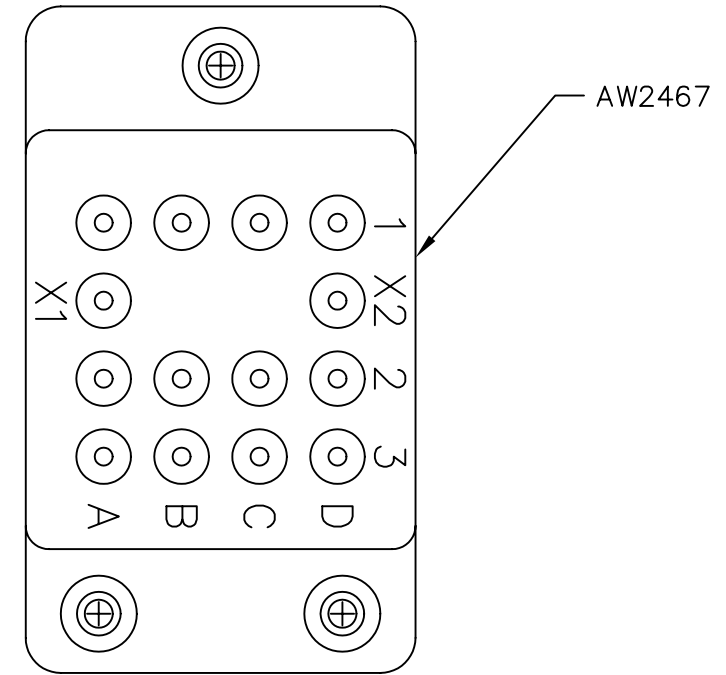
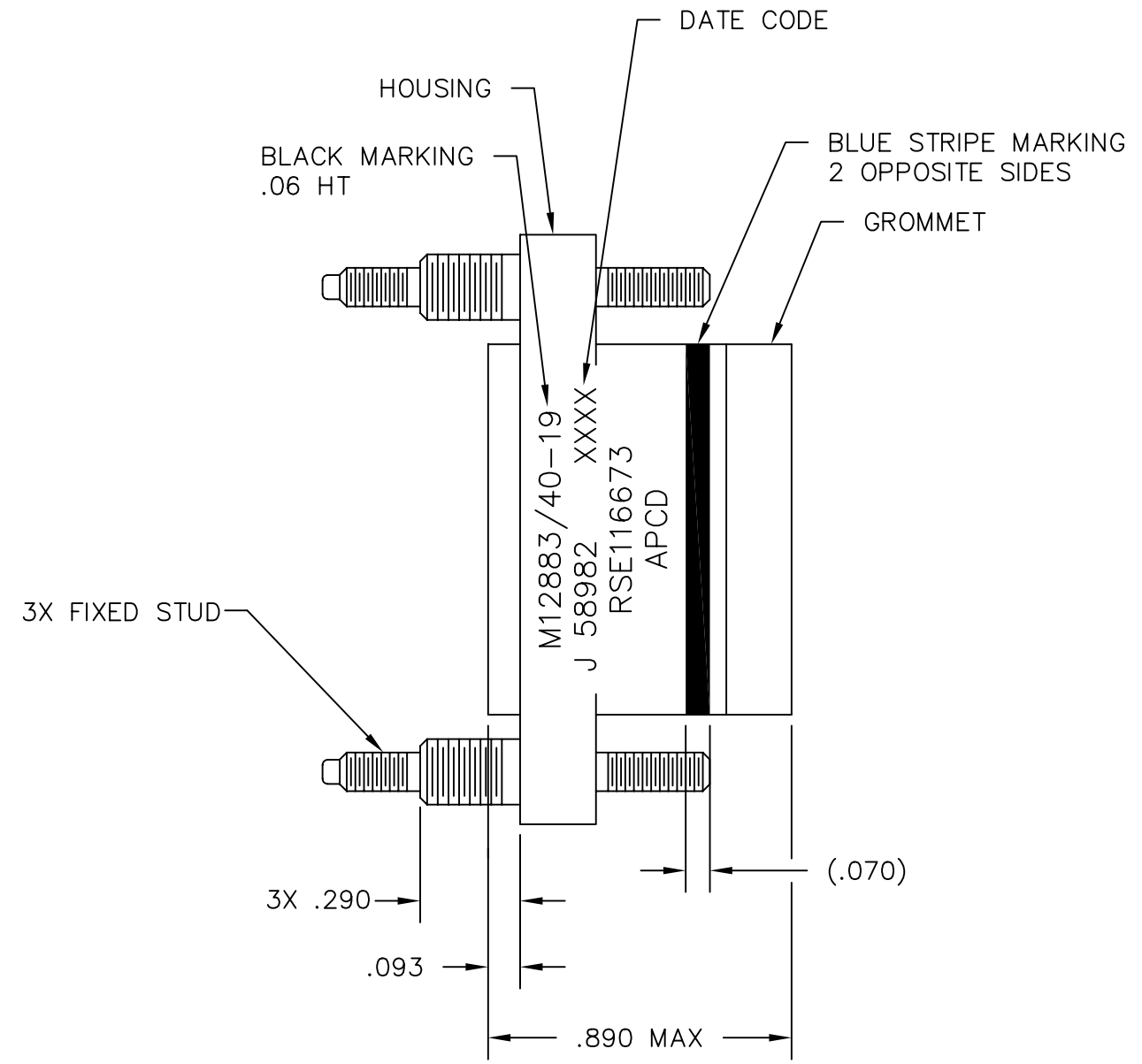
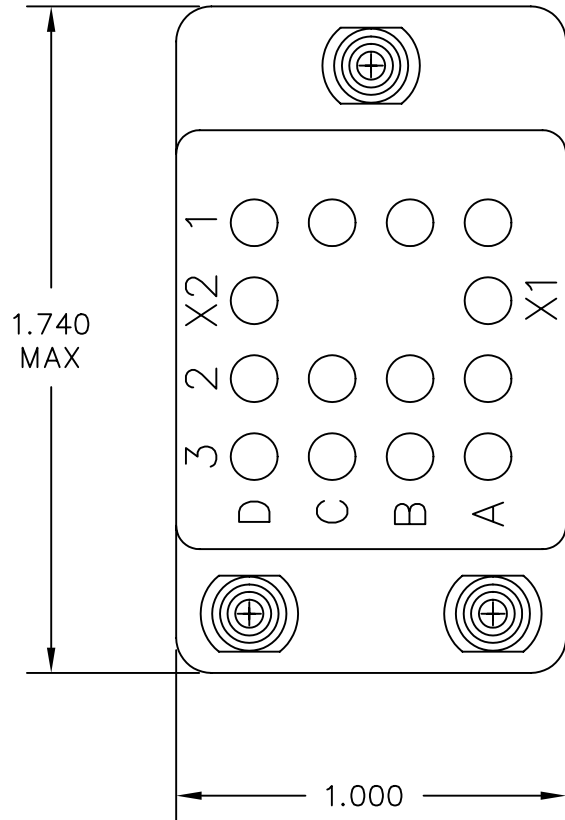
Tel: +86-755-8981 8866 Fax: +86-755-8427 6832

Email & Skype: info@chipsmall.com Web: www.chipsmall.com

Address: A1208, Overseas Decoration Building, #122 Zhenhua RD., Futian, Shenzhen, China



REV	ECN	DESCRIPTION	APP'D
J	2413	UPDATE FORMAT; ADD "J" DESIGNATION	JR 5/02/95
K	5754	NEW SILK SCREEN ARTWORK	



PART NO.	CONTACTS SUPPLIED	MARKING
RSE116672	NONE	RSE116673
RSE116673	(14) SIZE 16/16	

DIMENSIONS	TOLERANCES	PROJECTION	TITLE		
ANSI Y14.5M UNITS: INCHES ACAD FILE	.XX ±.01 .XXX ±.005 ANGLES ±2°		Amphenol Pcd RELAY SOCKET 14 POS - SIZE 16		
ORIGINAL NOT FOR CUSTOMER DISTRIBUTION	THIS DOCUMENT CONTAINS PROPRIETARY INFORMATION WHICH IS THE CONFIDENTIAL PROPERTY OF AMPHENOL PCD INC. PEABODY, MA				
			ENGR M. CALLA 5/16/91	SIZE B	DWG NO. RSE116672
			CHKD M. CALLA 5/16/91		REV K
			APPD D. SWAFFIELD 6/14/91	CODE: 58982	SHEET 1 OF 1
				SCALE: 2X	

RSE116672

RSE116672