



Chipsmall Limited consists of a professional team with an average of over 10 year of expertise in the distribution of electronic components. Based in Hongkong, we have already established firm and mutual-benefit business relationships with customers from,Europe,America and south Asia,supplying obsolete and hard-to-find components to meet their specific needs.

With the principle of "Quality Parts,Customers Priority,Honest Operation,and Considerate Service",our business mainly focus on the distribution of electronic components. Line cards we deal with include Microchip,ALPS,ROHM,Xilinx,Pulse,ON,Everlight and Freescale. Main products comprise IC,Modules,Potentiometer,IC Socket,Relay,Connector.Our parts cover such applications as commercial,industrial, and automotives areas.

We are looking forward to setting up business relationship with you and hope to provide you with the best service and solution. Let us make a better world for our industry!



Contact us

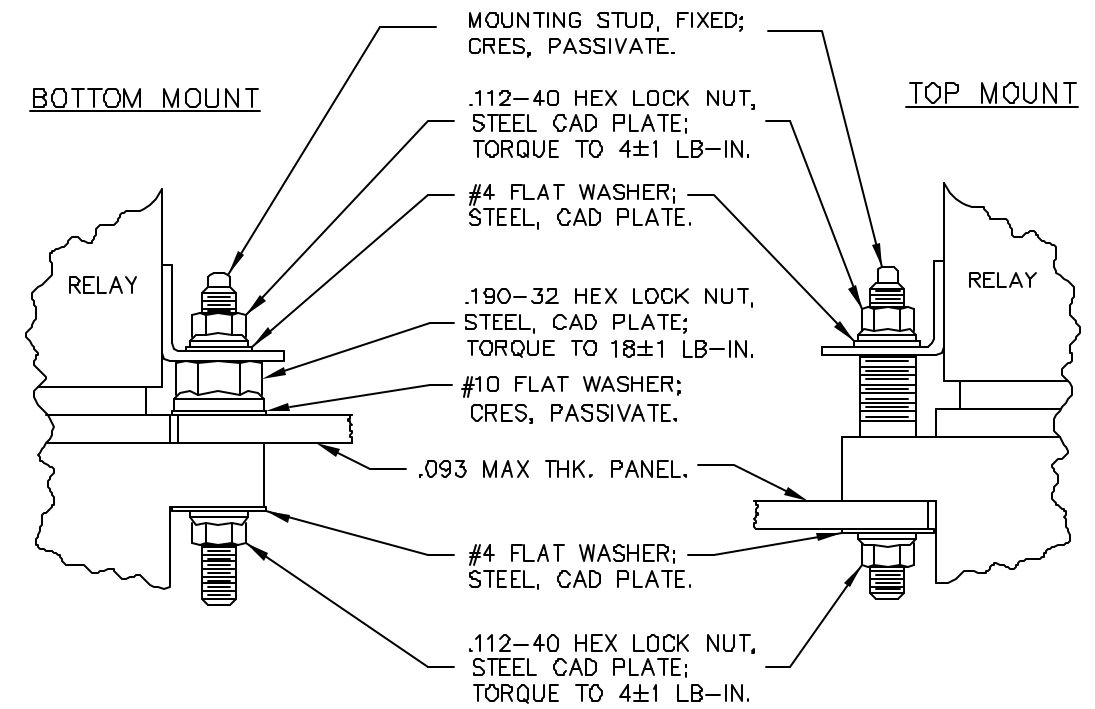
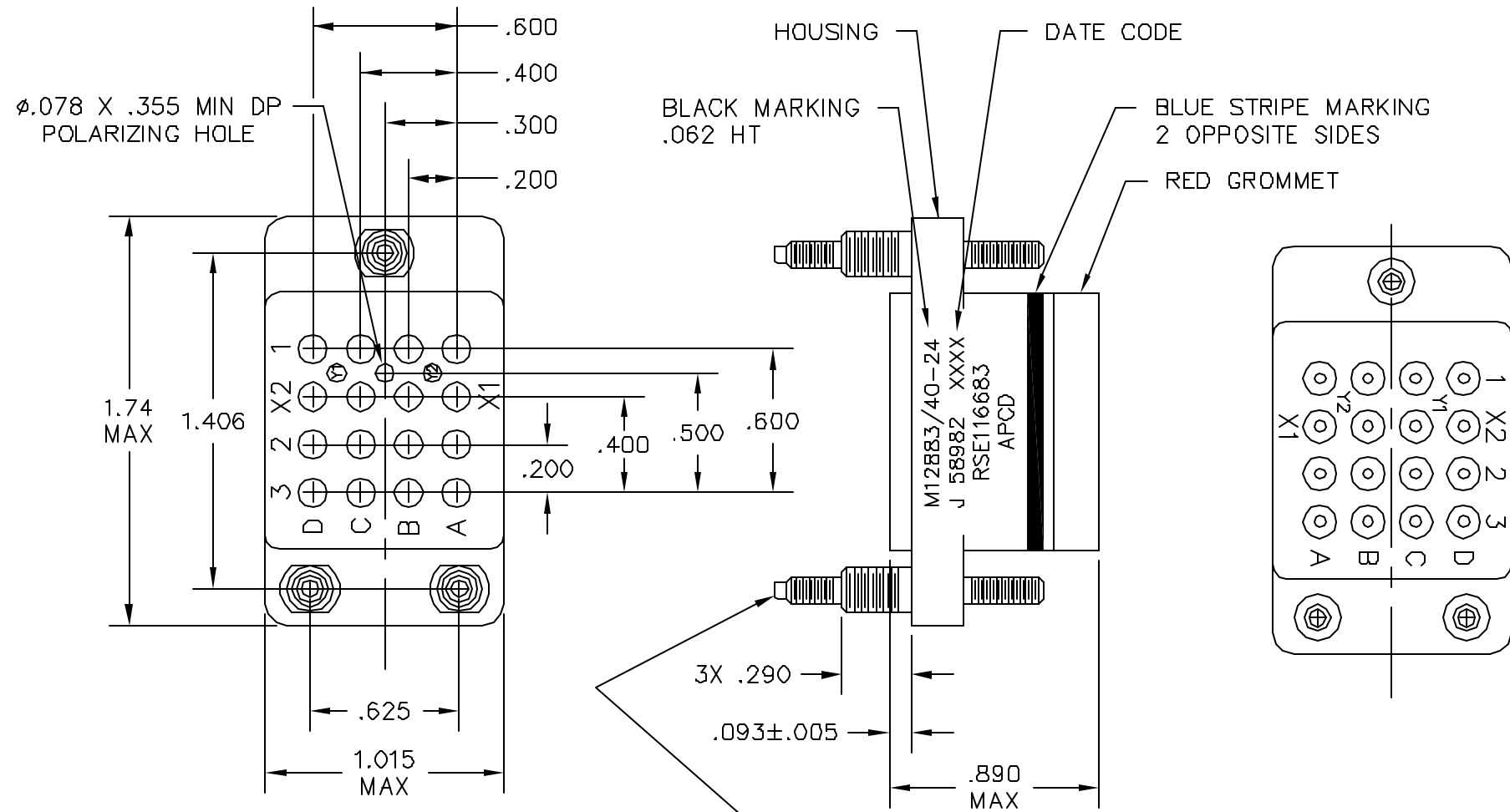
Tel: +86-755-8981 8866 Fax: +86-755-8427 6832

Email & Skype: info@chipsmall.com Web: www.chipsmall.com

Address: A1208, Overseas Decoration Building, #122 Zhenhua RD., Futian, Shenzhen, China



REV	ECN	APP'D
-	5484	JT 6/28/04



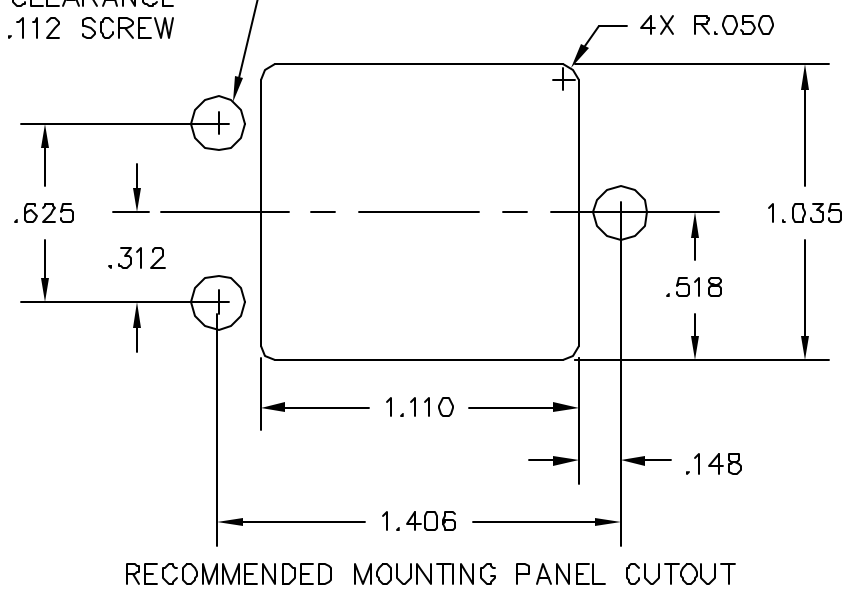
MOUNTING INSTRUCTIONS

- NOTES:
1. CONFORMS TO PERFORMANCE REQUIREMENTS OF MIL-PRF-12883.
 2. MATERIALS:
 - A. HOUSING - POLYETHERIMIDE, COLOR: BLUE-GREEN.
 - B. GROMMET - SILICONE ELASTOMER, 50±10 DUROMETER, COLOR: RED.
 3. SOCKET CONTACTS CONFORM TO PERFORMANCE REQUIREMENTS OF MIL-C-39029, GOLD OVER NICKEL PLATE - SEE TABLE.
 4. COMPLETE MOUNTING HARDWARE SUPPLIED.
 5. OPERATING TEMPERATURE: +125°C/-65°C CONTINUOUS.
 6. CONTACT INSTALLATION TOOLS:

CRIMP TOOL: #16 CONTACT M22520/1-01
 POSITIONER: M22520/1-02
 INSERTION/REMOVAL: M81969/14-03.

3X FIXED STUD
 STUD RETENTION FORCES:
 AXIAL - 100 LB MIN.
 TORQUE - 24 IN.-LB MIN
 APPLIED TO 10-32.

BOTTOM MOUNT-CLEARANCE HOLE FOR .190 SCREW
 TOP MOUNT-CLEARANCE HOLE FOR .112 SCREW



PART NO.	CONTACTS SUPPLIED	MARKING
RSE116682	NONE	RSE116683
RSE116683	(14) SIZE 16/16, M39029/92-533	

DIMENSIONS ANSI Y14.5M UNITS: INCHES ACAD FILE	TOLERANCES .XX ±.01 .XXX ±.005 ANGLES ±2°	PROJECTION 	Amphenol Pcd				
			SPECIFICATION DRAWING				
			ENGR S. KONDO 6/25/2004				
ORIGINAL	THIS DOCUMENT CONTAINS PROPRIETARY INFORMATION WHICH IS THE CONFIDENTIAL PROPERTY OF AMPHENOL PCD INC. PEABODY, MA		CHKD R. NEWMAN 6/28/04		SIZE B	DWG NO. RSE116682	REV -
			APPD J. TON 6/28/04		CODE: 58982	SCALE: 3:2	SHEET 1 OF 1

TITLE
 RELAY SOCKET,
 16 POS, SIZE 16,
 M12883/40-24

RSE116682

RSE116682