



Chipsmall Limited consists of a professional team with an average of over 10 year of expertise in the distribution of electronic components. Based in Hongkong, we have already established firm and mutual-benefit business relationships with customers from,Europe,America and south Asia,supplying obsolete and hard-to-find components to meet their specific needs.

With the principle of “Quality Parts,Customers Priority,Honest Operation,and Considerate Service”,our business mainly focus on the distribution of electronic components. Line cards we deal with include Microchip,ALPS,ROHM,Xilinx,Pulse,ON,Everlight and Freescale. Main products comprise IC,Modules,Potentiometer,IC Socket,Relay,Connector.Our parts cover such applications as commercial,industrial, and automotives areas.

We are looking forward to setting up business relationship with you and hope to provide you with the best service and solution. Let us make a better world for our industry!



## Contact us

Tel: +86-755-8981 8866 Fax: +86-755-8427 6832

Email & Skype: info@chipsmall.com Web: www.chipsmall.com

Address: A1208, Overseas Decoration Building, #122 Zhenhua RD., Futian, Shenzhen, China



# MIL-PRF-12883/41

## Extended Height RSL 2 Pole/10 Amp

### Relay Sockets



Mates with M83536, M6106 Relays

#### Operating Range

**Temperature:**

-65°C to 125°C

**Insulation Resistance:**

1000 Megaohms Min.

**Dielectric Withstanding Voltage:**

1500 VRMS at Sea Level

500 VRMS at 80,000 ft.

**Vibration:**

MIL-STD-202, Method 204

Test Condition G

**Shock:**

MIL-STD-202, Method 213

Test Condition C

#### Materials

**Module Body:**

Polyetherimide per ASTM-D5205

**Grommet:**

Silicone Rubber per A-A-59588

**Hardware:**

Stainless Steel or Steel w/

Cadmium Chromate Finish

**Contact Retainers:**

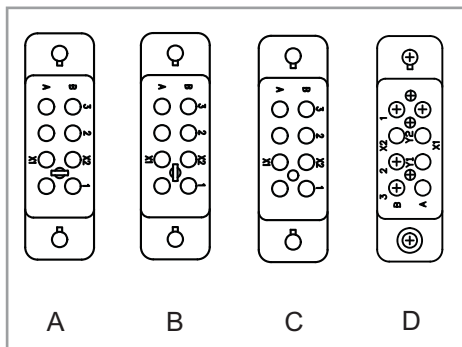
Stainless Steel

**Socket Contacts:**

Stainless Steel, Hard Gold Plated in

Accordance with SAE-AMS-2422

### Socket Configurations



### Extended Height Relay Sockets

| MIL P/N<br>M12883 | APCD<br>P/N | Mounting<br>Stud | QTY | Size* | Contact<br>P/N | Config. | Mating Relay   |
|-------------------|-------------|------------------|-----|-------|----------------|---------|--|
| /41-01            | RSL116091   | Loose            | 8   | 16/16 | /5-116         | C       | M83536/9-006, 015, 024, 035<br>M83536/10-006, 015, 024, 034, 038 |
| /41-02            | RSL116093   | Loose            | 8   | 16/16 | /5-116         | B       | M83536/11-002, 004, 007  |
| /41-03            | RSL116095   | Loose            | 8   | 16/16 | /5-116         | A       | Leach Corp JA-D4E & J  |
| /41-04            | RSL116097   | Loose            | 8   | 16/20 | /5-117         | C       | M83536/9-006, 015, 024, 035<br>M83536/10-006, 015, 024, 034, 038 |
| /41-06            | RSL116063   | Fixed            | 8   | 16/16 | /5-116         | C       | M83536/9-006, 015, 024, 035<br>M83536/10-006, 015, 024, 034, 038 |
| /41-07            | RSL116065   | Fixed            | 8   | 16/16 | /5-116         | B       | M83536/11-002, 004, 007  |
| /41-08            | RSL116067   | Fixed            | 8   | 16/16 | /5-116         | A       | Leach Corp JA-D4E & J  |
| /41-09            | RSL116069   | Fixed            | 8   | 16/20 | /5-117         | C       | M83536/9-006, 015, 024, 035<br>M83536/10-006, 015, 024, 034, 038 |
| /41-05            | RSL116099   | Loose            | 8   | 16/16 | /5-116         | D       | M83536/13-002,-005,-008,-012<br>M83536/13-002,-005,-008,-012     |
|                   |             |                  | 2   | 22/22 | /101-553       |         |  |
| /41-10            | RSL116071   | Fixed            | 8   | 16/16 | /5-116         | D       | M83536/13-002,-005,-008,-012<br>M83536/13-002,-005,-008,-012     |
|                   |             |                  | 2   | 22/22 | /101-553       |         |  |

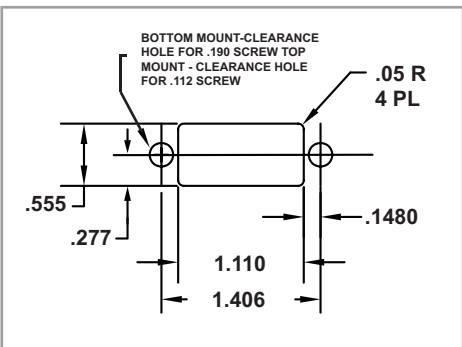
\*Mating End / Wire Barrel

Mounting instructions can be found on page 25

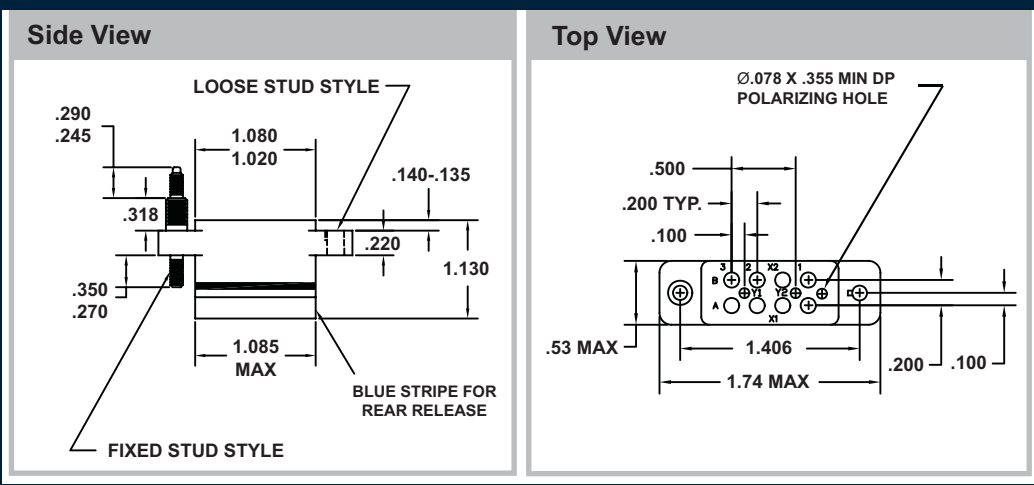
### Relay Socket Weight

| Relay Socket    | Pounds | Grams |
|-----------------|--------|-------|
| Extended Height | .073   | 33    |

### Recommended Mounting Panel Cutout



### Relay Socket Dimensions



# MIL-PRF-12883/41

## Low Profile RSE 2 Pole/10 Amp

### Operating Range

#### Temperature:

-65°C to 125°C

#### Insulation Resistance:

1000 Megaohms Min.

#### Dielectric Withstanding Voltage:

1500 VRMS at Sea Level

500 VRMS at 80,000 ft.

#### Vibration:

MIL-STD-202, Method 204

Test Condition G

#### Shock:

MIL-STD-213, Method 213

Test Condition C

### Materials

#### Module Body:

Polytherimide per ASTM-D5205

#### Grommet:

Silicone Rubber per A-A-59588

#### Hardware:

Stainless Steel or Steel w/

Cadmium Chromate Finish

#### Contact Retainers:

Stainless Steel

#### Socket Contacts:

Copper Alloy, Hard Gold Plated in

Accordance with SAE-AMS 2422



Mates with M83536, M6106 Relays

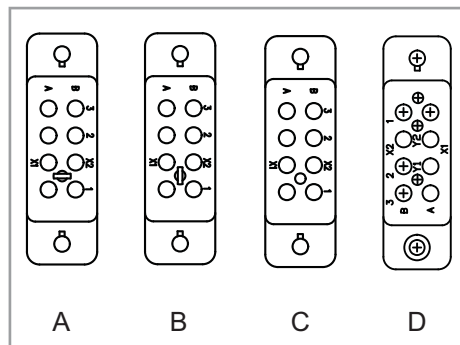
### Low Profile Relay Sockets

| MIL P/N<br>M12883 | APCD<br>P/N | Mounting<br>Stud | QTY | Size* | Contact<br>P/N | Config. | Mating Relay   |
|-------------------|-------------|------------------|-----|-------|----------------|---------|--|
| /40-11            | RSE116685   | Loose            | 8   | 16/16 | /92-533        | C       | M83536/9-006, 015, 024, 035<br>M83536/10-006, 015, 024, 034, 038 |
| /40-12            | RSE116687   | Loose            | 8   | 16/16 | /92-533        | B       | M83536/11-002, 004, 007  |
| /40-13            | RSE116691   | Loose            | 8   | 16/16 | /92-533        | A       | Leach Corp JA-D4E & J  |
| /40-14            | RSE116693   | Loose            | 8   | 16/20 | /92-534        | C       | M83536/9-006, 015, 024, 035<br>M83536/10-006, 015, 024, 034, 038 |
| /40-16            | RSE116695   | Fixed            | 8   | 16/16 | /92-533        | C       | M83536/9-006, 015, 024, 035<br>M83536/10-006, 015, 024, 034, 038 |
| /40-17            | RSE116697   | Fixed            | 8   | 16/16 | /92-533        | B       | M83536/11-002, 004, 007  |
| /40-18            | RSE116699   | Fixed            | 8   | 16/16 | /92-533        | A       | Leach Corp JA-D4E & J  |
| /40-19            | RSE116701   | Fixed            | 8   | 16/20 | /92-534        | C       | M83536/9-006, 015, 024, 035<br>M83536/10-006, 015, 024, 034, 038 |
| /41-15            | RSE116693   | Loose            | 8   | 16/16 | /92-553        | D       | M83536/13-002,-005,-008,-012<br>M83536/13-002,-005,-008,-012     |
|                   |             |                  | 2   | 22/22 | /92-551        |         |  |
| /41-20            | RSE116703   | Fixed            | 8   | 16/16 | /92-553        | D       | M83536/13-002,-005,-008,-012<br>M83536/13-002,-005,-008,-012     |
|                   |             |                  | 2   | 22/22 | /92-551        |         |  |

\*Mating End / Wire Barrel

Mounting instructions can be found on page 26

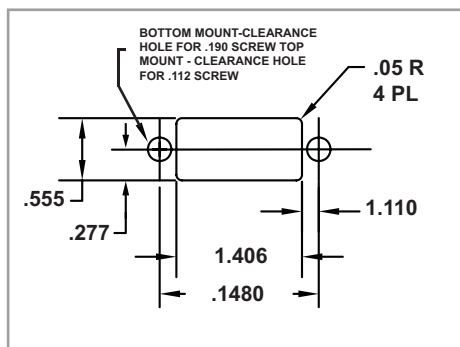
### Socket Configurations



### Relay Socket Weight

| Relay Socket | Pounds | Grams |
|--------------|--------|-------|
| Low Profile  | .055   | 25    |

### Recommended Mounting Panel Cutout



### Relay Socket Dimensions

