



Chipsmall Limited consists of a professional team with an average of over 10 year of expertise in the distribution of electronic components. Based in Hongkong, we have already established firm and mutual-benefit business relationships with customers from,Europe,America and south Asia,supplying obsolete and hard-to-find components to meet their specific needs.

With the principle of “Quality Parts,Customers Priority,Honest Operation,and Considerate Service”,our business mainly focus on the distribution of electronic components. Line cards we deal with include Microchip,ALPS,ROHM,Xilinx,Pulse,ON,Everlight and Freescale. Main products comprise IC,Modules,Potentiometer,IC Socket,Relay,Connector.Our parts cover such applications as commercial,industrial, and automotives areas.

We are looking forward to setting up business relationship with you and hope to provide you with the best service and solution. Let us make a better world for our industry!



## Contact us

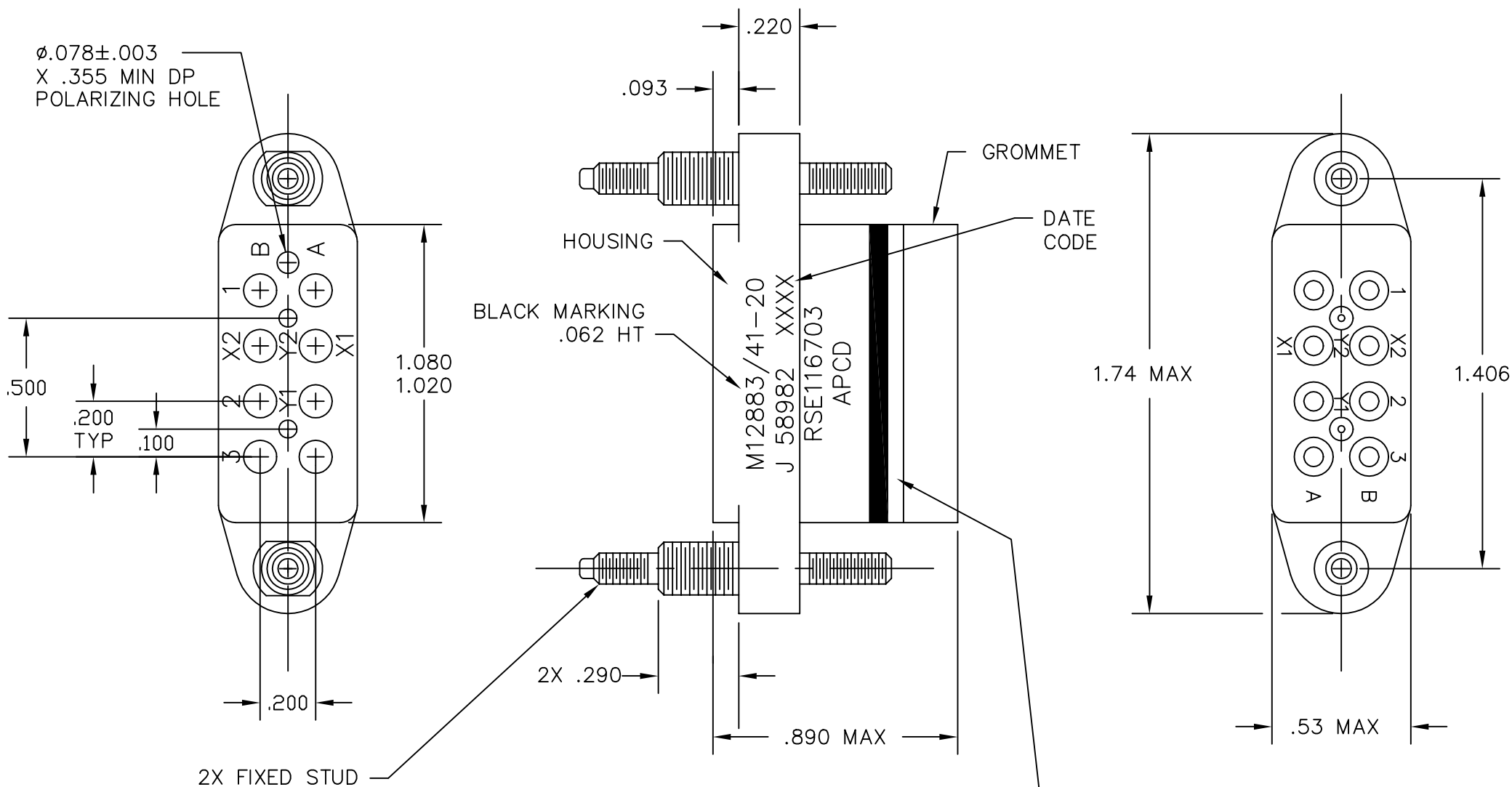
Tel: +86-755-8981 8866 Fax: +86-755-8427 6832

Email & Skype: info@chipsmall.com Web: www.chipsmall.com

Address: A1208, Overseas Decoration Building, #122 Zhenhua RD., Futian, Shenzhen, China

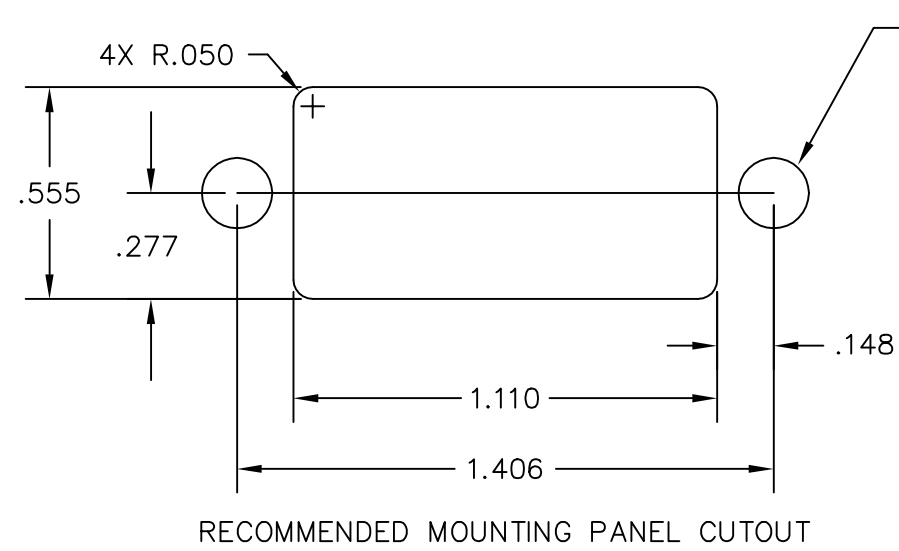


REV	ECN	APP'D
-	5465	JT 5/27/04
H	5519	SK 9/21/04



- NOTES:
- PART MEETS REQUIREMENTS PER MIL-PRF-12883.
  - MATERIALS:  
 SOCKET BODY: POLYETHERIMIDE PER MIL-P-46184  
 GROMMET: SILICONE RUBBER PER ZZ-R-765  
 HARDWARE: CRES STEEL AND STEEL CADMIUM CHROMATE FINISH  
 CONTACT RETAINERS: BERYLLIUM COPPER  
 SOCKET CONTACTS: COPPER ALLOY, HARD GOLD PLATED PER MIL-G-45204
  - OPERATING RANGE  
 TEMPERATURE: -65°C TO 125°C  
 INSULATION RESISTANCE: 1000 MEGOHMS MIN.  
 DIELECTRIC WITHSTANDING VOLTAGE:  
 1500 VRMS AT SEA LEVEL,  
 500 VRMS AT 80,000 FT. ALTITUDE  
 VIBRATION: MIL-STD-202, METHOD 204, TEST CONDITION G  
 SHOCK: MIL-STD-202, METHOD 213, TEST CONDITION C
  - PART SUPPLIED WITH MOUNTING HARDWARE
  - PART SUPPLIED WITH CONTACTS PER TABLE BELOW

PART NO.	CONTACTS SUPPLIED	MARKING
RSE116702	NONE	RSE116703
RSE116703	(8) SIZE 16/16, (2) SZ 22/22	



BOTTOM MOUNT-CLEARANCE HOLE FOR .190 SCREW  
 TOP MOUNT-CLEARANCE HOLE FOR .112 SCREW

DIMENSIONS ANSI Y14.5M UNITS: INCHES ACAD FILE	TOLERANCES .XX ±.01 .XXX ±.010 ANGLES ±2°	PROJECTION 	<b>Amphenol Pcd</b> SPECIFICATION DRAWING ENGR S. KONDO 5/27/04 CHKD R. NEWMAN 5/27/04 APPD J. TON 5/27/04
ORIGINAL	THIS DOCUMENT CONTAINS PROPRIETARY INFORMATION WHICH IS THE CONFIDENTIAL PROPERTY OF AMPHENOL PCD INC. PEABODY, MA		

TITLE RELAY SOCKET M12883/41-20 (8) SIZE 16, (2) SIZE 22		
SIZE B	DWG NO. RSE116702	REV H
CODE: 58982	SCALE: 2X	SHEET 1 OF 1

RSE116702

RSE116702