



Chipsmall Limited consists of a professional team with an average of over 10 year of expertise in the distribution of electronic components. Based in Hongkong, we have already established firm and mutual-benefit business relationships with customers from,Europe,America and south Asia,supplying obsolete and hard-to-find components to meet their specific needs.

With the principle of “Quality Parts,Customers Priority,Honest Operation,and Considerate Service”,our business mainly focus on the distribution of electronic components. Line cards we deal with include Microchip,ALPS,ROHM,Xilinx,Pulse,ON,Everlight and Freescale. Main products comprise IC,Modules,Potentiometer,IC Socket,Relay,Connector.Our parts cover such applications as commercial,industrial, and automotives areas.

We are looking forward to setting up business relationship with you and hope to provide you with the best service and solution. Let us make a better world for our industry!



## Contact us

Tel: +86-755-8981 8866 Fax: +86-755-8427 6832

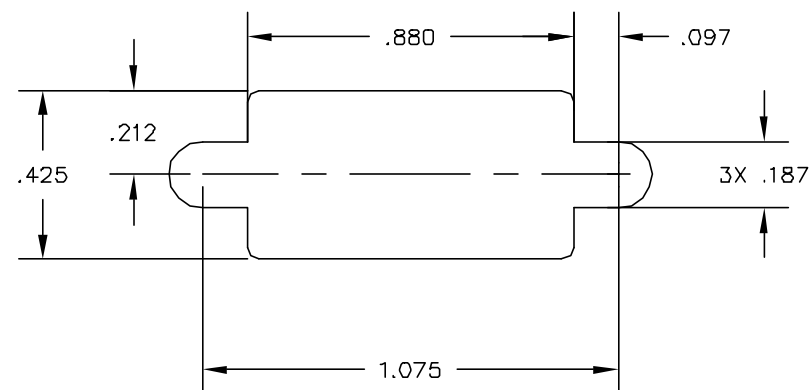
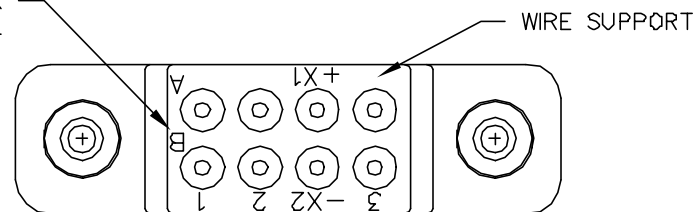
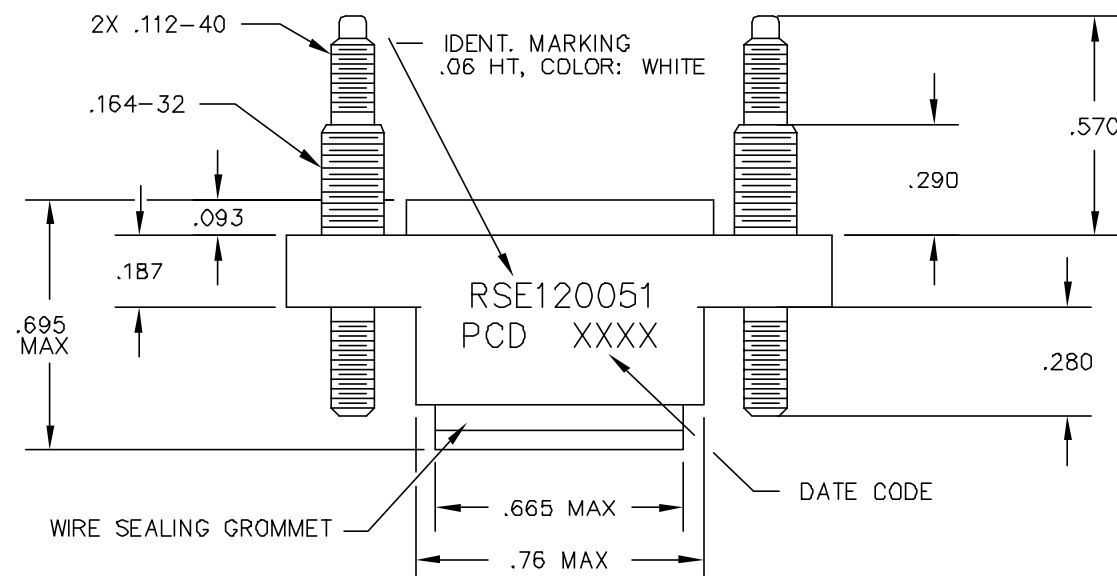
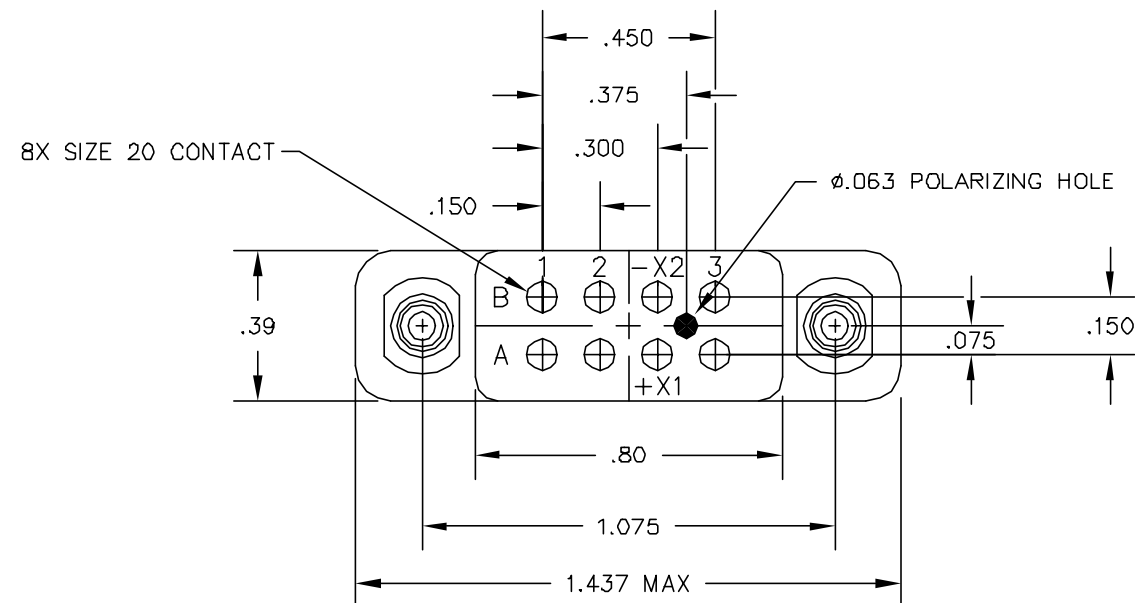
Email & Skype: info@chipsmall.com Web: www.chipsmall.com

Address: A1208, Overseas Decoration Building, #122 Zhenhua RD., Futian, Shenzhen, China

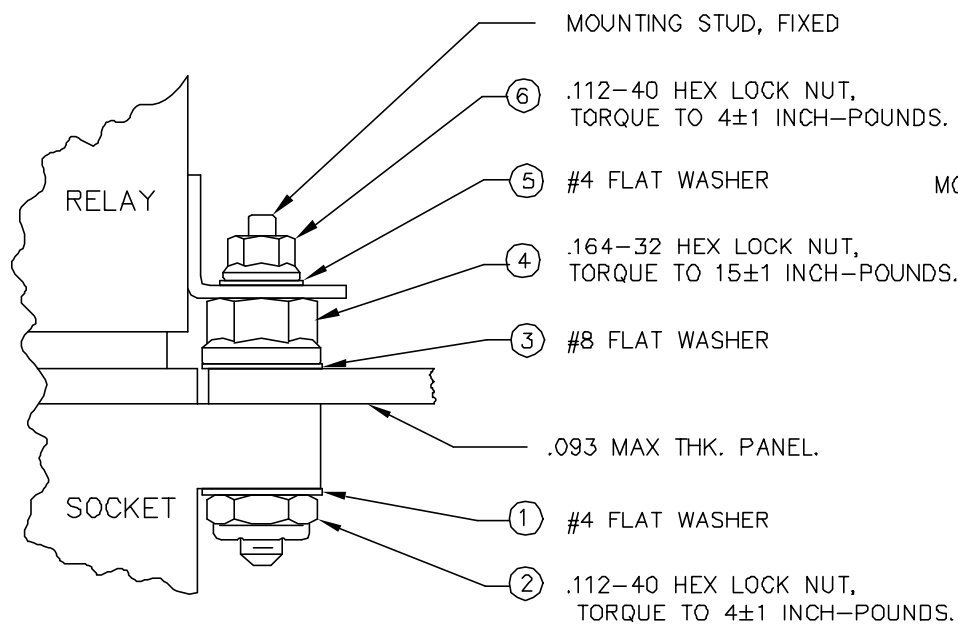


REV	ECN	APP'D
L	3629	
M	5430	
N	5579	

BILL OF MATERIAL		
P/N	DESCRIPTION	QTY
200002701	HEX NUT DLF LKG 4-40 #501	2
200003801	HEX NUT SLF LKG #4-40 #704	2
200001201	HEX NUT SLF-LKG 8-32	2
200002801	FLT WASHER #4 PSVTD #504	2
200004001	FLT WASHER # 8 PSVTD #501	2
200000401	FLT WSHR #4 SPCL #708	2
005111400	3.5"DRAM UNCAPPED VIAL/CAP	1
CNS070900	M39029/22-192 CONTACT SZ20/20	8



RECOMMENDED MOUNTING PANEL HOLE



MOUNTING HARDWARE

INSTALLATION SEQUENCE BY ITEM NUMBER  
TYP 2 PLACES

- NOTES:
- CONFORMS TO PERFORMANCE REQUIREMENTS OF MIL-S-12883.
  - MATERIALS:
    - A. HOUSING AND WIRE SUPPORT- POLYETHERIMIDE, COLOR: BLUE-GREEN.
    - B. GROMMET - SILICONE ELASTOMER, COLOR: RED.
  - COMPLETE MOUNTING HARDWARE SUPPLIED.
  - SOCKET CONTACTS SUPPLIED: (8) SZ 20/20, P/N CNS070900.
  - OPERATING TEMPERATURE: +125°C/-65°C CONTINUOUS.
  - CONTACT INSTALLATION TOOLS:
    - CRIMP TOOL: M22520/7-01
    - POSITIONER: M22520/7-12
    - INSERTION/REMOVAL: M81969/16-01.

DIMENSIONS ANSI Y14.5M UNITS: INCHES ACAD FILE	TOLERANCES .XX ±.01 .XXX ±.005 ANGLES ±2°	PROJECTION 	SPECIFICATION DRAWING		TITLE RELAY SOCKET 2 POLE, 5 AMP 8 POS, SIZE 20
			ENGR A. PATRIE 8/13/97		
ORIGINAL	THIS DOCUMENT CONTAINS PROPRIETARY INFORMATION WHICH IS THE CONFIDENTIAL PROPERTY OF PCD, INC. PEABODY, MA, USA	CHKD J. RUTKOWSKI 8/13/97	SIZE B	DWG NO. RSE120051	REV N
			APPD J.E. CAHALY 8/14/97	CODE: 58982	SCALE: 2X