



Chipsmall Limited consists of a professional team with an average of over 10 year of expertise in the distribution of electronic components. Based in Hongkong, we have already established firm and mutual-benefit business relationships with customers from,Europe,America and south Asia,supplying obsolete and hard-to-find components to meet their specific needs.

With the principle of “Quality Parts,Customers Priority,Honest Operation,and Considerate Service”,our business mainly focus on the distribution of electronic components. Line cards we deal with include Microchip,ALPS,ROHM,Xilinx,Pulse,ON,Everlight and Freescale. Main products comprise IC,Modules,Potentiometer,IC Socket,Relay,Connector.Our parts cover such applications as commercial,industrial, and automotives areas.

We are looking forward to setting up business relationship with you and hope to provide you with the best service and solution. Let us make a better world for our industry!



Contact us

Tel: +86-755-8981 8866 Fax: +86-755-8427 6832

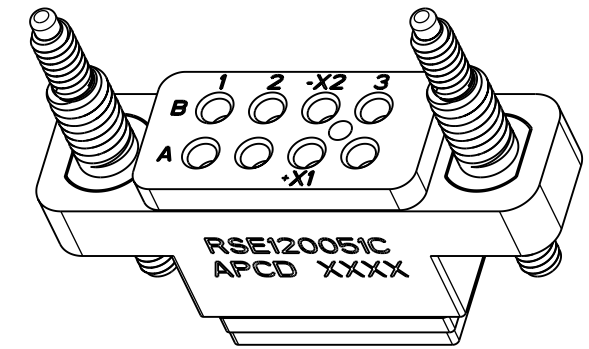
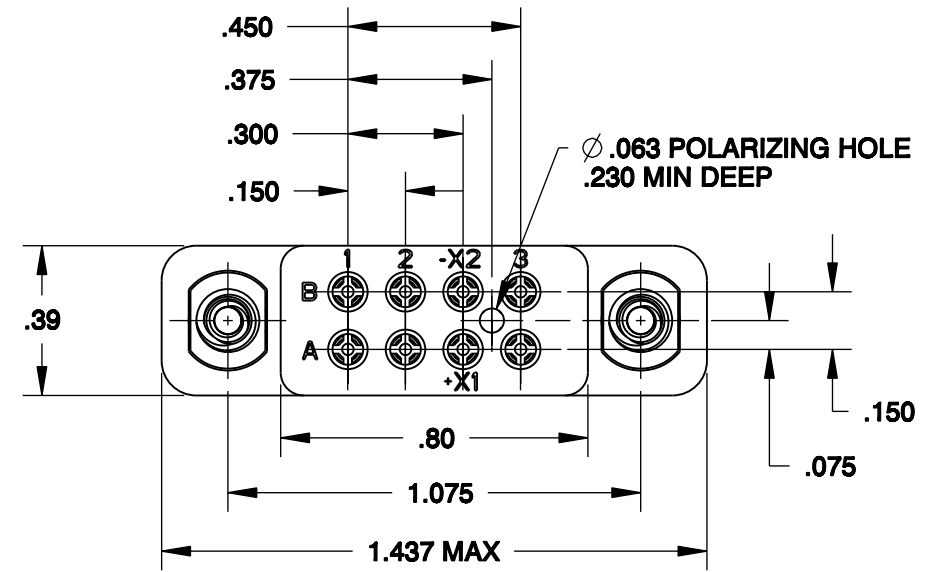
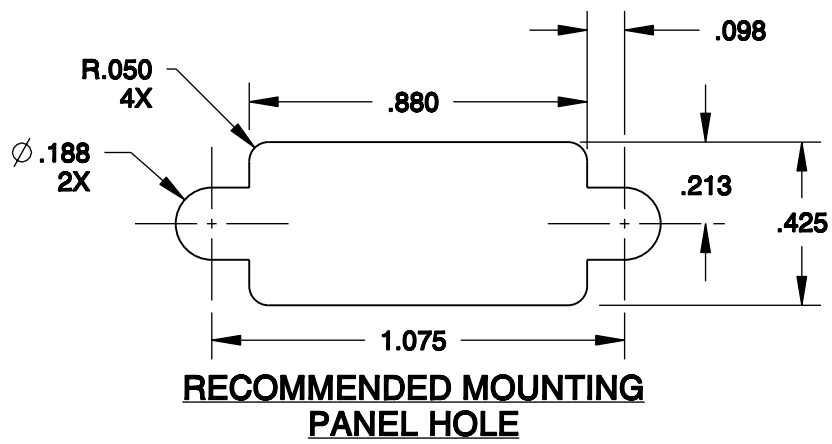
Email & Skype: info@chipsmall.com Web: www.chipsmall.com

Address: A1208, Overseas Decoration Building, #122 Zhenhua RD., Futian, Shenzhen, China



RSE120051C

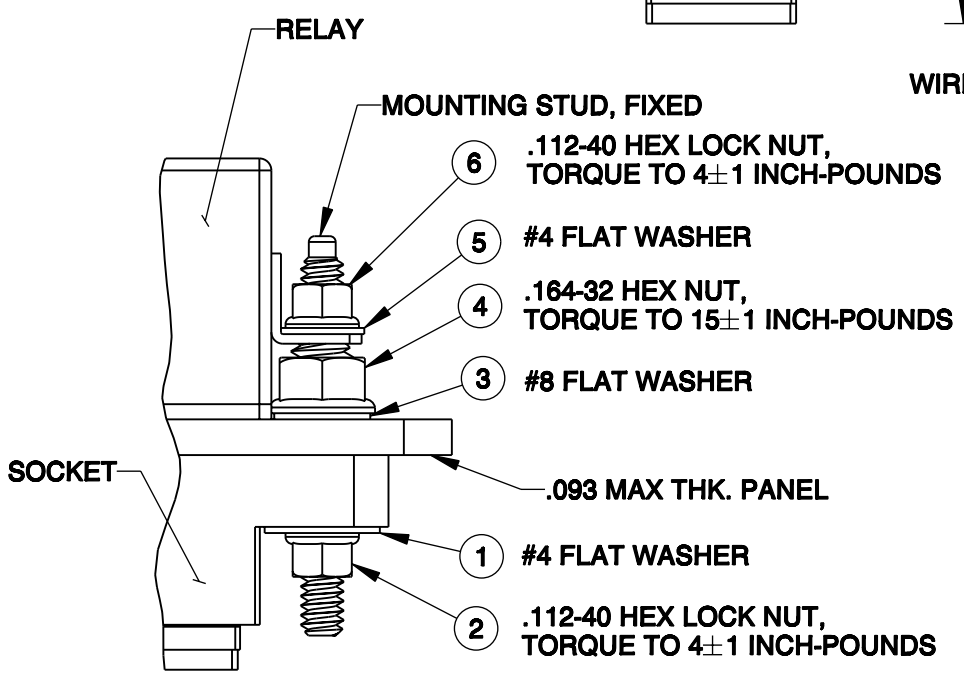
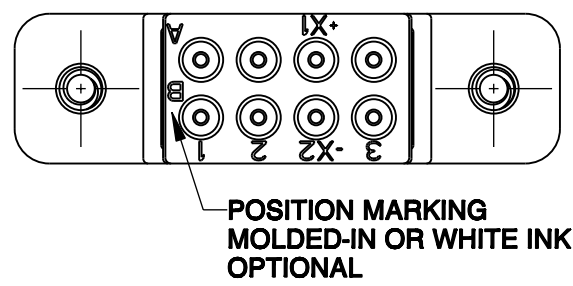
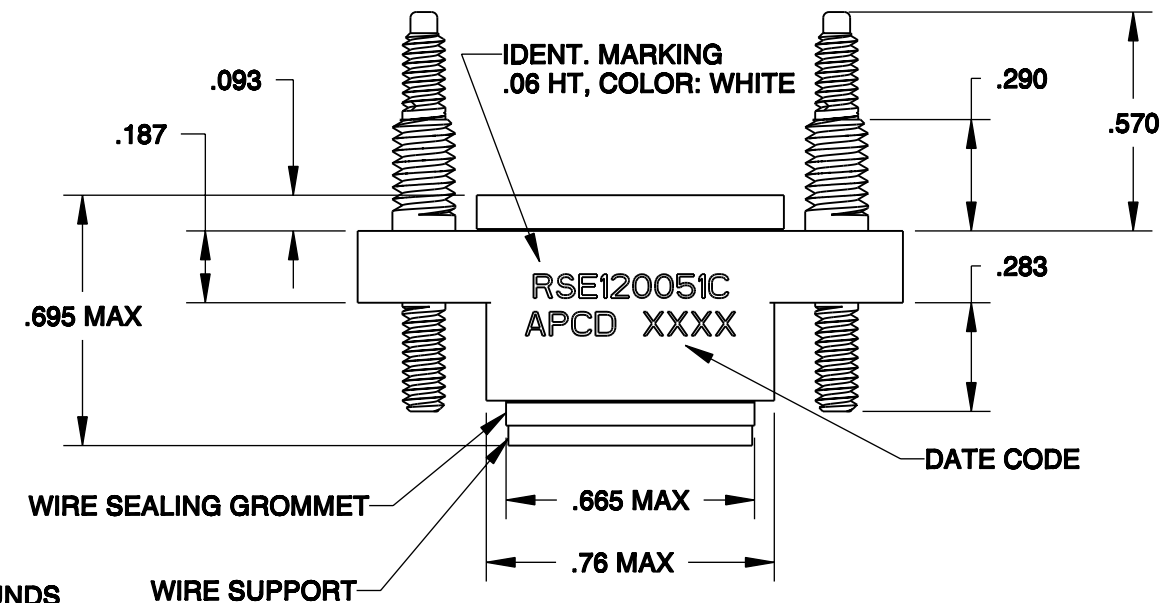
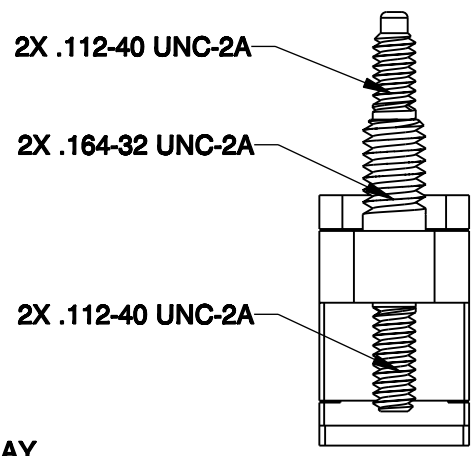
REV	ECN	APP'D
-	3709	JC 3/26/99
A	5252	JT 6/5/03
B	5460	JT 5/24/04
C	5579	JT 01/06/05
D	5582	



- NOTES:**
- CONFORMS TO PERFORMANCE REQUIREMENTS OF MIL-S-12883.
 - MATERIALS:**
HOUSING AND WIRE SUPPORT: POLYETHERIMIDE
COLOR: BLUE-GREEN
GROMMET: SILICONE ELASTOMER, COLOR: RED
 - COMPLETE MOUNTING HARDWARE SUPPLIED PER TABLE.
 - SOCKET CONTACTS SUPPLIED PER TABLE.
 - OPERATING TEMPERATURE: +125° C / -65° C CONTINUOUS.
 - CONTACT INSTALLATION TOOLS:
CRIMP TOOL: M22520/7-01
POSITIONER: M22520/7-12
INSERTION/REMOVAL: M81969/16-01

RSE120051C

RSE120051C



**MOUNTING HARDWARE
INSTALLATION SWQUENCE BY ITEM NUMBER
TYP 2 PLACES**

BILL OF MATERIALS		
APCD P/N	DESCRIPTION	QTY.
200003801	HEX NT SLF-LCKG 4-40 #704	4
200000401	FLT WSHR #4 SPCL #706	2
200007201	HEX NUT SLF-LCKG #8-32	2
200004001	FLT WSHR #8 PSVTD #501	2
200002801	FLT WSHR #4 PSTVD #504	2
CNS101553	M39029/101-553 CONTACT SZ20/20	8

DIMENSIONS ANSI Y14.5M UNITS: INCHES Pro/E FILE	TOLERANCES .XX ±0.01 .XXX ±0.005 ANGLES ±2.0°	PROJECTION 	Amphenol Pcd SPECIFICATION DRAWING ENGR A. PATRIE 03/25/99 CHKD J. RUTKOWSKI APPD J. TON 06/05/03
ORIGINAL	THIS DOCUMENT CONTAINS PROPRIETARY INFORMATION WHICH IS THE CONFIDENTIAL PROPERTY OF PCD, INC. PEABODY, MA, USA		

TITLE RELAY SOCKET, EMBRAER, 2- POLE, 8 POSITION, 5-AMP, SIZE 20			
SIZE B	DWG NO. RSE120051C	REV D	
CODE: 58982	SCALE: 2:1	SHEET 1 OF 1	